

Model # MPOP78, MPOP1732

OILTIGHT PUNCHES WITH NOTCHES

Special application punches



southwiretools.com

BUILT FOR DURABILITY. BUILT FOR RELIABILITY.
BUILT FOR WORK.



Southwire™

Model # MPOP78, MPOP1732
OILTIGHT PUNCHES WITH NOTCHES

AVAILABILITY

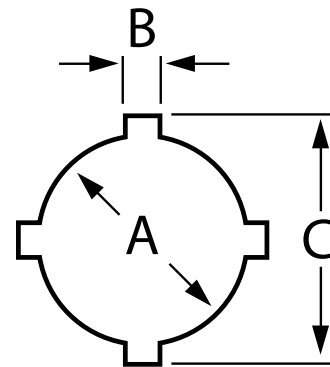
- Model #MPOP78, Stock #58142201, 7/8" (22.5mm)
Oiltight punch with notches
- Model #MPOP1732, Stock #58142301, 1 7/32" (30.5mm)
Oiltight punch with notches

UNITS INCLUDE

- Punch, die, draw stud and nut

SPECIFICATIONS

MODEL #	STOCK #	DETAILS		
MPOP78	58142201	7/8" OILTIGHT PUNCH		
MPOP1732	58142301	1 7/32" OILTIGHT PUNCH		
HOLE SIZE	INCH	A	B	C
MPOP78		.875	.125	1.000
MPOP1732		1.210	.190	1.380
HOLE SIZE	MM	A	B	C
MPOP78		22.5	3.2	25.4
MPOP1732		30.5	4.8	36.0
MAXIMUM CAPACITY MILD STEEL			GA	MM
MPOP78			14	2.0
MPOP1732			10	3.5



Southwire Company
One Southwire Drive
Carrollton, GA 30119



Southwire™



Scan code to see more
Southwire Tools
southwiretools.com

Customer Service: 1-855-SWTOOLS (855-798-6657)