

**PROLINE G2 SWING-OUT PANEL**

**APPLICATION**

The PROLINE G2 Swing-Out Mounting Subpanel (Mounting Plate) allows a front-mounted subpanel to pivot out of a modular enclosure frame opening.

**FEATURES**

- Panels provide 170 degrees of rotation, with capability to hinge from the right or left side
- Spring-loaded pivot post allows for easy installation

**FINISH**

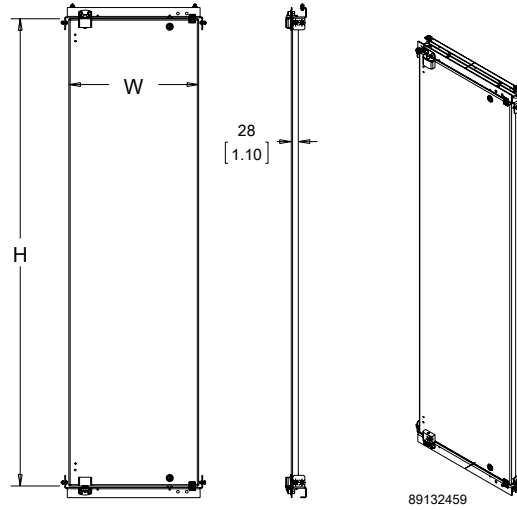
Painted versions:

- Painted polyester powder paint; white
- Custom colors available

**BULLETIN: P40**

**Standard Product**

Catalog Number	Fits Nominal Frame H x W	Finish
P2PS066	600 x 600	Painted
P2PS066G	600 x 600	Plated
P2PS068	600 x 800	Painted
P2PS068G	600 x 800	Plated
P2PS086	800 x 600	Painted
P2PS086G	800 x 600	Plated
P2PS088	800 x 800	Painted
P2PS088G	800 x 800	Plated
P2PS0106	1000 x 600	Painted
P2PS0106G	1000 x 600	Plated
P2PS0108	1000 x 800	Painted
P2PS0108G	1000 x 800	Plated
P2PS0126	1200 x 600	Painted
P2PS0126G	1200 x 600	Plated
P2PS0128	1200 x 800	Painted
P2PS0128G	1200 x 800	Plated
P2PS0146	1400 x 600	Painted
P2PS0146G	1400 x 600	Plated
P2PS0148	1400 x 800	Painted
P2PS0148G	1400 x 800	Plated
P2PS0166	1600 x 600	Painted
P2PS0166G	1600 x 600	Plated
P2PS0168	1600 x 800	Painted
P2PS0168G	1600 x 800	Plated
P2PS0186	1800 x 600	Painted
P2PS0186G	1800 x 600	Plated
P2PS0188	1800 x 800	Painted
P2PS0188G	1800 x 800	Plated
P2PS0206	2000 x 600	Painted
P2PS0206G	2000 x 600	Plated
P2PS0208	2000 x 800	Painted
P2PS0208G	2000 x 800	Plated
P2PS0226	2200 x 600	Painted
P2PS0226G	2200 x 600	Plated
P2PS0228	2200 x 800	Painted
P2PS0228G	2200 x 800	Plated



Model	Component	Type	Height	Width	Specialty	Catalog Number
P2	P	SO	20	8	G	= P2PS0208G
PROLINE G2	Mounting Subpanel	Blank = full subpanel SM = full, side-mount J = joining P = partial PSM = partial, side-mount SO = swing-out	mm 22 = 2200 20 = 2000 18 = 1800 16 = 1600 14 = 1400 12 = 1200 10 = 1000 8 = 800 6 = 600	mm 18 = 1800 16 = 1600 14 = 1400 12 = 1200 10 = 1000 8 = 800 6 = 600 4 = 400	Blank = painted G = galvanized	