

PROLINE G2 FULLY-SEALED 100-MM PLINTH BASE



APPLICATION

No need to use a gland plate in the base of the enclosure with the Fully-Sealed Plinth Base (100mm Solid Base), which includes fully-sealed gland plates on the sides. Solid bases can easily be joined, for convenient cable management in joined/ganged enclosures while maintaining Type 12 environmental rating.

FEATURES

- Maintains NEMA 12 rating without requiring gland plate
- Two side gland plates for cable management options
- Cast aluminum corner blocks for superior performance under load

SPECIFICATIONS

- Optional cable gland accessory for additional cable management solutions
- 16 gauge (1.5 mm) steel
- Welded corners
- Drill points for locating casters (not included)
- Installation hardware included

EMC Fully Sealed Plinth – Additional Specifications:

- Plated to provide corrosion resistance while maintaining a metal-to-metal contact with the metal fiber gasket
- Metalized non-woven fabric EMI/RFI material covering UL94HP rated urethane foam gasket
- Plating exposed in interior and paint over plated exterior

FINISH

- Polyester powder paint; RAL 9005 textured black standard
- Dip coated primed
- Custom colors available

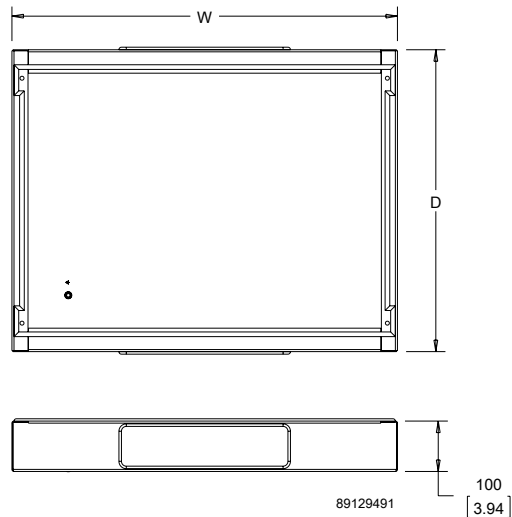
ACCESSORIES

- Solid Duro-Stand gland plates
- Vented plinth base covers
- Filtered Duro-Stand gland plates
- Plinth base stacking kit

BULLETIN: P40

Standard Product

Catalog Number	W (mm)	W (in.)	D (mm)	D (in.)	Fits Frame WxD	Description
P2B145	399	15.7	465	18.3	400x500	Painted
P2B146	399	15.7	565	22.2	400x600	Painted
P2B164	599	23.6	365	14.4	600x400	Painted
P2B165	599	23.6	465	18.3	600x500	Painted
P2B166	599	23.6	565	22.2	600x600	Painted
P2B166HF	599	23.6	565	22.2	600x600	EMC
P2B168	599	23.6	765	30.1	600x800	Painted
P2B184	799	31.5	365	14.4	800x400	Painted
P2B185	799	31.5	465	18.3	800x500	Painted
P2B186	799	31.5	565	22.2	800x600	Painted
P2B186HF	799	31.5	565	22.2	800x600	EMC
P2B188	799	31.5	765	30.1	800x800	Painted
P2B1810	799	31.5	965	38.0	800x1000	Painted
P2B1104	999	39.3	365	14.4	1000x400	Painted
P2B1105	999	39.3	465	18.3	1000x500	Painted
P2B1106	999	39.3	565	22.2	1000x600	Painted
P2B1106HF	999	39.3	565	22.2	1000x600	EMC
P2B1108	999	39.3	765	30.1	1000x800	Painted
P2B1124	1199	47.2	365	14.4	1200x400	Painted
P2B1125	1199	47.2	465	18.3	1200x500	Painted
P2B1126	1199	47.2	565	22.2	1200x600	Painted
P2B1128	1199	47.2	765	30.1	1200x800	Painted
P2B1164	1599	63.0	365	14.4	1600x400	Painted
P2B1165	1599	63.0	465	18.3	1600x500	Painted
P2B1166	1599	63.0	565	22.2	1600x600	Painted
P2B1168	1599	63.0	765	30.1	1600x800	Painted
P2B1184	1799	70.8	365	14.4	1800x400	Painted
P2B1185	1799	70.8	465	18.3	1800x500	Painted
P2B1186	1799	70.8	565	22.2	1800x600	Painted
P2B1188	1799	70.8	765	30.1	1800x800	Painted



Model	Component	Type	Height	Width	Specialty	Catalog Number
P2	B	1	20	8	Blank	= P2B186
PROLINE G2	Base	0 = solid base 0mm 1 = fully-sealed plinth P1 = plinth base 100mm P2 = plinth base 200mm GP = gland plate 8 = 800 T = transportation base 6 = 600 4 = 400 M = mobile base	mm 18 = 1800 16 = 1600 14 = 1400 12 = 1200 10 = 1000 8 = 800 6 = 600 4 = 400	mm 10 = 1000 8 = 800 6 = 600 5 = 500 4 = 400	Blank = standard HF = EMC protected G = Galvanized steel	

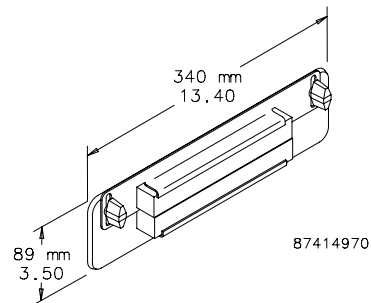
PROLINE G2 CABLE ENTRY GLAND PLATE

The Cable Entry Gland Plate fits all standard PROLINE G2 Fully-Sealed 100-mm Plinth (100-mm Solid Base) gland openings. Adjustable opening for cable entry is foam-lined to maintain a dust-tight seal. Cable Entry Plate is 14 gauge (1.75 mm) steel and finished with RAL 9005 textured black polyester powder paint.

Finish:

- Polyester powder paint; RAL 9005 textured black standard
- Dip coated primed
- Custom colors available

BULLETIN: P40



Standard Product

Catalog Number	Kit Qty.
P2ACEGP	1