

INLINE™ HMI, TYPE 4



INDUSTRY STANDARDS

UL 508A Listed; Type 4, 12; File No. E61997
 cUL Listed per CSA C22.2 No. 94; Type 4, 12; File No. E61997

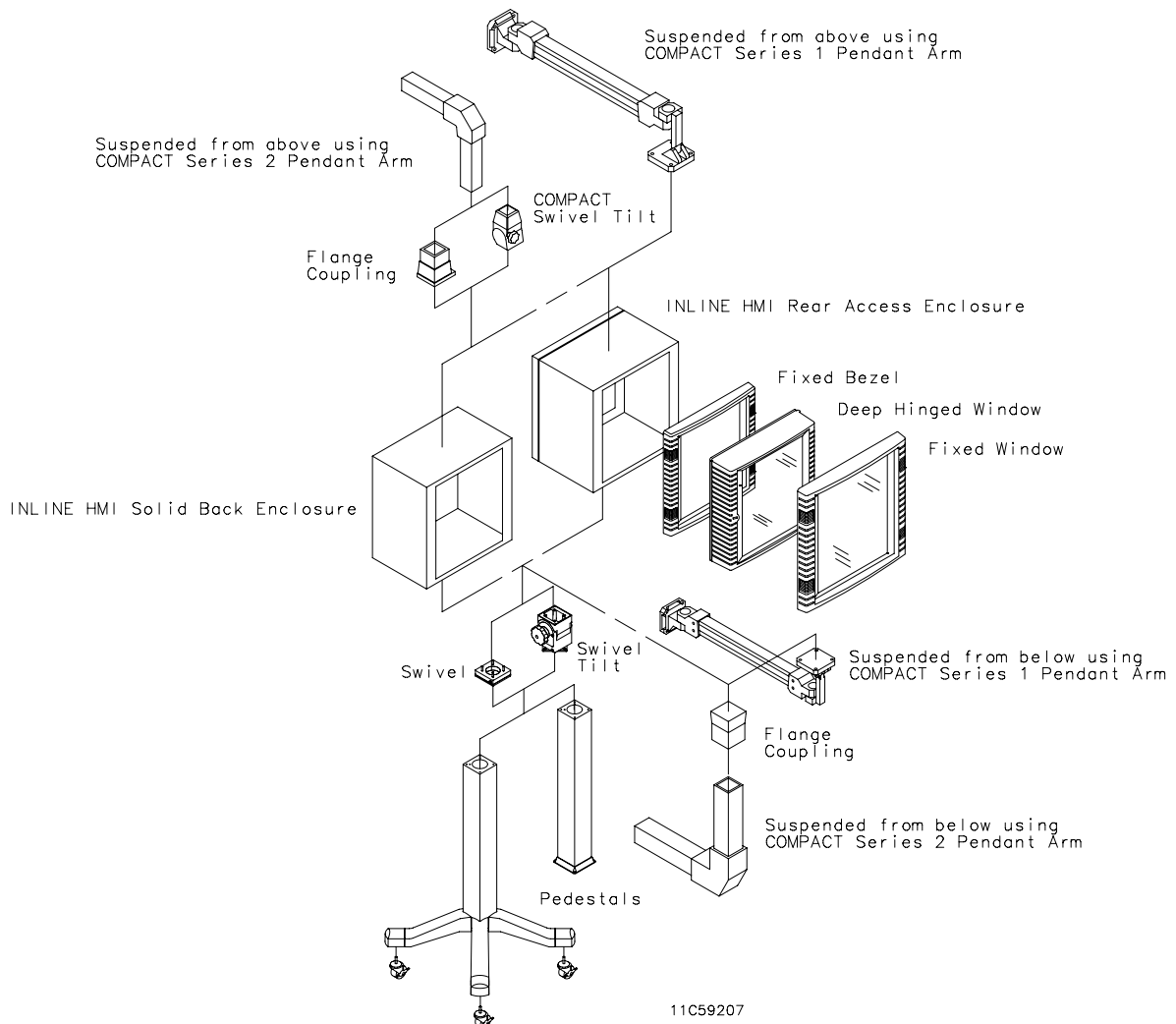
NEMA/EEMAC Type 4, 12
 CSA File Number 42186: Type 4, 12
 IEC 60529, IP66

APPLICATION

Practical functionality is the signature feature of all INLINE™ HMI enclosures. With multiple options that allow for many different configurations, these enclosures are highly adaptable and useful in applications where a protective housing is required for small HMI devices.

FINISH

RAL 7035 textured light-gray polyester powder paint inside and out over pretreated surfaces. Optional panels are white.

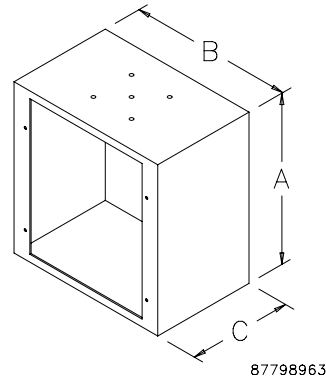


SOLID-BACK BODY

Solid-Back Body is 16 gauge steel with open front. Front is configured to install optional fixed bezel, deep-hinged window or fixed window. Panels or DIN rails mount on studs in the rear of the enclosure. Ground stud furnished. Drill points on enclosure mark location for pendant or pedestal mounting.

BULLETIN: C3

Catalog Number	AxBxC mm/in.	Description	Product Weight (lb.)
LLB161612	166 x 160 x 102 6.54 x 6.30 x 4.00	Solid-Back Body	2.7
LLB252512	250 x 250 x 102 9.84 x 9.84 x 4.02	Solid-Back Body	5.0

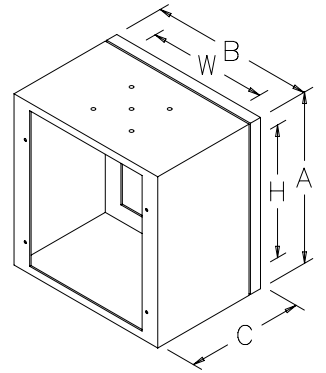


87798963

REAR-ACCESS BODY

Enclosure body is 16 gauge steel with rear-access door. Open front is configured to install optional fixed bezel, deep-hinged window or fixed window. Rear door, furnished with foam-in-place gasket and quarter-turn latch (standard slotted insert), accepts most INLINE® door accessories. Ground stud furnished. Drill points on enclosure mark location for pendant or pedestal mounting.

BULLETIN: C3



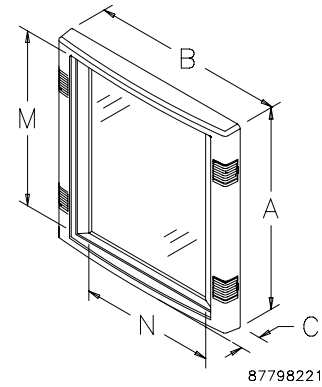
11C59208

Catalog Number	AxBxC mm/in.	Description	Rear Door Opening mm/in.	Product Weight (lb.)
LLBR161612	166 x 160 x 120 6.54 x 6.30 x 4.72	Rear Access Body	148 x 142 5.82 x 5.58	3.4
LLBR252512	250 x 250 x 120 9.84 x 9.84 x 4.72	Rear Access Body	232 x 232 9.13 x 9.13	5.7

FIXED-WINDOW KIT


Aesthetic die-cast frame has .125-in.-thick clear polycarbonate window. Preassembled kit is secured to front opening of enclosure by mounting screws. Window frame caps conceal mounting screws. Frame has RAL 7035 light-gray textured polyester powder paint finish.

BULLETIN: C3



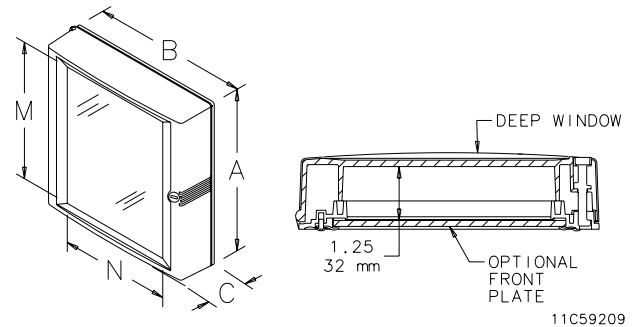
87798221

Catalog Number	AxBxC mm/in.	Window Size M x N mm/in.	Product Weight (lb.)
LWF2525	250 x 250 x 17 9.84 x 9.84 x 0.67	220 X 200 8.65 X 7.84	2.7

DEEP-HINGED WINDOW


Clear molded polycarbonate window has a 31.8-mm (1.25-in.) clear space between enclosure front opening and window surface. Space also accommodates equipment mounted on optional front plate. Window kit is hinged on left side with a 140-degree door opening and a quarter-turn slotted latch. Includes mounting hardware for window and optional front plate. Die-cast backing plate has a black polyester powder finish. This kit can be used as an accessory window kit on other Hoffman enclosures.

BULLETIN: C3



11C59209

Catalog Number	AxBxC mm/in.	Window Size M x N mm/in.	Accepts Front Plate	Product Weight (lb.)
LWHD1616	166 x 160 x 41 6.54 x 6.30 x 1.64	139 x 112 5.47 x 4.43	LFP1616	1.5
LWHD2525	250 x 250 x 41 9.84 x 9.84 x 1.64	223 x 202 8.78 x 7.97	LFP2525	2.8

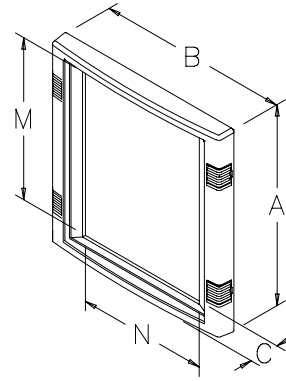
Purchase front plate separately.

FIXED HMI BEZEL



Aesthetic die-cast bezel frame accepts front plate or plates with HMI cutout. Includes gasket and mounting hardware. Furnished frame caps conceal mounting screws. Bezel has RAL 7035 light-gray textured polyester powder paint finish.

BULLETIN: C3

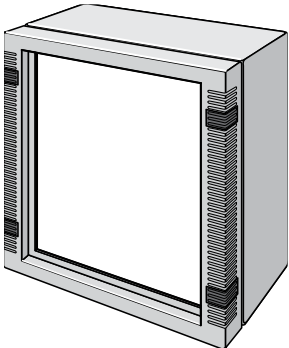


11C59640

Catalog Number	AxBxC mm/in.	Window Size		Accepts Front Plate	Product Weight (lb.)
		M x N mm/in.			
LBF1616	166 x 160 x 17	136 x 109		LFP1616	1.4
	6.54 x 6.30 x 0.67	5.35 x 4.30			
LBF2525	250 x 250 x 17	220 x 200		LFP2525	2.4
	9.84 x 9.84 x 0.67	8.65 x 7.84			

Purchase front plate separately.

FRONT PLATE, INLINE™



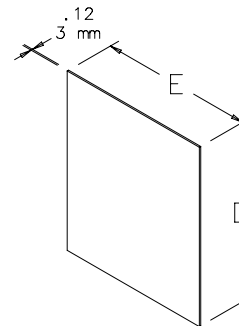
Aluminum plate is .125-in. thick. Front Plate mounts to inside of bezel or deep-hinged window. Order blank or pre-cut for HMI. (Gasket and mounting hardware are included with bezel.)

Hoffman can provide pre-configured front plates to meet your specific requirements. Contact your local Hoffman Sales Representative for more information.

BULLETIN: C3

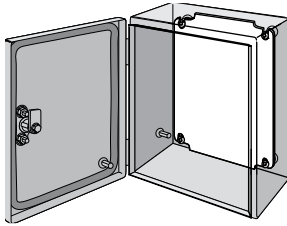
Catalog Number	D mm/in.	E mm/in.	Fits Bezel	Fits Deep Window	Product Weight (lb.)
	LFP1616	149 5.85	122 4.80	LBF1616	
LFP2525	233 9.16	212 8.34	LBF2525	LWHD2525	1.1

Purchase deep window separately.



87799030

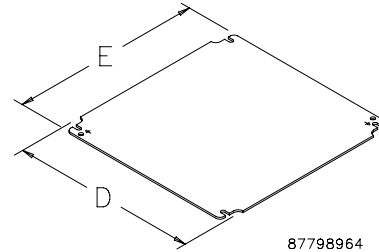
PANEL



Panel is 12 gauge steel and fits solid back body enclosures only. Panels are painted white.

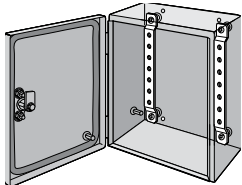
BULLETIN: A54P

Catalog Number	D mm/in.	E mm/in.	Fits INLINE HMI Enclosure	Product Weight (lb.)
LP1515	131 5.16	131 5.16	LLB161612	0.7
LP2520	231 9.09	181 7.13	LLB252512	1.8



87798964

DIN RAIL OR PANEL MOUNTING BRACKETS



Brackets provide a mounting framework for installing DIN rails or a panel. Rails (or panel) attach to the brackets and the brackets

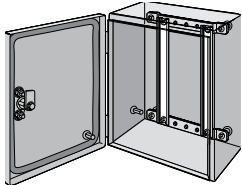
are bolted directly to the enclosure. Brackets are offset to permit additional space in front of or behind mounted equipment. Brackets are plated 12 gauge steel.

BULLETIN: A54Y

Catalog Number	Fits INLINE HMI Enclosure	Product Weight (lb.)
LMK15	LLB161612	0.5
LMK20	LLB252512	0.6
LMK25	LLB252512	0.7

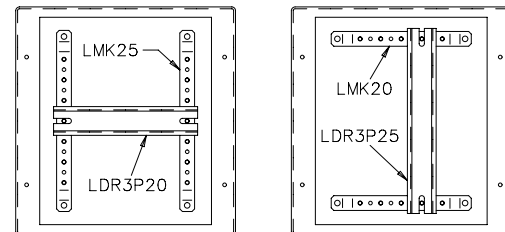
LMK20 fits horizontally. LMK25 fits vertically.

DIN TYPE RAILS



Rails furnish mounting surfaces for DIN3 mount snap-on devices. Rails attach vertically or horizontally to mounting brackets. Kit includes 4 rails, mounting hardware and installation instructions.

BULLETIN: A54Y



87799016

Catalog Number	Fits INLINE HMI Enclosure	Product Weight (lb.)
LDR3P15	LLB161612	0.4
LDR3P20	LLB252512	0.5
LDR3P25	LLB252512	0.7

LDR3P20 fits horizontally. LDR3P25 fits vertically.

LOCK INSERTS



Lock Inserts can replace the standard slotted quarter-turn latch. Key included.

BULLETIN: A54SY, A54Y

Catalog Number	Description
LLKSM7	Square 7 mm, Chrome Finish
LLKSM7SS	Square 7 mm, Type 316L Stainless Steel
LLKSM8	Square 8 mm, Chrome Finish
LLKDB	Daimler Benz, Chrome Finish
LLKDBM3	Double bit 3 mm, Chrome Finish
LLKSS	Slotted screw, Chrome Finish

WING KNOB LATCH



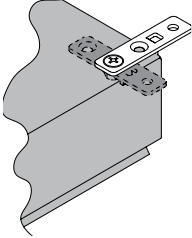
Wing Knob Latch can replace the standard slotted, quarter-turn latch on all hinged-cover and window-cover enclosures. Latch is black die-cast zinc. Includes two keys and installation instructions.

BULLETIN: A54Y

Catalog Number	Product Weight
LLKWK	0.2 lb.

Reduces UL Type rating from 4 or 4X to 12.

MOUNTING-BRACKET KIT

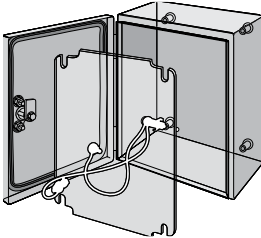


Kit is field-installable on all solid-back-body enclosures. Hardware included. Four brackets per kit.

BULLETIN: A54SY, A54Y

Catalog Number	Description
LMFK	Plated steel mounting-bracket kit
LMFKSS	Type 316L stainless steel mounting-bracket kit

GROUNDING KIT



Grounding Kit provides means to attach a grounding conductor to the enclosure. Kit includes two insulated copper wires with a ring terminal at each end, all installation hardware and instructions.

BULLETIN: A54Y

Catalog Number	Product Weight
LLGK	0.2 lb.