



A Marley Engineered Products Brand

470 Beauty Spot Rd. E, Bennettsville, SC 29512

# SUBMITTAL SHEET SRA SERIES SMALL ROOM HEATERS

SRA SERIES - SMALL ROOM HEATERS

### SELECTION CHART

CATALOG NUMBER	VOLTS*	WATTS**	BTU/HR.	AMPS
SRA1012DS	120	1000	3413	8.3
		500	1806	4.2
SRA1512DS	120	1500	5119	12.5
		750	2560	6.3
SRA1812DS	120	1800	6143	15
SRA1527DS	277/240	1500/1125	5119/3839	5.4/4.7
		750/563	2560/1918	2.7/2.3
SRA2020DS	208	2000	6826	9.6
		1000	3413	4.8
SRA2024DS	240/208	2000/1500	6826/5119	8.4/7.2
		1000/750	3413/2560	4.2/3.6
SRA2027DS	277/240	2000/1500	6826/5119	7.2/6.3
		1000/750	3413/2560	3.6/3.1

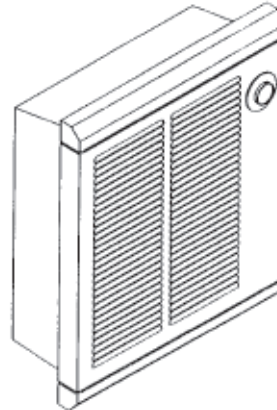
\*Single phase, 60 Hz

\*\* Factory Wired for Full Wattage, Field Convertible to Half Wattage.

\* 1800 Watts

<b>SRASM</b>	Surface mounting sleeve. Fits around back box of SRA heaters for surface mounted installations.
<b>SRAS-1</b>	1" or 2" semi-recessed sleeve to fit around exposed back box in semi-recessed installations.
<b>SRAS-2</b>	
<b>SRA-FCTP</b>	Tamper Proof Front Cover.

CAPACITIES
500, 562, 750, 1000, 1125, 1500 or 2000 Watts 120, 208, 240 or 277V 1Ø Only



Thermostat Range: 40 - 85 °F  
Air Movement: 65 CFM

### MOUNTING LIMITATIONS:

1. For wall mounting - Do not install back box closer than 2 inches from floor or adjacent wall.
2. Do not install heater behind towel rack, behind door, in floor, in closet, in ceiling or where air flow may be obstructed.

ITEM	QTY.	CATALOG NUMBER	TAG	WATTS	VOLTS	Ø	AMPS	BUILT-IN CONTROLS

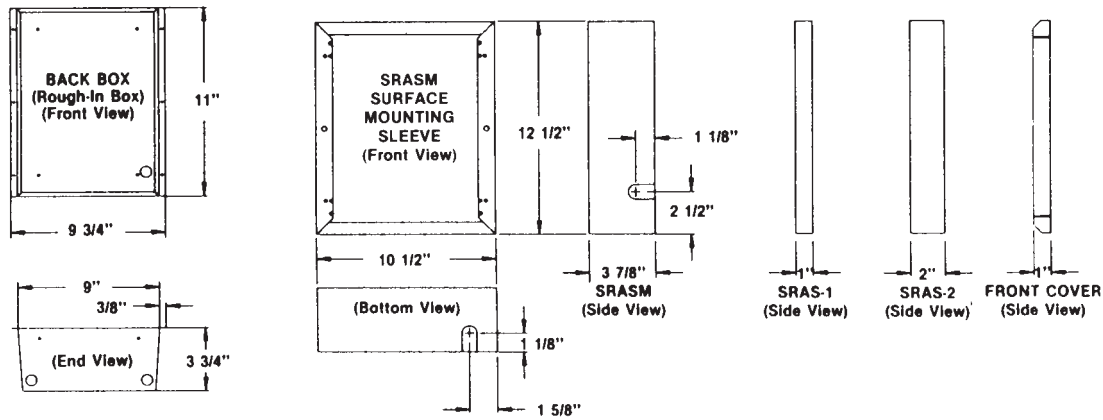
### ACCESSORIES AND CONTROLS

ITEM	QTY.	CAT. NO.	TAG	DESCRIPTION

SUBMITTED BY:	DATE

APPROVED BY:	DATE

## DIMENSIONS



### ARCHITECT'S & ENGINEER'S SPECIFICATIONS \*

The heating equipment shall include an electric automatic SRA Series fan-forced air heater suitable for small area heating as manufactured by Berko, A Marley Engineered Products Brand, Bennettsville, SC. Heaters shall be cULus Listed.

The heater shall be designed for surface or recessed wall mounting. For surface mounting a Berko SRASM surface mounting sleeve shall be used. For semi-recessed installation a Berko SRAS-1 or SRAS-2 semi-recessed sleeve shall be used. **BACK BOX:** The back box shall be designed for duty as a recessed rough-in box in either masonry or frame construction and also when mounting directly to the surface of the finished walls in surface mounting installations. The back box shall be commercial grade galvanized steel and shall contain knock outs through which field wiring leads are brought and connected to pigtailed of the pre-installed female disconnect receptacle. Connecting of the male plug of the inner frame completes the wiring of the heater.

**INNER FRAME ASSEMBLY:** The inner frame assembly shall consist of a commercial grade steel chassis on which are mounted the heating element, fan motor and blade, thermostat, fan delay and thermal cut out. The inner frame assembly shall be completely pre-wired with the leads terminating in a male plug, thus facilitating positive disconnect and easy removal for service without disturbing the back box or field wiring.

**HEATING ELEMENT:** The heating element shall be guaranteed for five years and shall be of nonglowing design consisting of a special resistance wire enclosed in a steel sheath to which steel plate fins are brazed. The element shall cover the entire air discharge area to ensure uniform heating of all discharge air.

**MOTOR AND CONTROLS:** The fan motor shall be impedance protected, permanently lubricated and with totally enclosed rotor. Fan delay shall be bi-metallic, snap-action type and shall activate fan after heating element reaches operating temperature, and continue to operate the fan after the thermostat is satisfied and until all heated air has been discharged. The thermostat shall be single pole on all models. Thermal cutout shall be bi-metallic, snap-action type designed to shut off heater in the event of over heating.

**DISCONNECT SWITCH:** A built-in double pole single throw disconnect switch shall be provided for positive disconnect of power supply. It is completely concealed behind the front cover. **FRONT COVER:** The louvered front cover shall be of commercial grade steel finished in Navajo White baked enamel. It will attach to the fan deck via snaps in the high impact plastic trim pieces and shall have no exposed screw heads.

**TAMPER-PROOF INSTALLATION:** Optional front cover without the hole for the thermostat knob provide full tamper-proof installation.

**SURFACE MOUNTING SLEEVE:** The surface mounting sleeve shall be of commercial grade steel, designed to mount around the back box for a finished surface installation. Slot knock outs shall be provided for power supply conduit. Semi-recessed sleeves shall be available for semi-recessed installation in walls less than 3-1/2 inches thick.

**FINISH:** All sheet metal parts, except the galvanized steel back box shall be polyester powder paint coated for corrosion resistance.

\* Berko reserves the right to change specifications without prior notice.