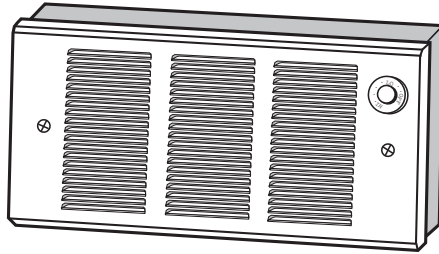




A Marley Engineered Products Brand
 470 Beauty Spot Rd. E, Bennettsville, SC 29512

SUBMITTAL SHEET
GFR SERIES
FAN-FORCED
WALL HEATERS



CAPACITIES
375, 450, 500, 600, 750, 900, 1125, 1200, 1350, 1500, 1800, 2000 OR 2400 WATTS 120, 208 OR 240V 1Ø only



GFR SERIES - FAN FORCED WALL HEATERS

JOB NAME: _____
 LOCATION: _____
 ARCHITECT: _____
 ENGINEER: _____
 CONTRACTOR: _____
 SUBMITTED BY: _____
 DATE: _____

ITEM	QTY.	CATALOG NUMBER	TAG	WATTS	VOLTS	Ø	AMPS	BUILT-IN CONTROLS

**ACCESSORIES
 AND
 CONTROLS**

ITEM	QTY.	CAT. NO.	TAG	DESCRIPTION

SUBMITTED BY:	DATE

APPROVED BY:	DATE



A Marley Engineered Products Brand

470 Beauty Spot Rd. E, Bennettsville, SC 29512

ARCHITECT'S AND ENGINEER SPECIFICATIONS*

The heating equipment shall include electric, automatic fan forced air heater suitable for large area heating, as manufactured by Berko, A Marley Engineered Products Brand, Bennettsville, SC. The heater shall be designed for wall recess or surface mounting. Heaters shall be cULus listed.

HEATER ASSEMBLY: The heater assembly which fits into the back box shall consist of a fan panel upon which is mounted all of the operational parts of the heater.

HEATING ELEMENT: The heating element shall be of the non-glowing design consisting of a special resistance wire enclosed in a steel sheath to which steel plate fins are copper brazed. It shall be warranted for 5 years.

FAN AND MOTOR: Tangential blower for whisper quiet operation. Fan motor shall be totally enclosed.

FAN DELAY SWITCH: Fan control shall be of bi-metallic, snap-action type and shall activate fan after heating element reaches operating temperature. The fan shall continue to operate after the thermostat is satisfied and until the heating element is cool.

THERMOSTAT: The bi-metallic thermostat is available as built-in type that could be made tamperproof or it can be ordered without a thermostat for remote mounting.

THERMAL CUTOOUT: A thermal cutout shall be built into the system to shut off the heater in the event of overheating.

BACK BOX: The back box shall be designed for duty as a recessed rough-in box in either masonry or frame installations, and is also used with the surface mounting frame in surface mounting installations. The back box shall be 20-gauge galvanized steel and shall contain knockouts through which power leads are brought.

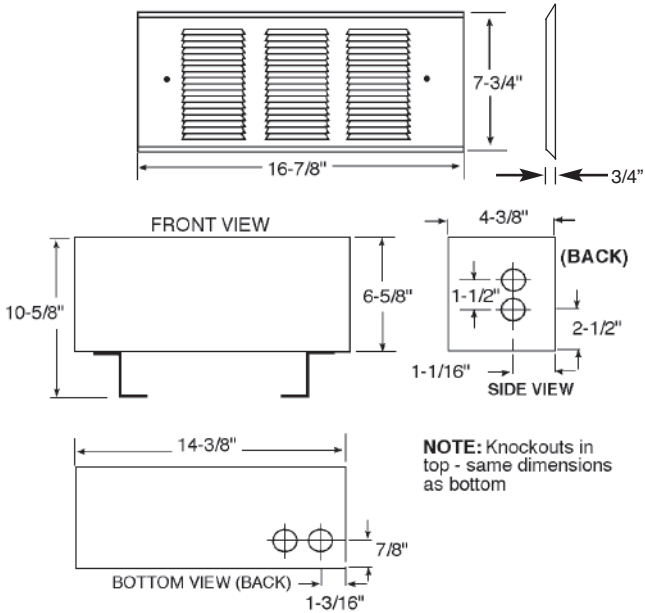
GRILLE: The front grille is louvered and shall be of heavy gauge steel finished in northern white high temperature polyester powder coat finish for corrosion protection.

THREE PIECE DESIGN: The heater shall be made up of a back box, a heater assembly and a front panel.

**Berko reserves the right to change specifications without prior notice.*

MOUNTING LIMITATIONS

For wall mounting only. Do not install back box closer than 4 inches from floor, 6 inches from adjacent walls and 36 inches from the ceiling. Do not install heater behind towel rack, behind door, in floor, in closet, in ceiling or where airflow may be obstructed. To insure proper operation, maintain 5-foot minimum clearance to furniture or other objects placed directly in front of the heater.



SELECTION CHART

CATALOG NUMBER	VOLTS (1Ø)	WATTS	AMPS	BUILT-IN THERMOSTAT	SHIPPING WEIGHT (LBS.)
GFR1500	120	1500	12.5	No	10
		1125	9.4		
		750	6.3		
		375	3.1		
GFR2004	240*	2000	8.3	No	10
		1500	6.3		
		1000	4.2		
GFR2404	240*	2400	10.0	No	10
		1200	5.0		
		500	2.1		
GFR1500T2	120	1500	12.5	Double Pole	11
		1125	9.4		
		750	6.3		
		375	3.1		
GFR2004T2	240*	2000	8.3	Double Pole	11
		1500	6.3		
		1000	4.2		
		500	2.1		
GFR2404T2	240*	2400	10.0	Double Pole	11
		1200	5.0		

*Will operate on 208V at 75% of rated wattages.

