

### Large Capacity Fittings for Infloor Applications

The Multiplex Series Service Fittings deliver adaptability throughout the life-cycle of the library, commercial office space, or financial institution where it is installed. Interchangeable faceplates for power or communication can be exchanged as needs for those services alter. The fittings are suitable for new construction or renovation and can be used to feed multiple workstations.

Multiplex is designed to be installed on many infloor systems including Walkerduct® Underfloor Duct, Walkerduct Pro Series, and Walker 800 Series Floor Boxes. They can also be applied to competitive raceway systems. These fittings were developed to handle large capacity single and dual service requirements to the workstation. Faceplates allow for partition feeds, plug-in point termination or custom field applications. Multiplex Fittings are UL Listed to both U.S. and Canadian safety standards.



MP4 and MP8 Multiplex Service Fittings with power and communication faceplates.

#### Features & Benefits

- **Two sizes.** Provides option for single or dual service to meet capacity requirements per location.
- **Brushed aluminum finish.** Durable finish ensures that Multiplex Service Fittings retain their good looks after years of service.
- **Datacom connectivity options.** Accepts industry standard and proprietary devices from a wide range of manufacturers to provide a seamless and aesthetically pleasing interface for voice, data, and video applications at the point-of-use.
- **Interchangeable faceplates.** The plates can be replaced as power and communication needs change.
- **Mounts directly on presets of Walkerduct Pro Series System.** No additional attachment hardware required. Saves time and money.

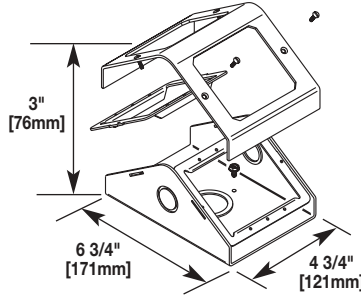
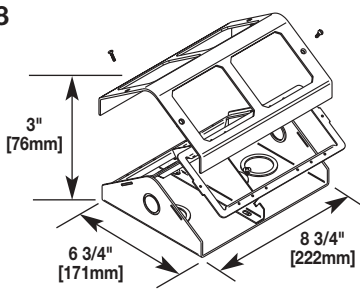
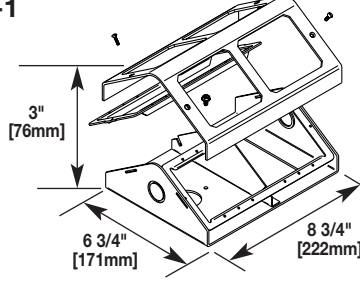
## Multiplex Selection and Ordering

It is easy to design a unique Multiplex Service Fitting. Just follow these steps:

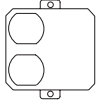
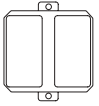
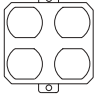
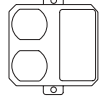
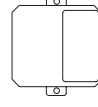
1. Determine what fitting will be mounted to (ie: Walkerdect Underfloor Duct, floor box, etc).
2. Determine size required based on single or dual service needed. For 8-Plex, select appropriate base style.
3. Select the required number of power, communication, or blank faceplates. Select two for 4-Plex and four for 8-Plex.
4. Select installation accessories.

That's all! It's so easy!

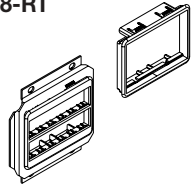
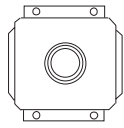
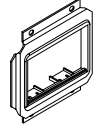
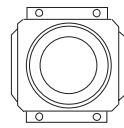
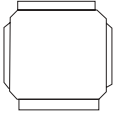
### 4-Plex Single and 8-Plex Dual Service Fittings

Catalog No./Item	Description/Specifications
<p><b>MP4</b></p> 	<p>Single service fitting includes housing, base, two mounting frames, and mounting hardware. For use on 2" [51mm] IPS underfloor duct systems. Can also be installed on single preset in Walkerdect Pro Series System. Has 1/2" and 3/4" trade size concentric conduit knockouts on each end. Overall capacity is 55.3 cu. in. [906 cu cm]. Fitting also provides 1" and 1 1/4" trade size concentric knockouts in baseplate.</p>
<p><b>MP8</b></p> 	<p>Dual service fitting includes housing, base, two mounting frames, divider, and mounting hardware. For use on two No. 2 ducts or one No. 2 and one No. 4 duct. On Walkerdect Pro Series the fitting can be installed on any two-duct system. Has 1/2" and 3/4" trade size concentric conduit knockouts on each end. Overall capacity is 104.3 cu. in. [1709 cu cm]. Fitting also provides 1" and 1 1/4" trade size concentric knockouts and one 1" trade size knockout in baseplate.</p>
<p><b>MP8-1</b></p> 	<p>Same as MP8, except mounts on PK and N-R-G Presets, one No. 2 , or one No. 4 duct. On Walkerdect Pro Series the fitting can be installed on any two-duct system. Overall capacity is 104.3 cu. in. [1709 cu cm]. Has 1/2" and 3/4" trade size concentric knockouts on each end. Fitting also provides one 1" trade size knockout in baseplate.</p>

### Power Faceplates for Multiplex Service Fittings \*

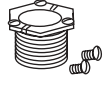
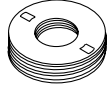

Catalog No./Item	Description/Specifications	Catalog No./Item	Description/Specifications
<p><b>M-DR</b></p> 	<p><b>Power Faceplate –</b> Single duplex opening.</p>	<p><b>M-2GFI</b></p> 	<p><b>Power Faceplate –</b> Dual GFI opening.</p>
<p><b>M-2DR</b></p> 	<p><b>Power Faceplate –</b> Dual duplex opening.</p>	<p><b>M-DR/GFI</b></p> 	<p><b>Power Faceplate –</b> Single duplex and GFI openings.</p>
<p><b>M-GFI</b></p> 	<p><b>Power Faceplate –</b> Single GFI opening.</p>		

## Communication Faceplates for Multiplex Service Fittings \*

Catalog No./Item	Description/Specifications		Catalog No./Item	Description/Specifications
LTF48-RT	 <b>Faceplate –</b> Single opening • Accepts Ortronics MAB6TJ TracJack and MAB3S2 Series II bezels.	ORT P&S OPEN	LTF48-1	 <b>Faceplate – 1" [25mm]</b> diameter bushed opening.
LTF48-ACT	 <b>Faceplate –</b> Single opening. • Accepts the Activate CM-MAB bezel.	ORT P&S OPEN	LTF48-2	 <b>Faceplate – 2" [51mm]</b> diameter bushed opening.
LTF48-B	 <b>Faceplate – Blank.</b>			

\*All plates include mounting hardware. Plate dimensions are 3.365" [85.5mm] wide, x 2.98" [75.7mm] high, excluding flanges.

## Activation Accessories

Catalog No./Item	Description/Specifications	Catalog No./Item	Description/Specifications
1124-1	<b>Locking Nipple –</b> For 1" [25mm] IPS insert opening. 1" [25mm] long.	1126A-1/4 [6.4mm]	<b>Adapter –</b> To change
1124L-1	<b>Locking Nipple –</b> For 1" [25mm] IPS insert opening. 1 1/2" [38mm] long.	-3/4 [19mm]	[51mm] 2" IPS preset to
1124F-1	<b>Locking Nipple –</b> For 1" [25mm] IPS opening. 5/8" [15.9mm] long. For use on Flushduct Infloor Raceway.	-1 [25mm]	1" [25mm]. Suffix denotes
		-1 1/2 [38mm]	opening size.
			
		455F-1	<b>Outlet Flange –</b> For 1 5/8" [41mm] diameter opening. For use on Flushduct Infloor Raceway.
			

# Datacom Connectivity Options

Now you have a wide range of options for providing datacom connectivity into Wiremold® Cable Management Systems. They are:

- Ortronics® TracJack® and Series II Modular Connectivity Solutions
- Pass & Seymour Activate™ Modular Inserts
- Open System Communication Modules

ORT	ORT	ORT
P&S	P&S	P&S
OPEN	OPEN	OPEN

Use these icons to determine connectivity options for each Wiremold System component:

ORT
P&S
OPEN

## Ortronics® Connectivity

### TracJack® Individual Jack System

- Front-loading, snap-in design supports future moves adds and changes
- Inserts for voice, data, audio, and video
- Available Category 3, 5e, 6, USOC 6-position, and other media
- Choice of 13 colors and color matched to Wiremold Systems
- Universal T568A/B wiring format



### Series II Front-Loading, Module System

- Module design features easy snap-in front-loading design
- Linear 110 punch down format for easy termination
- Inserts for voice, data, audio, and video
- Available Category 3, 5e, 6, USOC 6-position, and other media
- Color matched to Wiremold Systems



For detailed product selection refer to the Ortronics Catalog or visit [www.ortronics.com](http://www.ortronics.com).

ORT
P&S
OPEN

## Pass & Seymour Legrand Network Wiring

### Activate™ Series Front-Loading Inserts

- Modular inserts for voice, data, audio and video applications
- Front-load, snap-in design
- Color and texture matched to Wiremold Systems
- Available Category 3, 5e, 6, as well as 6-position USOC
- Universal T568A/B wiring format



For detailed product selection refer to the Pass & Seymour Network Wiring Catalog or visit [www.passandseymour.com](http://www.passandseymour.com).

ORT
P&S
OPEN

## Open Connectivity Solutions

### Wiremold Open System Communications Modules

- Accommodate a wide range of manufacturers' communications outlets including keystone jacks, as well as proprietary solutions from Avaya (Lucent) and NORDX
- Modules insert into a wide range of Wiremold Systems
- Pre-punched faceplates accept common communication devices



**NOTE:** For more information on integrating connectivity into Wiremold Cable Management Systems contact the Wiremold Applications Engineering Team or your local Wiremold Sales Representative.

# WIREMOLD



#### Wiremold / Legrand

U.S. and International:

60 Woodlawn Street • West Hartford, CT 06110

1-800-621-0049 • FAX 860-232-2062 • Outside U.S. 860-233-6251

Canada:

570 Applewood Crescent • Vaughan, Ontario L4K 4B4

1-800-723-5175 • FAX 905-738-9721

