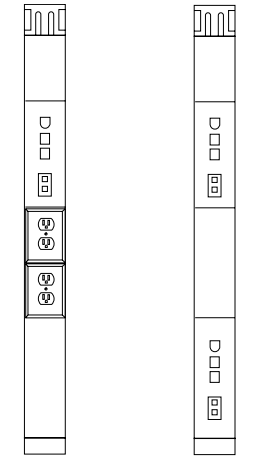
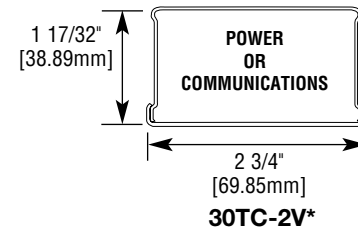
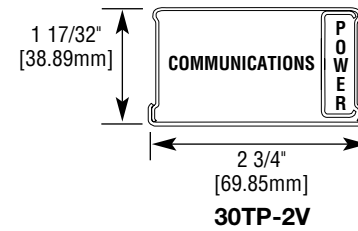
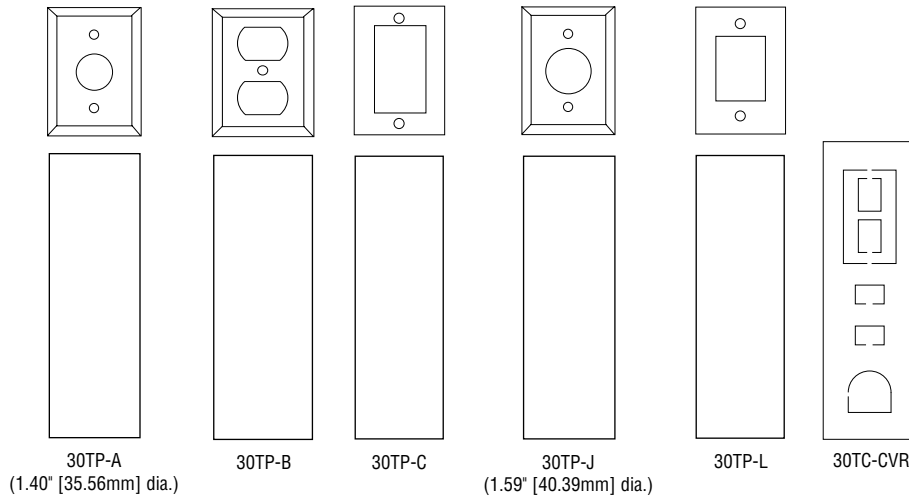


30TC-2V / 30TP-2V Series Tele-Power® Poles INSTALLATION INSTRUCTIONS

Wiremold Electrical Systems conform to and should be properly grounded in compliance with requirements of the current National Code or codes administered by local authorities.

All electrical products may represent a possible shock or fire hazard if improperly installed or used. Wiremold electrical products are UL listed, made for interior use in dry locations only and should be installed in conformance with current local and/or the National Electrical Code.



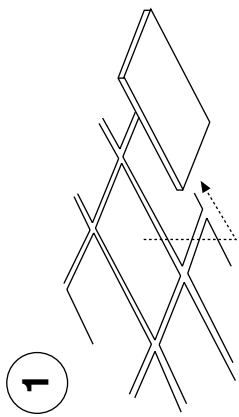
30TP-2V

30TC-2V*

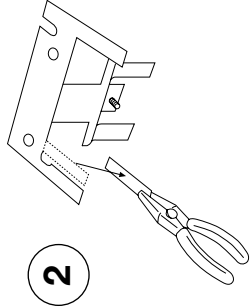
| RACEWAY WIRE AND CABLE FILL CAPACITIES FOR TELE-POWER POLES - POWER | | | | | |
|---|-----------------|----------|------|-----------------|------------------|
| Cable Type | Cable Wire/Size | O.D. | | 30TP- 2V Series | 30TC- 2V Series* |
| | Description | (inches) | [mm] | 40% FILL | 40% FILL |
| THHN / THWN | 10 Awg | 0.16 | 4.17 | 8 | 66 |
| | 12 Awg | 0.13 | 3.30 | 12 | 106 |

| RACEWAY WIRE AND CABLE FILL CAPACITIES FOR TELE-POWER POLES - COMMUNICATIONS | | | | | | | |
|--|----------------------|----------|-------|-----------------|----------|------------------|----------|
| Cable Type | Cable Wire/Size | O.D. | | 30TP- 2V Series | | 30TC- 2V Series* | |
| | Description | (inches) | [mm] | 20% FILL | 40% FILL | 20% FILL | 40% FILL |
| Unshielded Twisted Pair | Cat. 5 UTP | 0.22 | 5.59 | 14 | 28 | 18 | 37 |
| | Cat. 3 UTP | 0.19 | 4.83 | 19 | 38 | 25 | 50 |
| Telephone | 2 Pair | 0.14 | 3.56 | 35 | 70 | 46 | 9 |
| | 3 Pair | 0.15 | 3.81 | 30 | 61 | 40 | 79 |
| | 4 Pair | 0.19 | 4.83 | 19 | 38 | 25 | 50 |
| | 25 Pair | 0.41 | 10.41 | 4 | 8 | 5 | 11 |
| Coaxial | RG58/U | 0.20 | 4.95 | 18 | 36 | 24 | 47 |
| | RG59/U | 0.24 | 6.15 | 12 | 23 | 15 | 31 |
| | RG62/U | 0.24 | 6.15 | 12 | 23 | 15 | 31 |
| | RG6/U | 0.27 | 6.86 | 9 | 19 | 12 | 25 |
| TwinAxial | 100 Ohm | 0.33 | 8.38 | 6 | 13 | 8 | 16 |
| Shielded Twisted Pair | Type 1 STP | 0.39 | 9.91 | 4 | 9 | 6 | 12 |
| | Type 2 STP | 0.47 | 11.81 | 3 | 6 | 4 | 8 |
| | Type 3 STP | 0.25 | 6.22 | 11 | 23 | 15 | 30 |
| Fiber Optic | Fiber ZipCord | 0.11 | 2.79 | 56 | 113 | 74 | 14 |
| | Round Fiber 2 Strand | 0.18 | 4.57 | 21 | 42 | 28 | 55 |
| | Round Fiber 4 Strand | 0.19 | 4.83 | 19 | 38 | 25 | 50 |
| | Round Fiber 6 Strand | 0.21 | 5.33 | 15 | 31 | 20 | 41 |

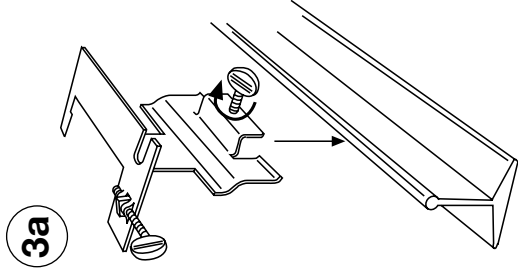
- Grounding: Use ground location when provided or install a suitable ground lug, ring terminal or locknut and ground bushing.
- Mise à la terre: Utiliser l'emplacement de terre prévu ou poser le matériel qui convient: patte de mise à la terre, cosse circulaire à oeil ou écrou de blocage et manchon de terre.
- Conexión a tierra: Use un localizador de tierra cuando se proporcione o instale una orejeta de tierra, anillo terminal o contratuerca y cojinetes de tierra apropiados.



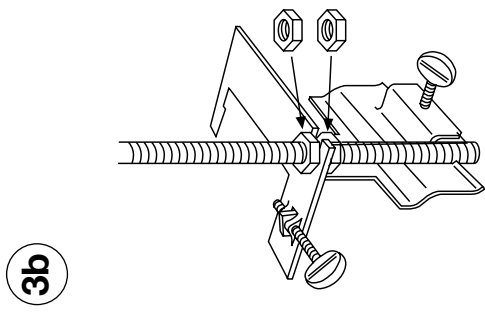
1



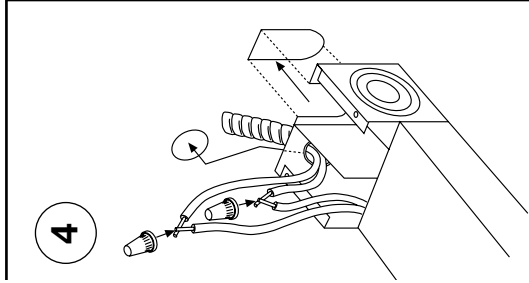
2



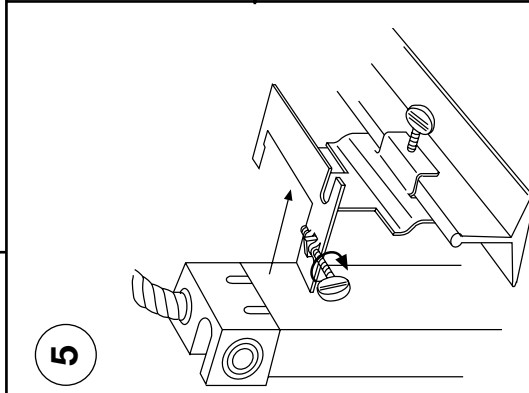
3a



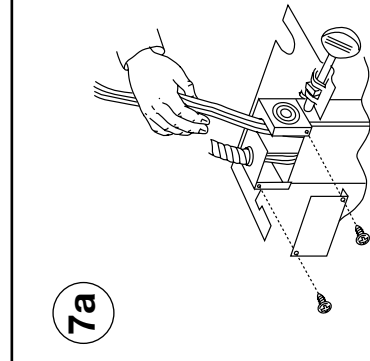
3b



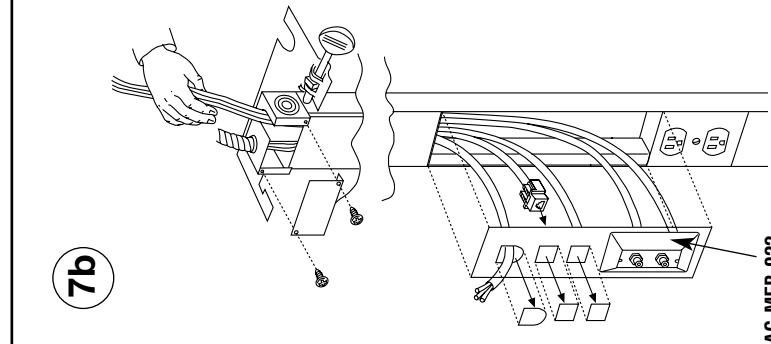
4



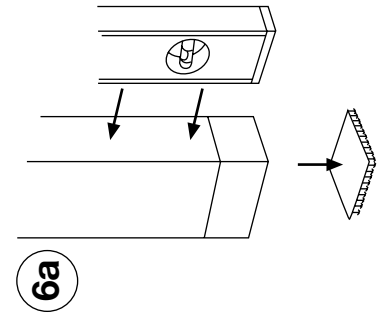
5



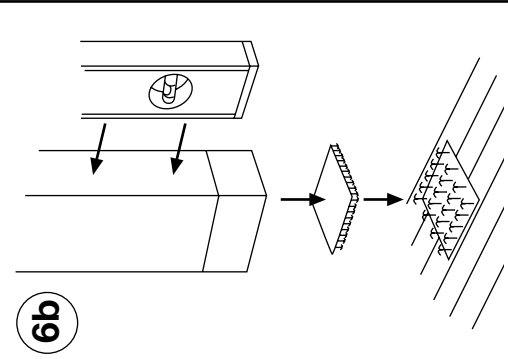
7a



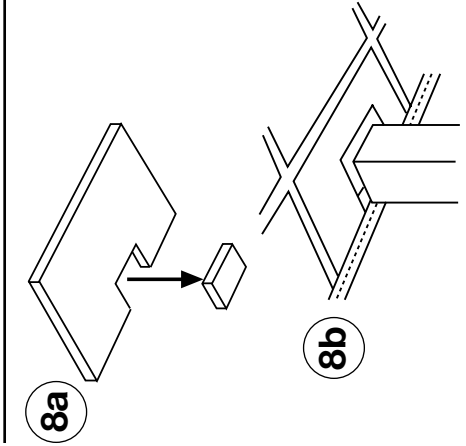
7b



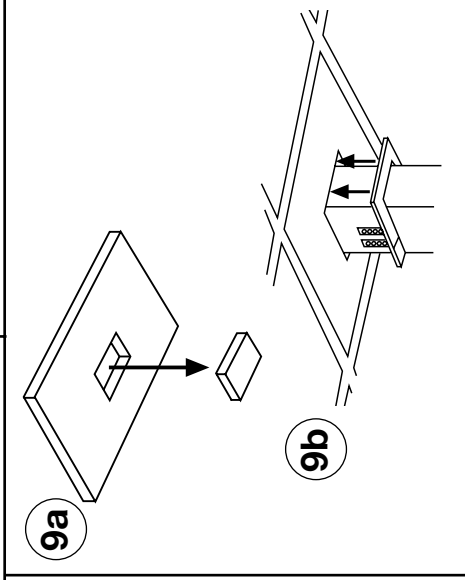
6a



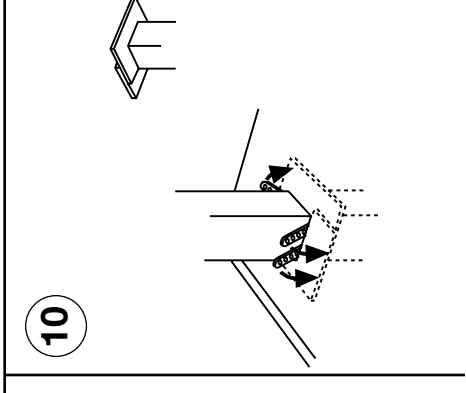
6b



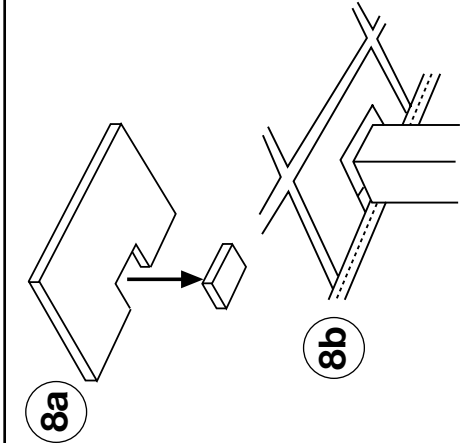
8a



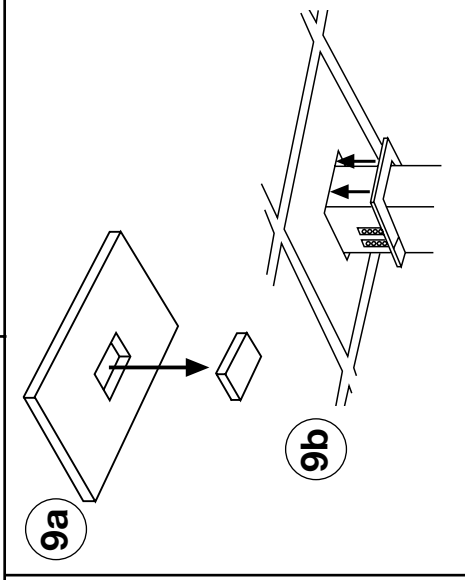
9a



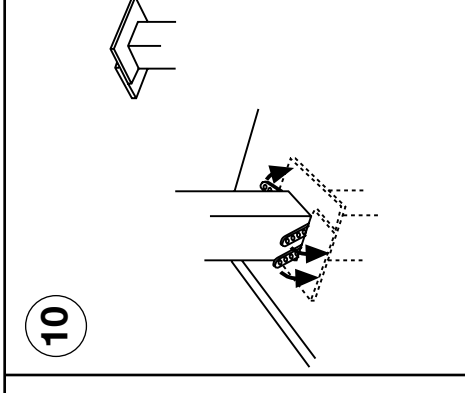
10



8b



9b



AC-MFB-022