

DESCRIPTION

6 inch LED recessed medium or wide beam wall wash specially designed for LED technology. Two-stage reflector system combined with a Gradient Kicker, produces high levels of uniform vertical illumination on the wall with minimal source brightness. Color temperatures of 2700K, 3000K, 3500K, 4000K. Available with dim-to-warm technology – similar to halogen at full power, the 3000K LED warms smoothly as dimmed to 1850K creating a rich warm glow within the space.

SPECIFICATION FEATURES

Lower Wall Wash Reflector

Spun .050" thick aluminum lower reflector with gradient kicker in combination with a lensed upper optical chamber provides superior lumen output, high level vertical illumination with minimal source brightness. Available in all Portfolio Alzak® finishes.

Trim Retention

Reflector is retained with two torsion springs holding the flange tightly to the finished ceiling surface.

Plaster Frame / Collar

New Construction Housing: Die cast aluminum 1-1/2" deep collar accommodates ceiling materials up to 2".

Universal Mounting Bracket

Accepts 1/2" EMT, C channel and bar hangers and adjusts 5" vertically from above and below the ceiling.

Junction Box

(4) 1/2" and (2) 3/4" trade size pry outs positioned to allow straight conduit runs. Listed for (8) #12 AWG (four in, four out) 90°C conductors and feed thru branch wiring.

Thermal

Extruded aluminum heat sink conducts heat away from the LED module for optimal performance and long life.

LED

LED system contains a plurality of high brightness white LED's combined with a high reflectance upper reflector and convex transitional lens producing even distribution with no pixilation. Rated for 50,000 hours at 70% lumen maintenance. Auto resetting, thermally protected, LED's are turned off when safe operating temperatures are exceeded. Color variation within 3-step MacAdam ellipses. Flexible disconnect allows for tool-less replacement of LED engine from below ceiling. Available in 80 or

Catalog #		Type
Project		
Comments		Date
Prepared by		

90 CRI.

D2W™ – dim-to-warm shifts CCT from 3000K to 1850K as fixture dims mimicking halogen sources.

Driver

Driver can be serviced from above or through the aperture.

Code Compliance

Thermally protected and cULus listed for protected damp locations. Optional City of Chicago environmental air (CCEA) marking for plenum applications. EMI/RFI emissions per FCC 47CFR Part 18 Class B consumer limits. Non-IC rated - Insulation must be kept 3" from top and sides of housing. RoHS Compliant. ARRA Compliant. Photometric testing completed in accordance with IES LM 79 standards. LED life testing completed in accordance with LM 80 standards.

Warranty

5-year warranty.

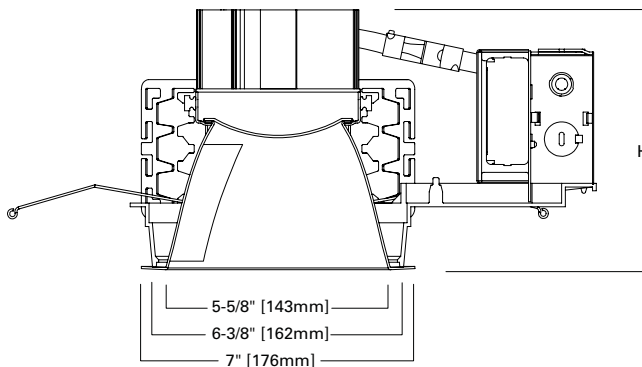


**LD6A10 LD6A15
LD6A20 LD6A30
6LM111 6LW111**

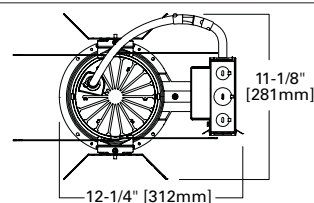
1000, 1500 Lumen LED
2000, 3000 Lumen LED

6-Inch
Medium or Wide Beam Wall Wash
New Construction

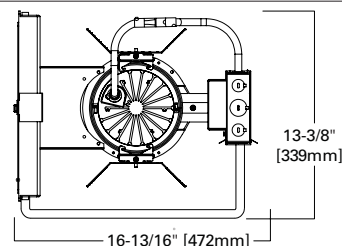
D2W™



TOP VIEW - NEW CONSTRUCTION



TOP VIEW - NEW CONSTRUCTION WITH BATTERY



Distribution	Lumens	Height
Wide Beam Wall Wash	1000/1500	5-5/8"
Medium Beam Wall Wash	1000/1500	6-9/16"
Wide Beam Wall Wash	2000/3000	6-1/2"
Medium Beam Wall Wash	2000/3000	8-9/16"



Refer to ENERGY STAR® Qualified Products List.

EXAMPLE: LD6A15D010TE ERW6A15835 6LW111LI=6" LED Wide Wall Wash, 1500 Lumen 3,500 K Color with Universal 120 - 277V, 0 - 10 Driver

Housing	Lumens ¹	Driver	Options ^{3,4}	Power Module	Lumens ¹	CRI	Color
LD6A=6" Aperture LD6ACP=6" Aperture, Chicago Plenum	10=1000 Lumens 15=1500 Lumens 20=2000 Lumens 30=3000 Lumens	1000, 1500, 2000 and 3000 Lumen D010TE=120-277V 0-10V 10% Dimming or Trailing Edge 120V Dimming D5LT=Fifth Light® (DALI) 0% Dimming DE010=1 to 100% Dimming, 120-277V 50/60Hz, 0-10V DL3=1 to 100% Dimming, 120-277V Lutron® Hi-Lume, Ecosystem or 3 Wire DLT=Hi-Lume Forward Phase 2-wire Dimming 120V DMX=DMX 0% Dimming 1000, 1500 and 2000 Lumen D010TR=120-277V 0-10V 10% Dimming or Leading Edge 120V Dimming	EMBOD=7W Bodine® Emergency Module with Remote Test Switch EM7=7W Emergency Module with Remote Test Switch EM14=14W Emergency Module with Remote Test Switch	ERM6A=6" Module for Medium Beam Reflector ERW6A=6" Module for Wide Beam Reflector 10=1000 Lumen 15=1500 Lumen 20=2000 Lumen 30=3000 Lumen	8=80 CRI 9=90 CRI	27=2700° K 30=3000° K 35=3500° K 40=4000° K 27CP=2700° K, Chicago Plenum 30CP=3000° K, Chicago plenum 35CP=3500° K, Chicago Plenum 40CP=4000° K, Chiago Plenum 30D2W= Dim to warm 3000° K to 1850° K (2000 lumen and below, 90 CRI)	

Reflector	Finish	Options	Accessories
6LW111=6" Wide Reflector, Single Wall Wash, Self-flanged 6LW121=6" Wide Reflector, Double Wall Wash, Self-flanged 6LW110=6" Wide Reflector, Single Wall Wash, Polymer Trim Ring 6LW120=6" Wide Reflector, Double Wall Wash, Polymer Trim Ring 6LM111=6" Medium Reflector, Single Wall Wash, Self-flanged 6LM121=6" Medium Reflector, Double Wall Wash, Self-flanged 6LM110=6" Medium Reflector, Single Wall Wash, Polymer Trim Ring 6LM120=6" Medium Reflector, Double Wall Wash, Polymer Trim Ring	LI=Specular Clear H=Semi-Specular Clear WMH=Warm Haze G=Specular Gold WH=Wheat WHH=Wheat Haze GP=Graphite GPH=Graphite Haze B=Specular Black W=Gloss White	Self-flanged Only WF=White Painted Flange	HB26=C-channel Bar Hanger, 26" Long, Pair HB50=C-channel Bar Hanger, 50" Long, Pair RMB22=Wood Joist Bar Hanger, 22" Long, Pair H347=347 to 120V Step Down Transformer, 75VA PORLWTPD1=LumaWatt Pro Wireless Sensor Kit (0-10V only) H347200=347 to 120V Step Down Transformer, 200VA Housings, Specify Slope TRM6=Metal Trim Ring, Specify Color ² TRR6=Rimless Trim Ring ² ABR6P=Remodel Adaptor Ring for 7" OD

- Notes: 1 Nominal Lumens will vary depending on selected Color, driver and reflector finish.
 2 Order trim with polymer trim ring (Consult specification sheet for color ordering information and options).
 3 Not available with Chicago Plenum.
 4 Not CSA approved.

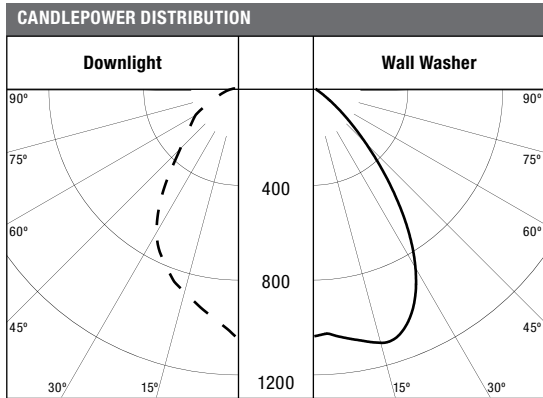
ENERGY

ENERGY DATA			
Sound Rating: Class A standards			
(Values at non-dimming line voltage)			
Minimum Starting Temperature: -30°C (-22°F)			
EMI/RFI: FCC Title 47 CFR, Part 15, Class B (Consumer)			
Input Voltage: UNV (120V - 277V)			
Power Factor: >0.90 (at nominal input 120-277 VAC & 100% of Rated Output Power)			
3000 Lumen D010TE		2000 Lumen D010TE	
Input Power: 43.6W	THD: <17%	Input Power: 31.5W	THD: <20%
120V Input Current: .37A	277V Input Current: .16A	120V Input Current: .27A	277V Input Current: .12A
Maximum Non-IC Ambient Continuous		Maximum Non-IC Ambient Continuous	
Input Frequency: 50/60Hz		Input Frequency: 50/60Hz	
1500 Lumen D010TE		1000 Lumen D010TE	
Input Power: 22.4W	THD: <20%	Input Power: 14.1W	THD: <20%
120V Input Current: .12A	277V Input Current: .09A	120V Input Current: .12A	277V Input Current: .06A
Maximum Non-IC Ambient Continuous		Maximum Non-IC Ambient Continuous	
Input Frequency: 50-60Hz		Input Frequency: 50-60Hz	

Lumens	120V		277V	
	Inrush (A)	Duration (ms)	Inrush (A)	Duration (ms)
900/1000	0.486	0.4	0.848	0.182
1300/1500	0.717	1.58	0.531	1.24
1800/2000	0.832	0.405	1.25	0.788
2800/3000	1.09	0.3	1.23	0.294

PHOTOMETRICS

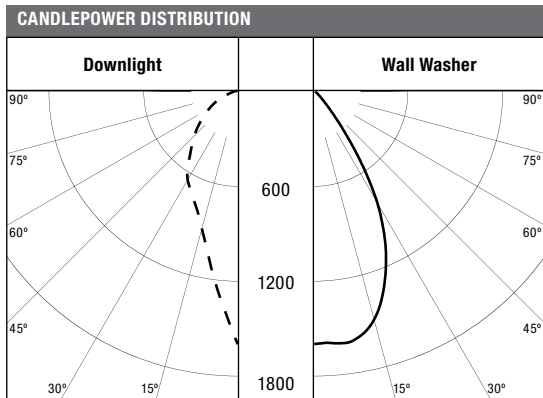
Test Number	P136274
Platform	LD6A15D010TE
Element	ERW6A15835 6LW111LI
Lumens	1601
Efficacy	70.8 Lm/W



LEGEND:
 0-deg: - - - - -
 90-deg: _____

SINGLE UNIT FOOTCANDLES					MULTIPLE UNIT FOOTCANDLES											
DD	3' FROM WALL (Distance From Fixture Along Wall)				2.5' FROM WALL (Spacing Between Fixtures)						3' FROM WALL (Spacing Between Fixtures)					
	●	1'	2'	3'	●	2'	●	●	3'	●	●	2'	●	●	3'	●
1'	7	5	3	1	17	19	17	14	14	14	10	11	10	8	8	8
2'	13	11	7	4	27	30	27	22	24	22	20	22	20	17	18	17
3'	12	10	7	4	25	28	25	21	22	21	19	21	19	16	18	16
4'	12	10	7	4	23	26	23	19	22	19	19	20	19	16	18	16
5'	10	9	7	5	18	19	18	15	18	15	16	18	16	14	16	14
6'	7	7	6	4	13	14	13	11	13	11	13	14	13	12	13	12
7'	5	5	5	4	9	10	9	9	9	9	10	10	10	9	10	9
8'	4	4	4	3	7	7	7	7	7	7	7	8	7	7	7	7
9'	3	3	3	3	5	5	5	5	5	5	6	6	6	5	6	5
10'	2	2	2	2	4	4	4	4	4	4	4	4	4	4	4	4

Test Number	P135554
Platform	LD6A15D010TE
Element	ERM6A15835 6LM111LI
Lumens	1561
Efficacy	69.1 Lm/W



LEGEND:
 0-deg: - - - - -
 90-deg: _____

SINGLE UNIT FOOTCANDLES					MULTIPLE UNIT FOOTCANDLES											
DD	3' FROM WALL (Distance From Fixture Along Wall)				2.5' FROM WALL (Spacing Between Fixtures)						3' FROM WALL (Spacing Between Fixtures)					
	●	1'	2'	3'	●	2'	●	●	3'	●	●	2'	●	●	3'	●
1'	6	4	2	1	16	18	16	13	12	13	8	9	8	6	7	6
2'	15	13	8	4	32	36	32	27	27	27	23	25	23	19	20	19
3'	15	13	9	5	29	33	29	24	27	24	24	27	24	20	23	20
4'	12	11	8	5	23	26	23	19	22	19	20	22	20	17	19	17
5'	10	9	7	4	17	19	17	14	17	14	16	18	16	14	16	14
6'	7	7	6	4	13	13	13	11	13	11	13	13	13	11	13	11
7'	5	5	5	4	9	9	9	8	9	8	9	10	9	9	9	9
8'	4	4	3	3	7	7	7	6	7	6	7	7	7	7	7	7
9'	3	3	3	3	5	5	5	5	5	5	6	6	6	5	6	5
10'	2	2	2	2	4	4	4	4	4	4	4	4	4	4	4	4

EM MULTIPLIER DATA

LUMENS	EM MULTIPLIER	
	7	14
900/1000	0.50	0.99
1300/1500	0.29	0.57
1800/2000	0.22	0.44
2800/3000	0.16	0.32