

DESCRIPTION

6-inch square recessed horizontal lensed wall wash designed for use with 18/26/32/42W DTT or TTT compact fluorescent lamps. The specular upper reflector combined with the spread lens provides uniform light distribution on vertical surfaces. Open downlight or lens reflector is interchangeable in the same housing.

Catalog #		Type
Project		
Comments		Date
Prepared by		

SPECIFICATION FEATURES

Lower Wall Wash Reflector

Angle cut aluminum lower reflector combined with a spread lens provides even, vertical illumination with minimal downlight contribution.

Trim Retention

Reflector is retained with two torsion springs holding the flange tightly to the finished ceiling surface.

Plaster Frame / Collar

Galvanized steel plaster frame with adjustable collar adjusts for up to 2" thick ceilings and rotates +/- 7.5°.

Universal Mounting Bracket

Accepts 1/2" EMT, C channel and bar hangers and adjusts 5" vertically from above and below the ceiling.

Junction Box

(4) 1/2" and (2) 3/4" trade size pry outs positioned to allow straight conduit runs. Listed for (8) #12 AWG (four in, four out) 90°C conductors and feed thru branch wiring.

Rotary Lock Socket

18W lamps: 4-pin Gx24q2;
26/32W lamps: 4-pin Gx24q3;
42W lamps: Gx24q4.
Bases have fatigue-free stainless steel lamp spring to ensure positive lamp retention.

Electronic Ballast

Electronic ballast provides full light output and rated lamp life. Provides flicker-free and noise-free operation and starting. End of lamp life protection is standard.

Labels

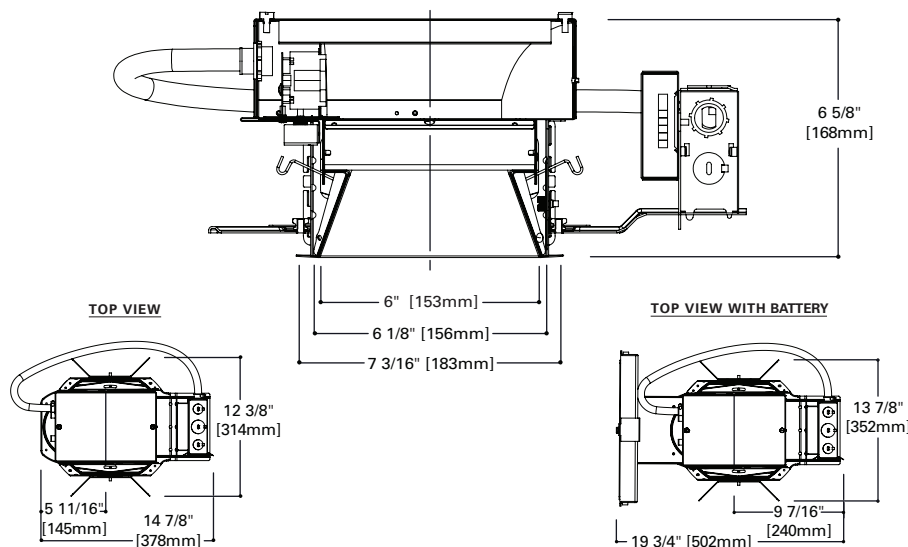
Thermally protected and cULus listed for protected wet locations. ARRA compliant.



CSQ6142 6CSQLWW

18/26/32/42W DTT or TTT
Compact Fluorescent

6-Inch Square
Lensed Wall Wash



ENERGY DATA

18W 4-pin	
Ballast: Electronic	
120V Input Watts: 20	Line Amps: 0.17
277V Input Watts: 20	Line Amps: 0.08
Power Factor: >0.99	THD: <10%
Min. Starting Temperature: -10°C (0°F)	
Sound Rating: Class A Standards	

18W 4-pin	
Ballast: Electronic	
120V Input Watts: 27	Line Amps: 0.23
277V Input Watts: 29	Line Amps: 0.11
Power Factor: >0.99	THD: <10%
Min. Starting Temperature: -18°C (0°F)	
Sound Rating:	

18W 4-pin	
Ballast: Electronic	
120V Input Watts: 36	Line Amps: 0.31
277V Input Watts: 36	Line Amps: 0.13
Power Factor: >0.99	THD: <10%
Min. Starting Temperature: -18°C (0°F)	
Sound Rating:	

42W TTT 4-pin	
Ballast: Electronic	
120V Input Watts: 48	Line Amps: 0.32
277V Input Watts: 48	Line Amps: 0.18
Power Factor: >0.99	THD: <10%
Min. Starting Temperature: -10°F (0°C)	
Sound Rating: Class A Standards	

NOTES: Accessories should be ordered separately. For additional options, please consult your Cooper Lighting Representative. Alzak is a registered trademark of Aluminum Company of America.

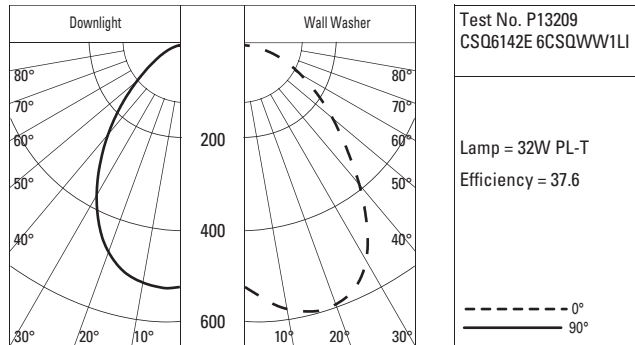


EXAMPLE:CSQ6142ECP 6CSQLWW1LI=6" Square CFL Horizontal Wall Wash, (1)-42 Watt Triple Twin Tube 120/277 Volt, Chicago Plenum, Self Flanged with Specular Clear Finish

Housing	Wattage	Ballast	Options	Reflector	Finish	Option	Accessories
CSQ6=6" CFL Horizontal	142=(1)-26, 32, 42W TTT 118=(1)-18W	E=120/277V 50/60 Hz Electronic 3E=347V 50/60 Hz Electronic D18=18W 120-277V Dimming Lutron EcoSystem/3-Wire Control (Factory Wired for 3-Wire) D26/32=26W or 32W 120-277V Dimming LutronEcoSystem/3-Wire Control(Factory Wired for 3-Wire) D42=42W 120-277V Dimming Lutron EcoSystem/3-Wire Control (Factory Wired for 3-Wire) D26MARKVII=26W 120-277V Advance MARK7 D32MARKVII=32W 120-277V Advance MARK7 D42MARKVII=42W 120-277V Advance MARK7 DMARKVII=18W 120-277V Advance MARK 7 (CSQ6118 only) 1D26MARKX=26W 120V Advance MARK 10 1D32MARKX=32W 120V Advance MARK 10 1D42MARKX=42W 120V Advance MARK 10 2D26MARKX=26W 277V Advance MARK 10 2D32MARKX=32W 277V Advance MARK 10 2D42MARKX=42W 277V Advance MARK 10 1DMARKX=18W 120V Advance MARK 10 (CSQ6118 only) 2DMARKX=18W 277V Advance MARK 10 (CSQ6118 only)	CP= Chicago Plenum EM= Emergency Module with Remote Test Switch IEM= Emergency Module with Integral Test Switch	6CSQLWW1=Lensed Wall Wash Reflector, Self Flanged 6CSQLWW0=Lensed Wall Wash Reflector, Polymer Trim Ring	LI=Specular Clear H=Semi-Specular Clear WMH =Warm Haze G=Specular Gold WH=Wheat WHH=Wheat Haze GP=Graphite GPH=Graphite Haze B=Specular Black W=Gloss White	WF=White Painted Fange (Self Flanged only)	HB26=C-Channel Bar Hanger, 26" Long, Pair HB50=C-Channel Bar Hanger, 50" Long, Pair RMB22=Wood Joist Bar Hanger, 22" Long, Pair

PHOTOMETRICS

Candlepower Distribution

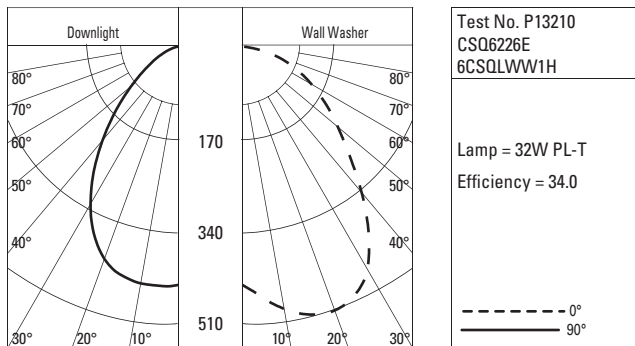


Single Unit Foot-candles

Multiple Unit Foot-candles

	Distance from wall (single fixture)				2' from wall (spacing between fixtures)				3' from wall (spacing between fixtures)			
	DD	1'	2'	3'	3'	4'	3'	4'	3'	4'		
1	7	5	2	1	25 16 25 23 8 23	9 8 9 8 5 8						
2	12	10	6	3	33 28 33 30 17 30	17 17 17 14 12 14						
3	12	10	7	4	28 27 28 23 18 23	20 20 20 16 14 16						
4	10	9	6	4	21 21 21 16 15 16	19 19 19 15 14 15						
5	8	7	5	4	15 15 15 11 11 11	16 16 16 13 13 13						
6	6	5	4	3	10 11 10 8 8 8	13 13 13 10 10 10						
7	4	4	3	3	8 8 8 6 6 6	10 10 10 8 8 8						
8	3	3	3	2	6 6 6 5 5 5	8 8 8 6 6 6						
9	2	2	2	2	4 4 4 4 4 4	6 6 6 5 5 5						
10	2	2	1	1	3 3 3 3 3 3	5 5 5 4 4 4						

Candlepower Distribution



Single Unit Foot-candles

Multiple Unit Foot-candles

	Distance from wall (single fixture)				2' from wall (spacing between fixtures)				3' from wall (spacing between fixtures)			
	DD	1'	2'	3'	3'	4'	3'	4'	3'	4'		
1	8	6	3	1	26 17 26 24 9 24	10 9 10 9 6 9						
2	11	9	6	3	30 25 31 26 16 26	17 17 17 14 12 14						
3	11	9	6	3	25 24 25 21 17 21	18 18 18 14 13 14						
4	9	8	6	4	18 19 18 15 14 15	17 17 17 13 13 13						
5	7	6	5	3	13 13 13 10 10 10	14 15 14 11 11 11						
6	5	5	4	3	9 10 9 7 8 7	11 12 11 9 9 9						
7	3	3	3	2	7 7 7 5 6 5	9 9 9 7 7 7						
8	2	2	2	2	5 5 5 4 4 4	7 7 7 6 6 6						
9	2	2	2	1	4 4 4 3 3 3	5 5 5 5 5 5						
10	1	1	1	1	3 3 3 3 2 2	4 4 4 4 4 4						