

DESCRIPTION

High efficiency, low brightness 6-inch aperture lensed reflector for use with compact fluorescent lamps. The precisely formed non-imaging optical reflector ensures 60° cutoff to lens and lens image and the one piece design eliminates light leaks at the ceiling. Standard features include low iridescent finish on all reflector colors and venting to ensure maximum lamp life and lumen output. Optics offer unparalleled performance in glare free lighting with a smooth beam devoid of hot spots. Open downlight, and open wall wash reflectors are interchangeable within the same housing.

SPECIFICATION FEATURES

Optical Reflector

Clear upper Alzak® reflector for maximum light output. Positive reflector mounting, without tools, pulls trim tight to ceiling. Lower spun parabolic reflector, .050 thick aluminum available in a variety of Alzak® finishes.

Lens

Choice of tempered Fresnel, prismatic, diffuse, or clear glass lenses or molded prismatic acrylic, opal diffuser, or clear UV stabilized acrylic.

Crossblade

Lower spun parabolic reflector with 90° louvers, .050 thick aluminum in a variety of Alzak® finishes.

Mechanical Housing Mounting Frame

One piece precision die cast aluminum 1-1/2" deep collar accommodates varying dimensions of ceiling materials.

Universal Mounting Bracket

Accepts 1/2" EMT, C Channel, T bar fasteners, and bar hangers. Adjusts 5" vertically from above or below ceiling.

Conduit Fittings

Die cast screw tight connectors.

Junction Box

Listed for eight #12AWG (four in, four out) 90°C conductors feed through branch wiring. 1/2" and two 3/4" pry outs. Positioned to allow straight conduit runs. Access to junction box by removing reflector.

Trim Ring Options

Self flanged or molded white trim ring. Rimless trim ring accessory available.

Socket Connector

One piece die cast aluminum connection allows venting for maximum thermal performance.

Catalog #		Type
Project		
Comments		Date
Prepared by		

Rotary Lock Socket

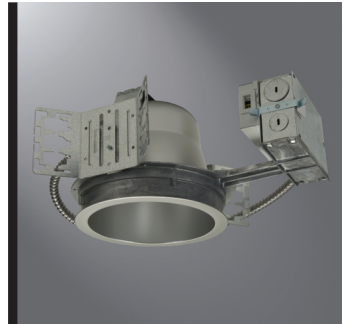
4-pin fatigue free stainless steel lamp spring ensures positive lamp retention.

Electronic Ballast with Quick Disconnect

Electronic ballast provides full light output and rated lamp life. Provides flicker free and noise free operation and starting. End of lamp life protection is standard.

Labels

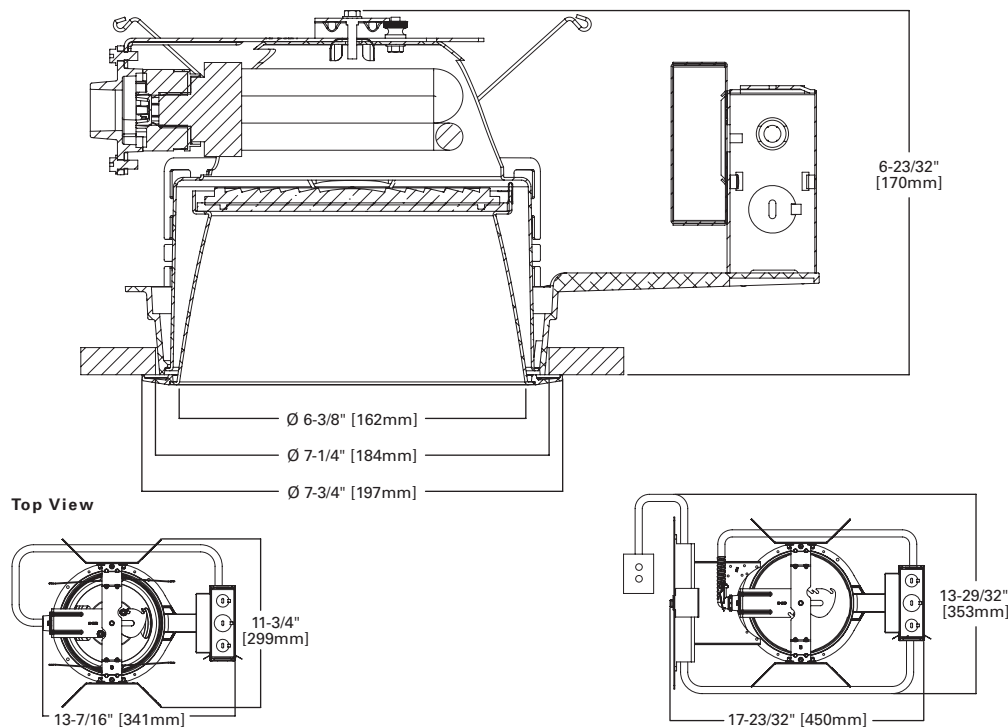
cULus listed, standard wet label. Electronic ballast housings include peel down wattage label from 42W down to 26W allowing de-rating to meet max wattage requirements. Meets IECC, ASHRAE, and Title 24 commercial standards. commercial standards.



CD6126
CD6118
CD6142
CD6113
6CLH142

13W, 18W or 26W DTT
 13W,26W,32W,42W TTT or PLT
 Compact Fluorescent

6-Inch Horizontal
 Lensed Downlight



ENERGY DATA	
13W DTT	
Ballast: Electronic	
120V Input Watts: 16	Line Amps: 0.13
277V Input Watts: 16	Line Amps: 0.05
18W DTT	
Ballast: Electronic	
120V Input Watts: 19	Line Amps: 0.15
277V Input Watts: 19	Line Amps: 0.07
26W TTT	
Ballast: Electronic	
120V Input Watts: 27	Line Amps: 0.23
277V Input Watts: 29	Line Amps: 0.11
32W TTT	
Ballast: Electronic	
120V Input Watts: 36	Line Amps: 0.31
277V Input Watts: 36	Line Amps: 0.13
42W TTT	
Ballast: Electronic	
120V Input Watts: 46	Line Amps: 0.38
277V Input Watts: 46	Line Amps: 0.17
Power Factor: >0.99	THD: <10%
Min. Starting Temperature: -18°C (0°F)	
Sound Rating: Class A Standards	

NOTES: Accessories should be ordered separately. For additional options, please consult your Cooper Lighting Representative. Alzak is a registered trademark of Aluminum Company of America.



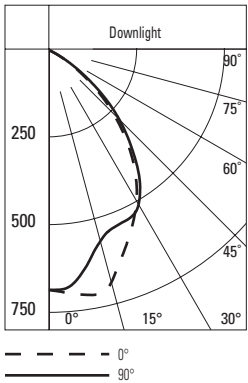
EXAMPLE: CD6142E 6CLH1421L11

Housing	Ballast	Options	Trims	Finish	Lens	Option	Accessories	
<p>CD6142=6" Horizontal 26/32/42 TTT Lamp</p> <p>CD6118=6" Horizontal 18 DTT Lamp</p> <p>CD6126=6" Horizontal 26 DTT Lamp</p> <p>CD6113=6" Horizontal 13W DTT/TTT</p>	<p>E=120/277V 50/60 Hz Electronic</p> <p>3E=347V 50/60 Hz Electronic</p> <p>EDR26=26W Derated label electronic</p> <p>EDR32=32W Derated label electronic</p> <p>D5LT=18 or 26W 120-277V Fifth Light (DALI) Dimming for (CD6118 or CD6126 only)</p> <p>D5LT42=42W 120-277V Fifth Light (DALI) Dimming</p> <p>D5LT32=32W 120-277V Fifth Light (DALI) Dimming</p> <p>D5LT26=26W 120-277V Fifth Light (DALI) Dimming</p> <p>3D5LT32=32W 347V Fifth Light (DALI) Dimming</p> <p>3D5LT26=26W 347V Fifth Light (DALI) Dimming</p> <p>3D5LT=26W 347V Fifth Light (DALI) Dimming for (CD6126 only)</p> <p>D42=42W 120-277V Dimming, Lutron EcoSystem/3-WireControl (Factory Wired for 3-Wire)</p> <p>D26/32=26 or 32W 120-277V Dimming, Lutron EcoSystem/3-WireControl (Factory Wired for 3-Wire)</p> <p>D=120-277V Dimming Lutron EcoSystem/3-Wire Control (Factory Wired for 3-Wire)</p> <p>D26MARKVII=26W 120-277V Advance MARK7</p> <p>D32MARKVII=32W 120-277V Advance MARK7</p> <p>D42MARKVII=42W 120-277V Advance MARK7</p> <p>DMARKVII=18W or 26W 120-277V Advance MARK 7 (CD6118 or CD6126 only)</p> <p>1D26MARKX=26W 120V Advance MARK 10</p> <p>1D32MARKX=32W 120V Advance MARK 10</p> <p>1D42MARKX=42W 120V Advance MARK 10</p> <p>2D26MARKX=26W 277V Advance MARK 10</p> <p>2D32MARKX=32W 277V Advance MARK 10</p> <p>2D42MARKX=42W 277V Advance MARK 10</p> <p>1DMARKX=18W or 26W 120V Advance MARK 10 (CD6118 or CD6126 only)</p> <p>2DMARKX=18W or 26W 277V Advance MARK 10 (CD6118 or CD6126 only)</p>	<p>CP=Chicago Plenum</p> <p>EM=Emergency Module with remote test switch²</p>	<p>6CLH1421=6" wide beam reflector self flanged</p> <p>6CLH1420=6" wide beam reflector polymer trim ring</p>	<p>Alzak® Finishes</p> <p>LI=Specular Clear</p> <p>H=Semi-Specular Clear</p> <p>WMH=Warm Haze</p> <p>G=Gold</p> <p>WH=Wheat</p> <p>WHH=Wheat Haze</p> <p>GP=Graphite</p> <p>GPH=Graphite Haze</p> <p>B=Black</p> <p>Painted Finishes</p> <p>W=Gloss White</p> <p>WB=White Baffle (polymer trim ring only)</p> <p>BB=Black Baffle (polymer trim ring only)</p>		<p>1=Prismatic Acrylic Lens</p> <p>2=Diffuse Acrylic Lens</p> <p>3=Clear Acrylic Lens</p> <p>1G=Prismatic Glass Lens</p> <p>2G=Diffuse Glass Lens</p> <p>3G=Clear Glass Lens</p> <p>4G=Fresnel Lens</p> <p>5=Crossblade</p>	<p>WF=White Painted Flange</p>	<p>HB26=C Channel Bar Hangers, 26" Long, Pair</p> <p>HB50=C Channel Bar Hangers, 50" Long, Pair</p> <p>TRMC6P=White Metal Trim Ring¹</p> <p>TRRC6=Trimless Trim Ring, White¹</p> <p>FK5=5 Amp Field Installable Fuse Kit 300V Max</p> <p>RMB22=Wood Joist Bar Hanger, 22" Long, Pair</p> <p>HSAC6=Slope Adapter for 6" Aperture Housings, Specify Slope</p> <p>TRMC6=CFL Metal Trim Ring¹</p>

Notes: ¹Order trim with polymer trim ring. ² Not available with Chicago Plenum. (Consult specification sheet for ordering information and options).

PHOTOMETRICS

Candlepower Distribution Curve



Test No. P13274
 CD6142E 6CLH1421L11
 Lumens = 969
 Efficiency = 44.00%
 Lamp = 32W TTT
 SC (parallel - perpendicular) = 1.06 - 1.12

Cone of Light

Distance Fixture to Lighted Plane	Initial Footcandles at Nadir	L/W	
5.5'	23	5.7'	6'
7.5'	12	7.8'	8.2'
8'	11	8.3'	8.8'
10'	7	10.4'	11'
12'	5	12.5'	13.2'

Candela Distribution

Degrees Vertical	Candela
0	679
5	692
15	682
25	555
35	427
45	263
55	102
65	6
75	1
85	0
90	0

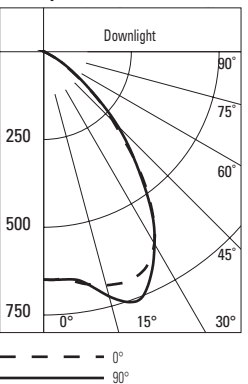
Zonal Lumen Summary

Zone	Lumens	%Fixture
0-30	472	44.6
0-40	736	69.6
0-60	1044	98.8
0-90	1057	100.0
90-180	0	0.0
0-180	1057	100.0

Luminance

Average Candela/M ² Degrees	Avg. 0° Luminance
45	18055
55	8632
65	689
75	188
85	0

Candlepower Distribution Curve



Test No. P13278
 CD6142E 6CH142W1L3
 Lumens = 1199
 Efficiency = 50.00%
 Lamp = 32W TTT
 SC (parallel - perpendicular) = 1.27 - 1.32

Cone of Light

Distance Fixture to Lighted Plane	Initial Footcandles at Nadir	L/W	
5.5'	21	6.8'	7.2'
7.5'	12	9.3'	9.8'
8'	10	10'	10.4'
10'	6	12.5'	13.2'
12'	5	15'	15.8'

Candela Distribution

Degrees Vertical	Candela
0	646
5	646
15	685
25	679
35	529
45	277
55	95
65	5
75	1
85	0
90	0

Zonal Lumen Summary

Zone	Lumens	%Fixture
0-30	564	47.0
0-40	877	73.1
0-60	1186	98.9
0-90	1199	100.0
90-180	0	0.0
0-180	1199	100.0

Luminance

Average Candela/M ² Degrees	Avg. 0° Luminance
45	19016
55	8040
65	574
75	188
85	0