

## DESCRIPTION

Low brightness 7-3/8-inch aperture downlight for use with (2) 26W, 32W, or 42W Triple Twin Tube 4-pin compact fluorescent lamps. The precisely formed non-imaging optical reflector ensures 55° cutoff to lamp and lamp image and the one piece design eliminates light leaks at the ceiling. Standard features include low iridescent finish on all reflector colors to eliminate "rainbowing" and one electronic ballast to operate (2)26/32/42W triple lamps. Venting ensures maximum lamp life and lumen output. Optics offer unparalleled performance in glare free lighting with a smooth beam devoid of hot spots. Open downlight, lensed, and open wall wash trims are interchangeable within the same housing.

## SPECIFICATION FEATURES

### Reflector

One piece spun parabolic contour, available in a variety of Alzak® finishes. Positive reflector mounting, without tools, pulls trim tight to ceiling. Also available with white or black baffle.

### Trim Ring Options

Self flanged or molded white trim ring. Rimless or metal trim ring accessories available.

### Socket Connector

One piece die cast aluminum connection allows venting for maximum thermal performance.

### Housing Mounting Frame

One piece precision die cast aluminum 1-1/2" deep collar accommodates varying dimensions of ceiling materials.

### Universal Mounting Bracket

Accepts 1/2" EMT, C Channel, T bar fasteners, and bar hangers. Adjusts 5" vertically from above or below ceiling.

### Conduit Fittings

Die cast screw tight connectors.

### Junction Box

Listed for eight #12AWG (four in, four out) 90°C conductors feed through branch wiring. One 1/2" and two 3/4" pry outs. Positioned to allow straight conduit runs. Access to junction box by removing reflector.

Catalog #		Type
Project		
Comments		Date
Prepared by		

### Socket Rotary Lock

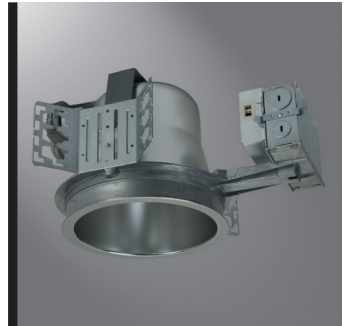
4 pin GX24q3/4 base with fatigue free stainless steel lamp spring ensures positive lamp retention.

### Electronic Ballast

Electronic ballast provides full light output and rated lamp life. Provides flicker free and noise free operation and starting.

### Labels

cULus listed, standard damp label.



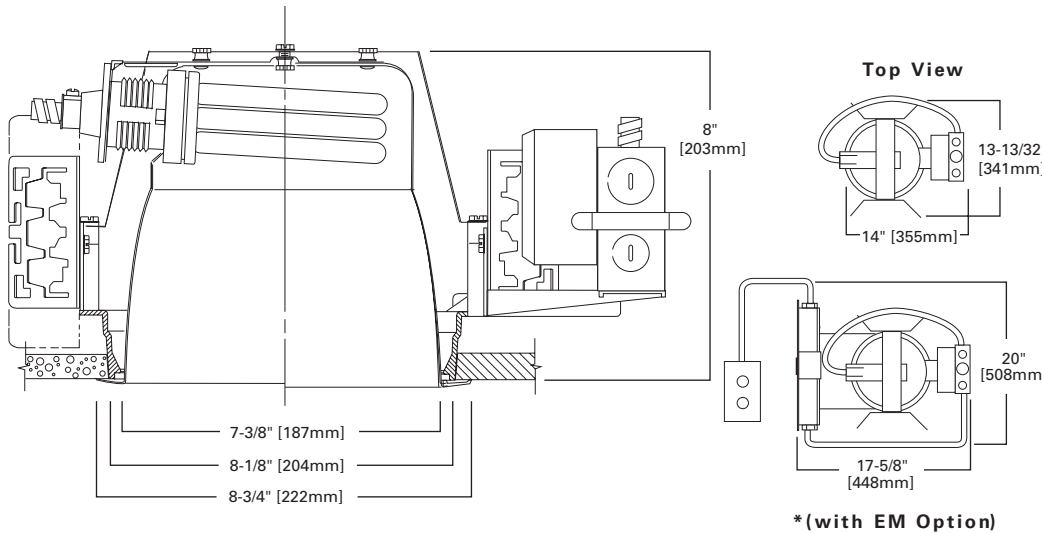
## C7242 7351/7350

(2) 26W, 32W, 42W

TTT or PLT

Compact Fluorescent

7-Inch Open Downlight



ENERGY DATA	
<b>(2) 26W TTT</b>	
Ballast: Electronic	
120V Input Watts: 55	Line Amps: 0.46
277V Input Watts: 55	Line Amps: 0.21
Power Factor: >0.98	THD: <10%
Min. Starting Temperature: -10°C (0°F)	
Sound Rating: Class A Standards	
<b>(2) 32W TTT 4-pin</b>	
Ballast: Electronic	
120V Input Watts: 69	Line Amps: 0.57
277V Input Watts: 69	Line Amps: 0.27
Power Factor: >0.99	THD: <10%
Min. Starting Temperature: -10°C (0°F)	
Sound Rating: Class A Standards	
<b>(2) 42W TTT 4-pin</b>	
Ballast: Electronic	
120V Input Watts: 93	Line Amps: 0.71
277V Input Watts: 93	Line Amps: 0.30
Power Factor: >0.99	THD: <10%
Min. Starting Temperature: -10°C (0°F)	
Sound Rating: Class A Standards	

**NOTES:** Accessories should be ordered separately. For additional options, please consult your Cooper Lighting Representative. Alzak is a registered trademark of Aluminum Company of America.

**ORDERING INFORMATION**

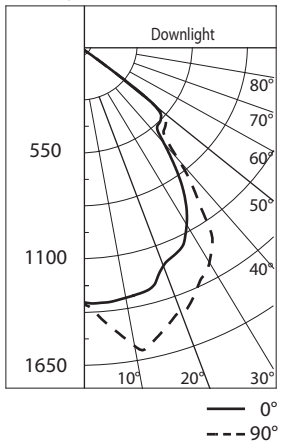
EXAMPLE: C7242E 7350LI

Housing	Number of Lamps	Wattage	Ballast	Options	Trims	Finish	Options	Accessories			
C7=7" Horizontal Lamp	2=2 Lamps	42=26W, 32W, or 42W TTT or PLT Lamp		<b>CP</b> =Chicago Plenum Module with RemoteTest Switch <b>EM</b> =Emergency Module with integral test switch <b>IEM</b> =Emergency Module with integral test switch <b>2C</b> =(2) ballasts for Hi-Low Switching <b>2CMS</b> =2 Circuit Master Satellite (2 housings, order 2 trims)	<b>7351</b> =Self-Flanged Trim Ring <b>7350E</b> =Molded Trim Ring, use with IEM <b>7351E</b> =Self-Flanged, use with IEM <b>7350E</b> =Molded Trim Ring, use with IEM	<b>LI</b> =Low Iridescent Clear <b>H</b> =Haze <b>WMH</b> =Warm Haze <b>G</b> =Gold <b>WH</b> =Wheat <b>W</b> =Gloss White <b>GP</b> = Graphite <b>GPH</b> =Graphite Haze <b>BB</b> =Black Baffle (7350 only) <b>WB</b> =White Baffle (7350 only)	<b>WF</b> =White painted Flange (self Flanged only)	<b>HB26</b> =C Channel Bar Hangers, 26" Long, Pair <b>HB50</b> =C Channel Bar Hangers, 50" Long, Pair <b>TRM7</b> =Metal Trim Ring, Specify Finish' <b>TRR7</b> =Rimless Trim Ring, White' <b>FK5</b> =5 Amp Field Installable Fuse Kit 300V Max <b>DT7</b> =Deco Trims' <b>RMB-22</b> =Wood Joist Bar Hanger, 22" Long, Pair <b>HTSA7</b> =Slope Adapter for 7" Aperture Housings, Specify Slope			
<b>E</b> =120/277V 50/60 Hz Electronic <b>3E</b> =347V 50/60 Hz Electronic <b>D5LT26</b> =26W 120-277V Fifth Light (DALI Dimming) <b>D5LT32</b> =32W 120-277V Fifth Light (DALI Dimming) <b>D5LT42</b> =42W 120-277V Fifth Light (DALI Dimming)				<b>3D5LT26/32</b> =26 or 32W 347V Fifth Light (DALI Dimming) <b>3D5LT42</b> =42W 347V Fifth Light (DALI Dimming) <b>D26/32</b> =26 or 32W 120-277V Lutron Ecosystem Dimming <b>D42</b> =42W 120-277V Lutron Ecosystem Dimming <b>EDR26</b> =DeRated Wattage Label, 26W <b>EDR32</b> =DeRated Wattage Label, 32W							

**Notes:** <sup>1</sup>Order trim with polymer trim ring (Consult specification sheet for ordering information and options).

**PHOTOMETRICS**

Candlepower Distribution Curve



Candelas

Degree	CD
0	1279
5	1293
15	1277
25	1153
35	938
45	565
55	147
65	6
75	2
85	0
90	0

Characteristics

Spacing Criteria = 1.2  
Efficiency = 51.8%

Test No. H23496  
C7242 7351LI  
Lamp = 32W PLT  
Lumens = 2400  
26W Multiplier = 0.75  
42W Multiplier = 1.33

Average Luminance

Angle	0°
45°	28008
55°	8983
65°	498
75°	271
85°	0

Cone of Light

Distance Fixture to Lighted Plane	Initial Footcandles at Nadir	Beam Diameter
6'0"	40	7'0"
7'6"	26	8'6"
8'0"	23	9'0"
10'0"	14	11'6"
13'0"	9	15'0"

Zonal Lumen Summary

Zone	Lumens	%Lamp	%Fixt
0- 30	1131	23.6	45.5
0- 40	1777	37.0	71.5
0- 60	2476	51.6	99.6
0- 90	2486	51.8	100.0
90-180	0	0.0	0.0
0-180	2486	51.8	100.0

Coefficients of Utilization

Ceiling	80%				70%				50%				30%				10%				0%
	70	50	30	10	70	50	30	10	50	30	10	50	30	10	50	30	10	50	30	10	0
Wall %	Zonal cavity method -- floor reflectance = 20%																				
RCR	Zonal cavity method -- floor reflectance = 20%																				
0	62	62	62	62	60	60	60	60	58	58	58	55	55	55	53	53	53	52	52	52	52
1	58	56	55	54	57	55	54	53	53	52	51	51	50	50	49	49	48	48	47	47	47
2	55	51	49	47	53	51	48	46	49	47	45	47	46	44	46	44	43	43	42	42	42
3	51	47	44	41	50	46	43	41	45	42	40	43	41	40	42	40	39	38	38	38	38
4	48	43	39	37	47	42	39	36	41	38	36	40	37	35	39	37	35	34	34	34	34
5	44	39	35	33	43	39	35	33	38	35	32	37	34	32	36	33	32	31	31	31	31
6	41	36	32	29	41	35	32	29	35	31	29	34	31	29	33	31	29	28	28	28	28
7	39	33	29	27	38	33	29	26	32	29	26	31	28	26	31	28	26	25	25	25	25
8	36	30	27	24	36	30	27	24	24	20	26	24	29	26	24	28	26	24	23	23	23
9	34	28	25	22	34	28	24	22	27	24	22	27	24	22	26	24	22	21	21	21	21
10	32	26	23	20	32	26	23	20	25	22	20	25	22	20	25	22	20	19	19	19	19