

## DESCRIPTION

Low brightness 7-3/8-inch aperture wall wash for use with a 18W or 26W Quad Tube 4-pin compact fluorescent lamp. The geometric stepped reflector maximizes flux towards the wall and is spectrally neutral leaving the color temperature and the color rendering of the source unchanged. It is available in single and double wall wash versions. Optics offer unparalleled performance with uniform luminance on wall, no flashback, and glare free downlighting. Open downlight, lensed, and open wall wash trims are interchangeable within the same housing.

<b>Catalog #</b>		<b>Type</b>
<b>Project</b>		
<b>Comments</b>		<b>Date</b>
<b>Prepared by</b>		

## SPECIFICATION FEATURES

### Reflector

Injection molded Geometric Reflector for Uniform Vertical Illumination is vacuum metallized with polysiloxane hardcoat finish. One piece spun parabolic downlight reflector, .050 thick aluminum, available in a variety of Alzak® finishes.

### Trim Ring Options

Self flanged or molded white trim ring. Rimless or metal trim ring accessories available.

### Socket Connector

One piece die cast aluminum connection allows venting for maximum thermal performance.

### Housing Mounting Frame

One piece precision die cast aluminum 1-1/2" deep collar accommodates varying dimensions of ceiling materials.

### Universal Mounting Bracket

Accepts 1/2" EMT, C Channel, T bar fasteners, and bar hangers. Adjusts 5" vertically from above or below ceiling.

### Conduit Fittings

Die cast screw tight connectors.

### Junction Box

Listed for eight #12AWG (four in, four out) 90°C conductors feed through branch wiring. 1/2" and two 3/4" pry outs. Positioned to allow straight conduit runs. Access to junction box by removing reflector.

### Socket

26W lamps: 4-pin G24q3.  
18W lamps: 4-pin G24q2 base.  
Bases have fatigue free stainless steel lamp spring to ensure positive lamp retention.

### Ballasts

Electronic ballast provides full light output and rated lamp life. Provides flicker free and noise free operation and starting. End of lamp life protection is standard.

### Labels

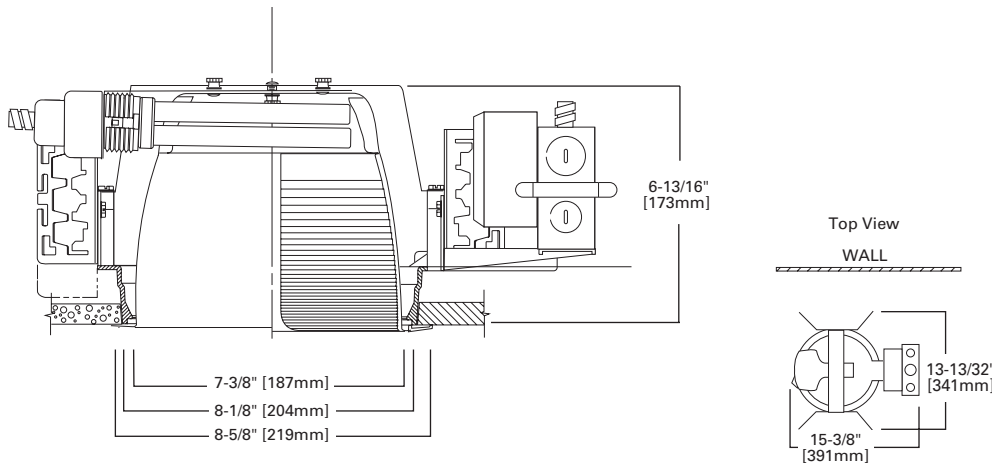
cULus listed, C.S.A. certified, standard damp label.



**C7118**  
**C7126**  
**7211/7210**  
**7221/7220**

**18W, 26W Quad**  
**Compact Fluorescent**

**7-Inch Open Wall Wash**



ENERGY DATA	
<b>18W Quad 4-pin</b>	
Ballast: Electronic	
120V Input Watts: 19	Line Amps: 0.15
277V Input Watts: 19	Line Amps: 0.07
Power Factor: >0.99	THD: <10%
Min. Starting Temperature: -10°C (15°F)	
Sound Rating: Class A Standards	

26W Quad 4-pin	
Ballast: Electronic	
120V Input Watts: 27	Line Amps: 0.22
277V Input Watts: 27	Line Amps: 0.09
Power Factor: >0.99	THD: <10%
Min. Starting Temperature: -10°C (15°F)	
Sound Rating:	

**NOTES:** Accessories should be ordered separately. For additional options, please consult your Cooper Lighting Representative. Alzak is a registered trademark of Aluminum Company of America.

**ORDERING INFORMATION**

EXAMPLE: C7226E /Z10G

Housing	Lamps	Wattage	Ballast	Options	Trims	Finish	Options	Accessories
<b>C7</b> =7" Horizontal Lamp <b>1</b> =1 Lamp <b>2</b> =2 Lamps	<b>18</b> =18W DTT Lamp <b>26</b> =26W DTT Lamp	<b>E</b> =120/277V 50/60 Hz Electronic <b>3E</b> =347V 50/60 Hz Electronic <b>D5LT</b> =120-277V Fifth Light (DALI Dimming) <b>3D5LT</b> =347V Fifth Light (DALI Dimming) (26W only) <b>D</b> =120 -277V Lutron EcoSystem Dimming	<b>CP</b> =Chicago Plenum <b>EM</b> =Emergency Module with Remote Test Switch <b>2C</b> =(2) ballasts for Hi-Low Switching <b>2CMS</b> =2 Circuit Master Satellite (2 housings, order 2 trims)	<b>7211</b> =Single Wall Wash, Self Flanged <b>7210</b> =Single Wall Wash, Molded Trim Ring <b>7221</b> =Double Wall Wash, Self Flanged <b>7220</b> =Double Wall Wash, Molded Trim Ring	<b>LI</b> =Low Iridescent Clear <b>H</b> =Haze <b>WMH</b> =Warm Haze <b>G</b> =Gold <b>WH</b> =Wheat <b>W</b> =Gloss White <b>GP</b> =Graphite <b>GPH</b> =Graphite Haze	<b>WF</b> =White painted flange (self flanged only)	<b>HB26</b> =C Channel Bar Hangers, 26" Long, Pair <b>HB50</b> =C Channel Bar Hangers, 50" Long, Pair <b>TRM7</b> =Metal Trim Ring, Specify Finish <sup>1</sup> <b>TRR7</b> =Rimless Trim Ring, White <b>FK5</b> =5 Amp Field Installable Fuse Kit 300V Max <b>DT7</b> =Deco Trims <sup>1</sup> <b>RMB-22</b> =Wood Joist Bar Hanger, 22" Long, Pair	

Notes: <sup>1</sup> Order trim with polymer trim ring (Consult specification sheet for ordering information and options).

**PHOTOMETRICS**

C7118, C7126 7211/7210, 7221/7220

