

DESCRIPTION

Low brightness 7-3/8-inch aperture downlight for use with a 26W or 32W Triple Twin Tube 4-pin lamp. The precisely formed non-imaging reflector ensures 45° cutoff to lamp and lamp image and the one piece design eliminates light leaks at the ceiling. Standard features include low iridescent finish on all reflector colors to eliminate "rainbowing". One electronic ballast operates 26W and 32W triple lamps. Venting ensures maximum lamp life and lumen output. Medium beam, wide beam, lensed reflectors and open wall wash trims are interchangeable within the same housing.

SPECIFICATION FEATURES

Reflector

Available in a variety of Alzak® finishes, .050 thick aluminum, in a one piece spun macrofocal parabolic contour. Positive reflector mounting pulls trim tight to ceiling.

Trim Ring

Self flanged or molded white trim ring. Rimless or metal trim ring accessories available.

Socket Cap

One piece vented and finned die cast aluminum cap for maximum thermal performance.

Housing Mounting Frame

One piece precision die cast aluminum 1-1/2" deep collar accommodates varying dimensions of ceiling materials.

Universal Mounting Bracket

Accepts 1/2" EMT, C Channel, T bar fasteners, and bar hangers. Adjusts 5" vertically from above or below ceiling.

Conduit Fittings

Die cast screw tight connectors.

Junction Box

Listed for eight #12AWG (four in, four out) 90°C conductors feed through branch wiring. 1/2" and two 3/4" pry outs. Positioned to allow straight conduit runs. Access to junction box by removing reflector.

Socket

4-pin GX24q-3 base with fatigue free stainless steel lamp spring ensures positive lamp retention.

Catalog #		Type
Project		
Comments		Date
Prepared by		

Electronic Ballast

Electronic ballast provides full light output and rated lamp life. Provides flicker free and noise free operation and starting. End of lamp life protection is standard.

Labels

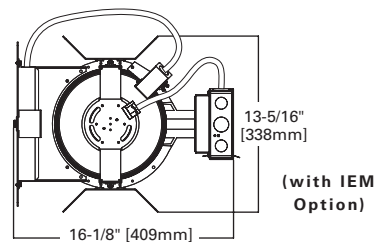
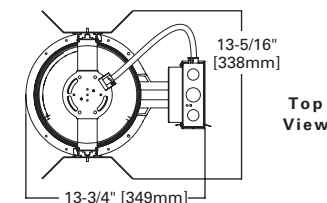
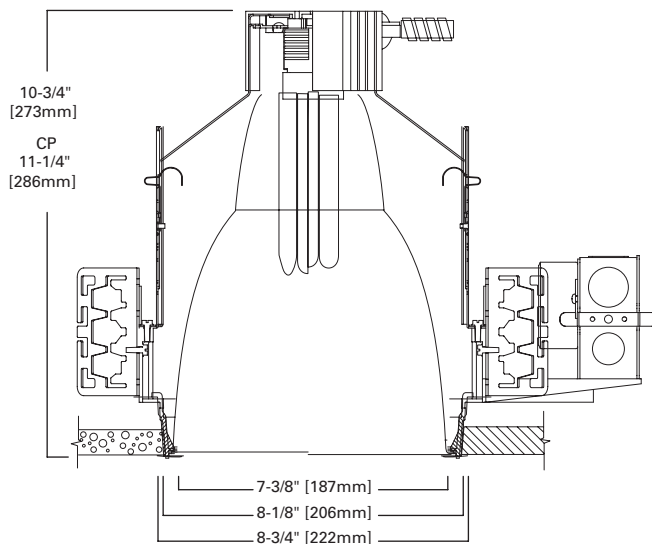
cULus listed, standard damp label.



C7042 7001/00

26W, 32W TTT or PLT
Compact Fluorescent

7-Inch Medium Beam
Open Downlight



ENERGY DATA	
26W TTT 4-pin	
Ballast: Electronic	
120V Input Watts: 29	Line Amps: 0.25
277V Input Watts: 29	Line Amps: 0.10
Power Factor: >0.99	THD: <10%
Min. Starting Temperature: -10°C (15°F)	
Sound Rating: Class A Standards	

ENERGY DATA	
32W TTT 4-pin	
Ballast: Electronic	
120V Input Watts: 36	Line Amps: 0.32
277V Input Watts: 36	Line Amps: 0.16
Power Factor: >0.99	THD: <10%
Min. Starting Temperature: -10°C (10°F)	
Sound Rating: Class A Standards	

NOTES: Accessories should be ordered separately. For additional options, please consult your Cooper Lighting Representative. Alzak is a registered trademark of Aluminum Company of America.

ORDERING INFORMATION

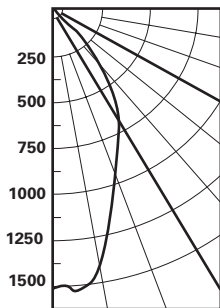
EXAMPLE: C7042E 7000G

Housing	Wattage	Ballast	Options	Trims	Finish	Options	Accessories
<p>C70=7" CF Vertical</p> <p>42=(1) 26W or 32W TTT or PLT Lamp</p> <p>E=120/277V 50/60 Hz Electronic 3E=347V 50/60 Hz Electronic D5LT26=26W 120-277V Fifth Light (DALI Dimming) D5LT32=32W 120-277V Fifth Light (DALI Dimming) 3D5LT26/32=26 or 32W 347V Fifth Light (DALI Dimming) D26/32=26 or 32W 120-277V Lutron Ecosystem Dimming EDR26=DeRated Wattage Label, 26W EDR32=DeRated Wattage Label, 32W</p>			<p>CP=Chicago Plenum EM=Emergency Module with RemoteTest Switch IEM=Emergency Module with integral test switch</p>	<p>7001=Self-Flanged 7000=Molded Trim Ring, White 7001E=Self-Flanged, use with IEM 7000E=Molded Trim Ring, White, use with IEM</p>	<p>LI=Low Iridescent Clear H=Haze WMH=Warm Haze G=Gold WH=Wheat W=Gloss White GP=Graphite GPH=Graphite Haze</p>	<p>WF=White Painted Flanged (Self Flanged only)</p>	<p>HB26=C Channel Bar Hangers, 26" Long, Pair HB50=C Channel Bar Hangers, 50" Long, Pair TRM7=Metal Trim Ring, Specify Finish ¹ TRR7=Rimless Trim Ring, White ¹ FK5=5 Amp Field Installable Fuse Kit 300V Max DT7=Deco Trims ¹ RMB-22=Wood Joist Bar Hanger, 22" Long, Pair HSA7=Slope Adapter for 7" Aperture Housings, Specify Slope</p>

Notes: ¹Order trim with polymer trim ring (Consult specification sheet for ordering information and options).

PHOTOMETRICS

Candlepower Distribution



Test No. H23177
C7042 7000LI
Medium Beam Reflector
 Lamp=32W TTT
 Lumens=2400
 Spacing
 Criterion=0.8
 Efficiency=59.8%

Candlepower

Deg.	CD
0	1511
5	1539
15	1215
25	850
35	585
45	260
55	6
65	0
75	0
85	0
90	0

Average Luminance

Deg.	CD/SQ M
45	13337
55	379
65	0
75	0
85	0

Cone of Light

Distance to Illuminated Plane	Initial Nadir Footcandles	Beam Diameter
5'6"	50	4'6"
6'6"	36	5'6"
8'0"	24	6'6"
10'0"	15	8'0"
12'0"	10	9'6"
14'0"	8	11'0"

Beam diameter is to 50% of maximum footcandles, rounded to the nearest half-foot.

Footcandle values are initial, apply appropriate light loss factors where necessary.

Lamp Multiplier: 26W TTT=.75
 EM Multiplier (in emergency mode)
 EM=.27

Zonal Lumen Summary

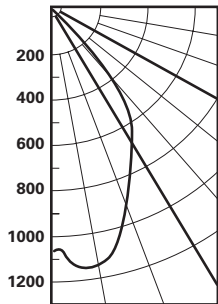
Zone	Lumens	%Lamp	%Luminaire
0-30	875	36.4	60.9
0-40	1237	31.5	86.1
0-60	1434	59.8	99.9
0-90	1436	59.8	100.0
90-180	0	0.0	0.0
0-180	1436	59.8	100.0

Coefficient of Utilization

rc	80%				70%				50%				30%				10%				0%
	70	50	30	10	50	30	10	50	10	50	10	50	10	50	10	50	10	0			
RCR																					
0	71	71	71	71	70	70	70	66	66	64	64	61	61	61	61	61	61	61	60		
1	68	67	65	64	65	64	63	63	61	61	59	59	58	58	58	58	58	58	57		
2	65	63	60	59	62	60	58	60	57	58	56	56	56	56	56	56	56	56	53		
3	62	59	56	54	58	56	54	57	53	55	52	54	51	54	51	50	50	50	50		
4	60	55	52	50	55	52	50	54	49	52	49	51	48	51	48	47	47	47	47		
5	57	52	49	47	52	49	46	51	46	50	46	49	45	49	45	44	44	44	44		
6	54	49	46	43	49	46	43	48	43	47	43	46	42	46	42	42	42	42	42		
7	51	46	43	40	46	42	40	45	40	44	40	44	40	44	40	39	39	39	39		
8	49	43	40	37	43	40	37	42	37	42	37	41	37	41	37	36	36	36	36		
9	46	40	37	35	40	37	35	39	34	39	34	38	34	38	34	33	33	33	33		
10	44	38	34	32	38	34	32	37	32	37	32	36	32	36	32	31	31	31	31		

rc=Ceiling reflectance, rw=Wall reflectance, RCR=Room cavity ratio
 CU Data Based on 20% Effective Floor Cavity Reflectance.

Candlepower Distribution



Test No. H23183
C7032-7000LI
Medium Beam Reflector
 Lamp=32W PLT
 Lumens=2400
 Spacing
 Criterion=1.0
 Efficiency=51.3%

Candlepower

Deg.	CD
0	1075
5	1129
15	1052
25	797
35	551
45	141
55	5
65	0
75	0
85	0
90	0

Average Luminance

Deg.	CD/SQ M
45	7233
55	316
65	0
75	0
85	0

Cone of Light

Distance to Illuminated Plane	Initial Nadir Footcandles	Beam Diameter
5'6"	36	5'6"
6'6"	25	6'6"
8'0"	17	8'0"
10'0"	11	10'0"
12'0"	7	12'0"
14'0"	5	14'0"

Beam diameter is to 50% of maximum footcandles, rounded to the nearest half-foot.

Footcandle values are initial, apply appropriate light loss factors where necessary.

Lamp Multiplier: 26W PLT=.75
 EM Multiplier (in emergency mode) EM=.27

Zonal Lumen Summary

Zone	Lumens	%Lamp	%Luminaire
0-30	770	32.1	62.6
0-40	1109	46.2	90.1
0-60	1230	51.3	99.9
0-90	1231	51.3	100.0
90-180	0	0.0	0.0
0-180	1231	51.3	100.0

Coefficient of Utilization

rc	80%				70%				50%				30%				10%				0%			
	70	50	30	10	50	30	10	50	10	50	10	50	10	50	10	50	10	50	10	50	10	50	10	
RCR																								
0	61	61	61	61	60	60	60	57	57	55	55	52	52	51	51	49	49	49	49	49	49	49	49	
1	59	57	56	55	56	55	54	54	52	52	51	50	49	49	48	47	47	47	47	47	47	47		
2	56	54	52	50	53	51	50	51	49	50	48	48	47	46	46	46	46	46	46	46	46	46		
3	54	51	48	47	50	48	46	49	46	47	45	46	44	43	43	43	43	43	43	43	43	43		
4	51	48	45	43	47	45	43	46	43	45	42	44	42	41	41	41	41	41	41	41	41	41		
5	49	45	42	40	44	42	40	44	40	43	39	42	39	38	38	38	38	38	38	38	38	38		
6	47	42	40	38	42	39	37	41	37	41	37	40	37	36	36	36	36	36	36	36	36	36		
7	44	40	37	35	39	37	35	39	35	38	34	38	34	33	33	33	33	33	33	33	33	33		
8	42	37	34	32	37	34	32	37	32	36	32	36	32	31	31	31	31	31	31	31	31	31		
9	40	35	32	30	35	32	30	34	30	34	30	33	30	29	29	29	29	29	29	29	29	29		
10	38	33	30	28	33	30	28	32	28	32	28	31	28	27	27	27	27	27	27	27	27	27		

rc=Ceiling reflectance, rw=Wall reflectance, RCR=Room cavity ratio

CU Data Based on 20% Effective Floor Cavity Reflectance.