

## DESCRIPTION

Low brightness 4-1/2-inch aperture open wall wash downlight for use with 26W Triple Twin Tube compact fluorescent lamps. The Geometric reflector maximizes flux toward the wall and is spectrally neutral leaving the color temperature and color rendering unchanged. Available in single, double and corner wall wash versions. The one piece design eliminates light leaks at the ceiling. Standard features include low iridescent finish on all reflectors and venting to ensure maximum lamp life and lumen output. Optics offer unparallelled performance with uniform illuminance on wall, no flashback, and glare-free downlighting. Open downlight, lens, and open wall wash trims are interchangeable within the same housing.

## SPECIFICATION FEATURES

### Reflector

Injection molded Geometric Reflector for Uniform Vertical Illumination is vacuum metallized with polysiloxane hardcoat finish. One piece spun macrofocal parabolic downlight reflector, .050 thick aluminum, available in a variety of Alzak® finishes. Positive reflector mounting pulls trim tight to ceiling.

### Trim Ring Options

Self flanged or white trim ring. Rimless or metal trim ring available.

### Socket Cap

One piece vented and finned die cast aluminum cap for maximum thermal performance.

### Housing Mounting Frame

One piece precision die cast aluminum 1-1/2" deep collar accommodates varying dimensions of ceiling materials.

### Universal Mounting Bracket

Accepts 1/2" EMT, C Channel, T bar fasteners, and bar hangers. Adjusts 5" vertically from above or below ceiling.

### Conduit Fitting

Die cast screw tight connectors.

### Junction Box

Listed for eight #12AWG (four in, four out) 90°C conductors feed through branch wiring. 1/2" and two 3/4" pry outs. Positioned to allow straight conduit runs. Access to junction box by removing reflector.

### Socket

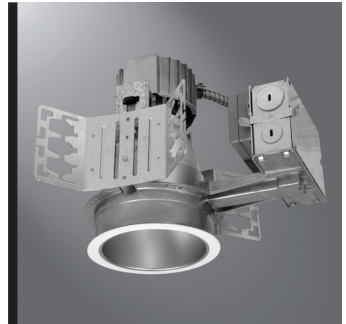
4 pin GX24q-3 base with fatigue free stainless steel lamp spring ensures positive lamp retention.

### Electronic Ballast

Electronic ballast provides full light output and rated lamp life. Provides flicker free and noise free operation and starting. End of lamp life protection is standard.

### Labels

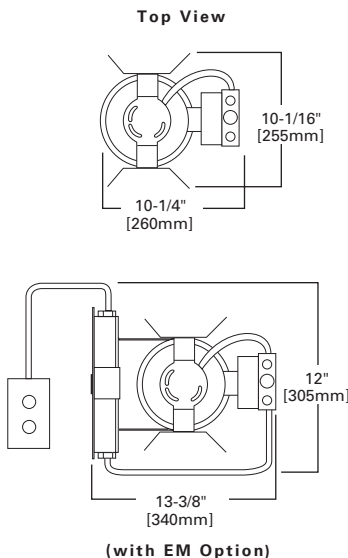
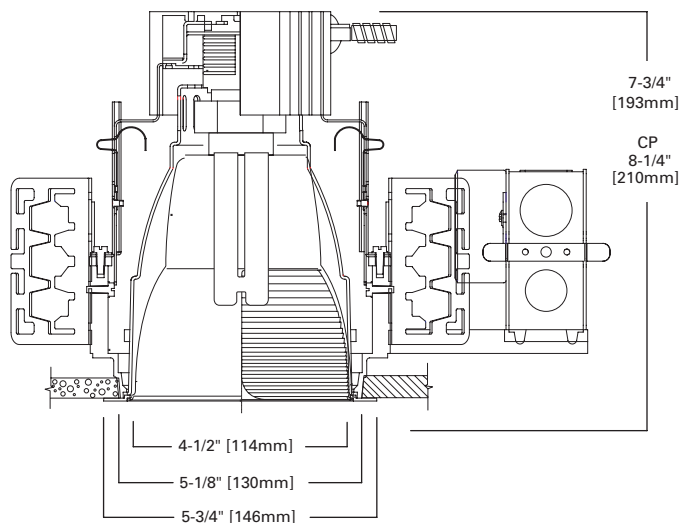
cULus listed, standard damp label.



**C4026**  
**4010/4011**  
**4020/4021**  
**4030/4031**

26W TTT  
Compact Fluorescent

4-Inch Open Wall Wash



ENERGY DATA	
26W TTT 4-pin	
Ballast: Electronic	
120V Input Watts: 29	Line Amps: 0.25
277V Input Watts: 26	Line Amps: 0.09
Power Factor: >0.99	THD: <90%
Min. Starting Temperature: -10°C (15°F)	
Sound Rating: Class A Standards	

**NOTES:** Accessories should be ordered separately. For additional options, please consult your Cooper Lighting Representative. Alzak is a registered trademark of Aluminum Company of America.

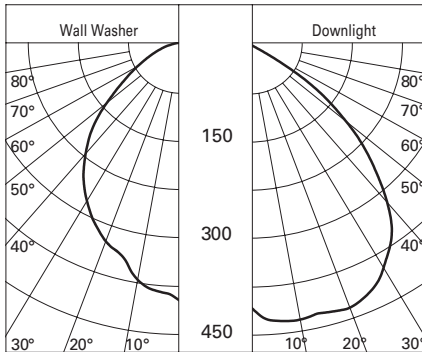
EXAMPLE: C4026E 4010H

Housing	Wattage	Ballast	Options	Trims	Finish	Options	Accessories
C40=4" CF Vertical	E=120/277V 50/60 Hz Electronic 3E=347V 50/60 Hz Electronic D5LT=120-277V Fifth Light (DALI Dimming) 3D5LT=347V Fifth Light (DALI Dimming) D=120-277V Dimming Lutron EcoSystem /3-WireControl (Factory Wired for 3-Wire) DMARKVII = 26W 120-277V Advance MARK 7 1DMARKX =26W 120V Advance MARK 10 2DMARKX =26W 277V Advance MARK 10		CP=Chicago Plenum EM=Emergency Module with RemoteTest Switch	4011=Reflector, Single WW, Self Flanged 4010=Reflector, Single WW, Molded Trim Ring, White 4021=Reflector, Double WW, Self Flanged 4020=Reflector, Double WW, Molded Trim Ring, White 4031=Reflector, Corner WW, Self Flanged 4030=Reflector, Corner WW, Molded Trim Ring, White	LI=Low Iridescent Clear H=Haze WMH=Warm Haze G=Gold WH=Wheat W=Gloss White GP=Graphite GPH=Graphite Haze	WF=White Painted Flange (Self Flanged only)	HB26=C Channel Bar Hangers, 26" Long, Pair HB50= C Channel Bar Hangers, 50" Long, Pair TRM4=Metal Trim Ring, Specify Finish <sup>1</sup> TRR4=Rimless Trim Ring, White <sup>1</sup> FK5=5 Amp Field Installable Fuse Kit 300V Max RMB-22=Wood Joist Bar Hanger, 22" Long, Pair

Notes: <sup>1</sup>Order trim with polymer trim ring (Consult specification sheet for ordering information and options).

PHOTOMETRICS

Candlepower Distribution Curve



Efficiency = 49.0%

Test No. H21332  
C4026 4010LI  
Lamp = 26W TTT

Single Unit Footcandles

Multiple Unit Footcandles

DD	2'6" from wall (distance from fixture along wall)						2' from wall (spacing between fixtures)			3' from wall (spacing between fixtures)								
	1'	2'	3'	4'	5'	6'	2'	3'	4'	3'	4'	5'	6'					
1	7	5	3	1	0	0	20	19	20	15	11	15	6	6	6	5	4	5
2	12	9	5	2	1	0	31	29	31	22	18	22	11	10	11	9	7	9
3	10	8	5	3	2	1	26	26	26	19	18	19	14	13	14	11	9	11
4	7	6	5	3	2	1	19	19	19	14	14	14	13	12	13	10	10	10
5	4	4	4	3	2	1	13	13	13	10	10	10	11	11	11	8	8	8
6	3	3	3	2	2	1	9	9	9	7	8	7	8	8	8	7	7	7
7	2	2	2	2	1	1	6	6	6	5	6	5	6	7	6	5	6	5
8	1	1	1	1	1	1	5	5	5	4	4	4	5	5	5	4	5	4
9	1	1	1	1	1	1	3	3	3	3	3	3	4	4	4	3	4	3
10	1	1	1	1	1	1	3	3	3	2	2	2	3	3	3	3	3	3

- Notes:
- Illuminance values for multiple fixtures are based upon the center two units of a four unit array. Footcandle values are centerline of fixtures and centered between fixtures.
  - Illuminance values are cosine corrected initial values with no contribution from inter reflections from other room surfaces. Total illumination may increase from contributions from other surfaces.
  - Changing fixture spacing will affect illuminance level.

$$\text{New Fc} = \frac{\text{Existing Spacing}}{\text{New Spacing}} \times \text{Average Table Fc Level}$$

- When selecting colored cones option, only downlight cone is colored; the wall wash reflector is specular clear. This allows the color (CRI, °K) of the light source to be unaffected and maximizes lumen output.

