

DESCRIPTION

Recessed 6 inch aperture lens downlight for two horizontal 13W or 18W double twin tube compact fluorescent lamps. Fixture is suitable for commercial construction and wet location listed. Insulation must be kept 3" from top and sides of housing. Universal input electronic ballast with dimming and emergency options.

Catalog #		Type
Project		
Comments		Date
Prepared by		

SPECIFICATION FEATURES

MECHANICAL

Frame

Boat shaped galvanized steel frame with 1/2" plaster lip accommodates ceilings up to 2" thick. May be used for new construction or remodeling installations. Provided with (2) remodel clips to secure frame when installed from below the ceiling.

Mounting Brackets

Bar hanger receivers adjusts 2" vertically from above the ceiling or thru the aperture. Use with No Fuss™ bar hangers or with 1/2" EMT. Removable to facilitate installation from below the ceiling.

No Fuss™ Bar Hangers

Pre-installed and centered bar hanger locks to tee grid with a screwdriver or pliers. Centering marks on the bar hanger mechanism allows consistent positioning of fixtures.

OPTICAL

Reflector

One piece aluminum reflector secures lens in place with integrated spring clips for a visually comfortable optic and allows for tool-less lens exchange from below the ceiling. Available with clear, diffuse, prismatic, fresnel or drop opal glass lens. Optional cross blade louver provides sharper cutoff to lamp. Self flanged standard.

- **Specular Reflectors** - Polished flange standard with white painted flange option.
- **Baffles and White Reflector** - White painted flange standard.

Trim Retention

Reflector is retained with two torsion springs and held tightly to the finished ceiling surface.

ELECTRICAL

Junction Box

(6) 1/2" and (2) 3/4" trade size pry outs positioned to allow straight conduit runs. Listed for (12) #12 AWG (six in, six out) 90°C conductors and feed thru branch wiring.

Lamp Socket

4-pin G24q base accepts (2) 13W or 18W DTT lamps.

Socket Housing

Galvanized steel socket housing attached securely to reflector with captive thumbscrew. Vents provide effective lamp thermal management.

Control Gear

Universal 120V - 277V UNV or 347V input electronic ballast for 13W or 18W compact fluorescent lamp.

Emergency Battery Pack

REM - Remote emergency test switch. Housing includes 120V/277V, 60Hz dual-tap battery pack provides 90 minutes of emergency illumination. Long life maintenance free sealed nickel cadmium batteries recharge fully in 24 hours. REM configuration includes prewired and attached remote test switch plate and indicator light. REM option is the standard emergency configuration, and is compatible with all standard reflector options, ordered separately.

IEM - Integral emergency test switch. Housing includes 120V/277V, 60Hz dual-tap battery pack provides 90 minutes of emergency illumination. Long life maintenance free sealed nickel cadmium batteries recharge fully in 24 hours. IEM configuration includes a prewired integral emergency test switch and indicator light that are both

accessible inside the reflector. The IEM option requires "EM" designated reflectors only, ordered separately.

Emergency Battery Pack - Average Lamp Lumen Ratings

REM option: (2) 13W 400lm, (2) 18W 550lm

IEM option: (2) 13W 900lm, (2) 18W 1010lm

(Note: average lamp lumens are based upon REM and IEM manufacturer ratings. Delivered lumens depend upon trim; refer to trim photometry to factor delivered lumens).

Code Compliance

- Thermally protected and cULus listed for wet locations.
- IP44 rated for lens trims.
- NFPA Life Safety (Emergency Battery Pack).
- EMI/RFI per FCC Title 47 CFR, Part 18, non consumer limits.
- High efficacy luminaire may be used to meet IECC, ASHRAE, and Title 24 commercial standards.



PD6H213
PD6H218
62H

(2) 13W or 18W DTT

Compact Fluorescent

6-Inch Aperture

Lens Downlight

New Construction or Remodel Non-IC

ENERGY DATA

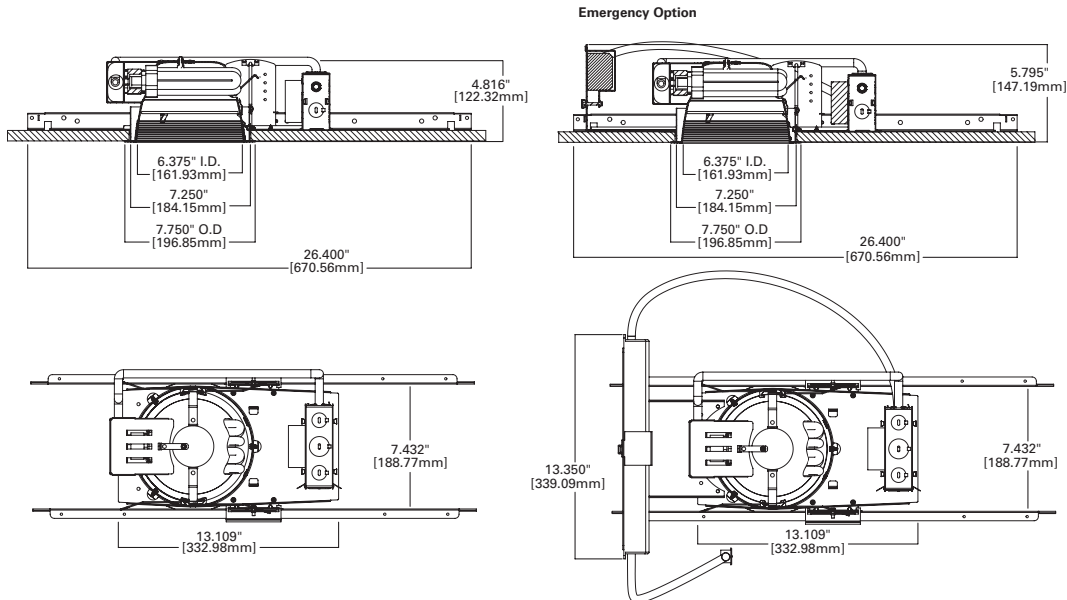
PD6H213E, PD6CPH213E	
Min. Starting Temp -5°F / -20°C	SOUND RATING CLASS A
EMI/RFI EMISSIONS FCC 47CFR PART 18 Non-Consumer Limits	
Input Frequency 50/60 Hz	POWER FACTOR > 0.98
THD < 10%	INPUT VOLTAGE 120V - 277V ±10%
CREST FACTOR < 1.7	BALLAST FACTOR 1.00
OPERATING FREQUENCY > 40kHz	UL LISTED CLASS P, TYPE 1 OUTDOOR, CSA OR C/UL CERTIFIED
(2) CFQ13W/G24Q	INPUT POWER 29W
	INPUT CURRENT 0.25A @ 120V
	INPUT CURRENT 0.11A @ 277V

PD6H2133E	
Min. Starting Temp 0°F / -18°C	SOUND RATING CLASS A
EMI/RFI EMISSIONS FCC 47CFR Part 18 Non-Consumer Limits	
Input Frequency 50-60Hz	POWER FACTOR > 0.98
THD < 10%	INPUT VOLTAGE 347VAC ±10%
Crest factor < 1.7	BALLAST FACTOR .98
Operating Frequency 62-72 kHz	cULUS CERTIFIED
(2) CFQ13W/G24Q	INPUT POWER 33W
	INPUT CURRENT 0.10A @ 347V

PD6H218E, PD6CPH218E	
Min. Starting Temp 0°F / -18°C	SOUND RATING CLASS A
EMI/RFI EMISSIONS FCC 47CFR Part 18 Non-Consumer Limits	
Input Frequency 50/60 Hz	Power Factor > 0.98
THD < 10%	Input Voltage 120V - 277V ±10%
Crest factor < 1.5	Ballast factor 0.95
Operating Frequency 50-60kHz	cULus, Class P, Type 1 Outdoor, Type CC, Type HL
(2) CFQ18W/G24Q	Input Power 35W
	Input Current 0.30A @ 120V
	Input Current 0.13A @ 277V

PD6H2183E	
Min. Starting Temp 0°F / -18°C	SOUND RATING CLASS A
EMI/RFI EMISSIONS FCC 47CFR Part 18 Non-Consumer Limits	
Input Frequency 50-60Hz	Power Factor > 0.98
THD < 10%	Input Voltage 347VAC ±10%
Crest factor < 1.5	Ballast factor 0.98
Operating Frequency 60-70 kHz	cULus Certified
(2) CFQ18W/G24Q	Input Power 38W
	Input Current 0.11A @ 347V

DIMENSIONS



ORDERING INFORMATION

SAMPLE NUMBER: PD6H213E 62HC

Order housing, reflector and lamp separately for a complete luminaire.

<p>Housing PD6H213 = 6 Inch horizontal (2) 13W DTT CFL PD6CPH113 = 6 Inch horizontal (2) 13W DTT CFL, CCEA listed (Chicago Plenum)</p>	<p>Reflector 62H = 6" horizontal 62HEM = 6" Horizontal, Emergency (required with IEM ballast option)</p> <p>Shielding Media [Blank] = none CB = Cross blade louvers (blade finish matches reflector, not available with baffle)</p>	<p>Lens Option 1G=Prismatic Glass 2G=Diffuse Glass 3G=Clear Glass 4G=Fresnel Glass</p>	<p>Finish Option C=Specular Clear G=Specular Gold H=Semi Specular Clear W=White (White Flange) BB=Black Baffle (White Flange) WB=White Baffle (White Flange)</p>	<p>Flange Option Blank=Polished Flange (C, G, H) Blank=White flange (W, BB, WB) WF=White Flange (C, G, H)</p>	<p>Accessories HB128APK = L channel hanger bar, 26", 'No-Fuss', pair (replacement) RMB22 = 22" long wood joist mounting bars</p>
<p>Ballast Option E = 120V – 277V 50/60Hz UNV REM = 120V/277V 60Hz dual-tap emergency battery ballast with remote test switch plate 3E = 347V, 50/60Hz EDMARK7 = 5% 0-10V discrete two-wire (13W) dimming, 120-277V EDMARK7REM = 5% 0-10V discrete two-wire (13W) dimming, 120-277V; with REM emergency option</p> <p>Integral Emergency Ballast Option IEM = 120/277V 60Hz dual-tap, Integral Emergency battery ballast with test switch through reflector* EDMARK7IEM = 5% 0-10V discrete two-wire (13W) dimming, 120-277V; with IEM emergency option* *Requires "EM" reflectors only, ordered separately</p>		<p>Polymer "Dead Front" Trim¹ 1GDF=Prismatic Glass with "Dead Front" Trim 2GDF=Diffuse Glass with "Dead Front" Trim 3GDF=Clear Glass with "Dead Front" Trim 4GDF=Fresnel Glass with "Dead Front" Trim 5GDF=Drop Opal Glass with "Dead Front" Trim</p>	<p>Note: 1 "DF" trim option includes Specular Clear (C) reflector and white polymer flange only. No other finish or flange options apply. 2 "DF" trim option not available with "IEM" emergency.</p>		

SAMPLE NUMBER: PD6H218E 62HC

Order housing, reflector and lamp separately for a complete luminaire.

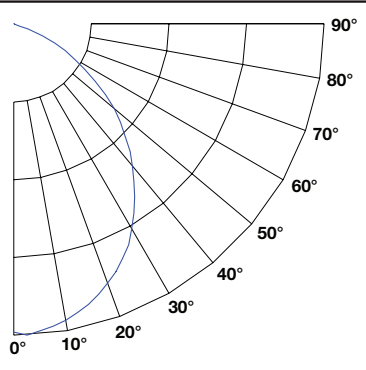
<p>Housing PD6H218 = 6 Inch horizontal (2) 18W DTT CFL PD6CPH218 = 6 Inch horizontal (2) 18W DTT CFL, CCEA listed (Chicago Plenum)</p>	<p>Reflector 62H = 6" horizontal 62HEM = 6" Horizontal, Emergency (required with IEM ballast option)</p> <p>Shielding Media [Blank] = none CB = Cross blade louvers (blade finish matches reflector, not available with baffle)</p>	<p>Lens Option 1G=Prismatic Glass 2G=Diffuse Glass 3G=Clear Glass 4G=Fresnel Glass</p>	<p>Finish Option C=Specular Clear G=Specular Gold H=Semi Specular Clear W=White (White Flange) BB=Black Baffle (White Flange) WB=White Baffle (White Flange)</p>	<p>Flange Option Blank=Polished Flange (C, G, H) Blank=White flange (W, BB, WB) WF=White Flange (C, G, H)</p>	<p>Accessories HB128APK = L channel hanger bar, 26", 'No-Fuss', pair (replacement) RMB22 = 22" long wood joist mounting bars</p>
<p>Ballast Option E = 120V – 277V 50/60Hz UNV REM = 120V/277V 60Hz dual-tap emergency battery ballast with remote test switch plate 3E = 347V, 50/60Hz 1DMARKX = 5% two-wire (18W) dimming, 120V 2DMARKX = 5% two-wire (18W) dimming, 277V EDMARK7 = 5% 0-10V discrete two-wire (18W) dimming, 120-277V 1DMARKXREM = 5% two-wire (18W) dimming, 120V; with REM emergency option 2DMARKXREM = 5% two-wire (18W) dimming, 277V; with REM emergency option EDMARK7REM = 5% 0-10V discrete two-wire (18W) dimming, 120-277V; with REM emergency option</p> <p>Integral Emergency Ballast Option IEM = 120/277V 60Hz dual-tap, Integral Emergency battery ballast with test switch through reflector 1DMARKXIEM = 5% two-wire (18W) dimming, 120V; with IEM emergency option* 2DMARKXIEM = 5% two-wire (18W) dimming, 277V; with IEM emergency option* EDMARK7IEM = 5% 0-10V discrete two-wire (18W) dimming, 120-277V; with IEM emergency option* *Requires "EM" reflectors only, ordered separately*</p>		<p>Polymer "Dead Front" Trim¹ 1GDF=Prismatic Glass with "Dead Front" Trim 2GDF=Diffuse Glass with "Dead Front" Trim 3GDF=Clear Glass with "Dead Front" Trim 4GDF=Fresnel Glass with "Dead Front" Trim 5GDF=Drop Opal Glass with "Dead Front" Trim</p>	<p>Note: 1 "DF" trim option includes Specular Clear (C) reflector and white polymer flange only. No other finish or flange options apply. 2 "DF" trim option not available with "IEM" emergency.</p>		

PHOTOMETRY

PD6H213E-62H1GC_13DTT

Spacing Criteria = 0.96
Lumens per Watt = 32 LpW
Test No. P31439
Test Model: PD6H213E-62H1GC_13DTT

Candlepower Distribution Curve



Candela Distribution	
Degrees Vertical	Candela
0*	472
5	462
15	407
25	327
35	246
45	171
55	109
65	52
75	2
85	0
90	0

*CBCP

Luminance	
(Average Candela/M ²)	
Degree	Avg. 0° Luminance
45	9464
55	6869
65	3943
75	198
85	0

Cone of Light Footcandles			
Distance to Illuminated Plane	Initial Nadir Footcandles	Beam (ft.)	
		L Length	W Width
5.5'	16	5.5	6.3
7'	10	7	8.1
8'	7	8	9.2
9'	6	9	10.4
10'	5	10	11.5
12'	3	12	13.8
14'	2	14	16.2

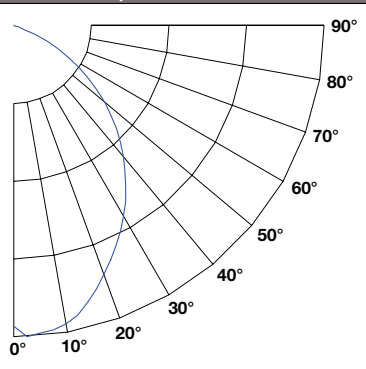
Beam diameter is to 50% of maximum footcandles, rounded to the nearest half-foot. Footcandle values are initial, apply appropriate light loss factors where necessary.

Zonal Lumen Summary			
Zone	Lumens	% Lamp	% Fixture
0-30	332.54	18.50	38.10
0-40	517.72	28.80	59.30
0-60	807.04	44.80	92.40
0-90	873.32	48.50	100.00

PD6H218E-62H1GC_18DTT

Spacing Criteria = 1.12
Lumens per Watt = 31 LpW
Test No. P31440
Test Model: PD6H218E-62H1GC_18DTT

Candlepower Distribution Curve



Candela Distribution	
Degrees Vertical	Candela
0*	612
5	628
15	583
25	494
35	398
45	297
55	184
65	78
75	2
85	0
90	0

*CBCP

Luminance	
(Average Candela/M ²)	
Degree	Avg. 0° Luminance
45	16438
55	11595
65	5914
75	198
85	0

Cone of Light Footcandles			
Distance to Illuminated Plane	Initial Nadir Footcandles	Beam (ft.)	
		L Length	W Width
5.5'	20	5.7	6.4
7'	13	7.3	8.1
8'	10	8.3	9.3
9'	8	9.3	10.4
10'	6	10.4	11.6
12'	4	12.4	13.9
14'	3	14.5	16.2

Beam diameter is to 50% of maximum footcandles, rounded to the nearest half-foot. Footcandle values are initial, apply appropriate light loss factors where necessary.

Zonal Lumen Summary			
Zone	Lumens	% Lamp	% Fixture
0-30	435.24	18.10	37.20
0-40	681.83	28.40	58.40
0-60	1078.46	44.90	92.30
0-90	1168.46	48.70	100.00

Note: Specifications and Dimensions subject to change without notice.

Visit our web site at www.cooperlighting.com