

COOPER LIGHTING - SURE-LITES®

DESCRIPTION

The LPX Series LED Exit with Heads is an economical, yet attractive, alternative to metal exits. Its contemporary round corner styling, designer white finish, and consistent family appearance enables it to blend with any decor. With an under 5-minute installation time, this is the fastest installed exit on the market today. All components resist discoloration due to age and ultraviolet radiation. Reinforcing ribs, internal molded wireways and snap-fit construction are other key features of the LPX Series Exit with Heads. The LPX Series Exit with Heads is available in universal configurations and have universal mounting capability.

SPECIFICATION FEATURES

Electrical

- Field selected red and green sign capability standard on all units (units shipped red, field convert to green with supplied parts).
- Dual Voltage Input 120/277 VAC, 60 Hz, Isolation Transformer
- Line-Latching
- Solid-state Voltage Limited Charger
- Solid-state Switching
- Brownout Circuit
- Low-Voltage Disconnect
- Overload/Short-Circuit Protection
- Test Switch/Power Indicator Light

Battery

- Sealed Lead Calcium
- Maintenance-Free, Long-Life
- Full recharge time, 24 hours (max.)

Housing Construction

- All components are injection molded, color stable, high impact UL 94-5VA rated, polycarbonate material
- Designer white textured finish standard
- Components are of snap-fit construction to facilitate under 5-minute installation
- Reinforcing ribs throughout to provide maximum strength
- Molded-in wireways facilitate internal wire routing and connections
- All components including battery and electronics are located inside the exit housing
- Snap-out or snap-in chevron directional indicators have full 3/4" stroke
- Knockout provided on housing for surface conduit attachment
- Universal exits can be field configured as single or double face
- Snap-fit canopy with captive mounting screws included with all exits
- Exit can be ceiling, wall, or end mounted
- Universal J-box mounting pattern

Code Compliance

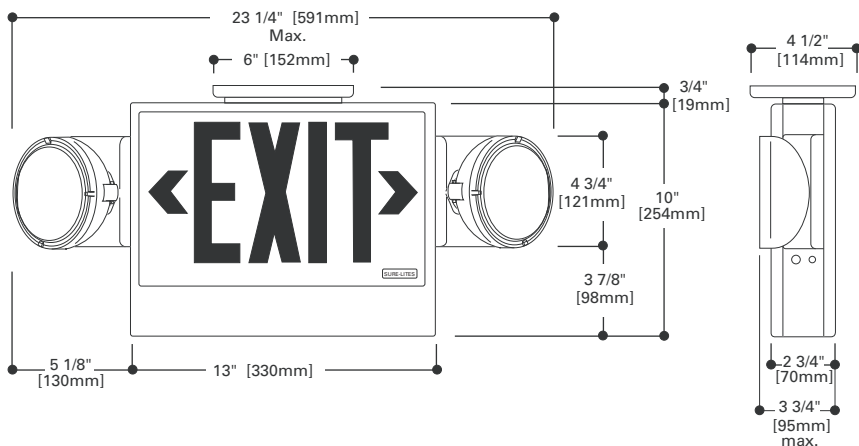
- UL 924 Listed
- Damp Location Listed (0-40°C) - NiCd only
- Life Safety NFPA 101
- NEC/OSHA
- Most State and Local Codes
- Suitable for Floor Proximity Installation

Warranty

- Exit: 1-Year
- Battery: 5-year pro-rata (Lead Calcium); 15-year pro-rata (NiCd)

Lamp Data

- AC LED: Long-Life LED lamps provide uniform diffused illumination
- DC: LED DC lamps
- Heads DC: 6V, 5.4W incandescent wedge base lamps



Catalog #		Type
Project		
Comments		Date
Prepared by		



LPX SERIES COMBO

POLYCARBONATE EXIT

SELF POWERED

LED LAMPS

EXIT LIGHTING

ENERGY DATA

Maximum power consumption under all charge conditions:

Input Power:

Standard, Lead Calcium Battery
120V & 277V =>7.9W

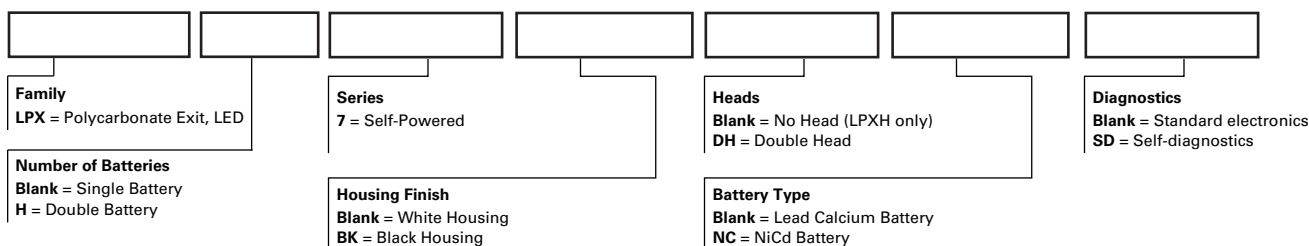
High Power, Lead Calcium Battery
120V & 277V =>7.9W

Standard, Nickel Cadmium Battery
120V & 277V =>6.2W

High Power, Nickel Cadmium Battery
120V & 277V =>7.2W

ORDERING INFORMATION

Sample Number: LPX7DH, LPXH7BKNCSD, LPXH7



TECHNICAL DATA

Lamps

The LPX Series Exits with Heads use energy efficient, longlife red and green LED's to provide uniform diffuse illumination of the exit face. The low operating costs and zero maintenance requirement makes LED lamps the wisest choice for exit signs today. Emergency exit illumination is provided by LED lamps and the heads employ 6V, 5.4W DC incandescent wedge base lamps.

Housing Construction

Rugged, durable, injection molded polycarbonate materials are used throughout the LPX Series Exits with Heads. All structural components are designed with reinforcing ribs to add additional rigidity and to maximize structural integrity. These materials are impact and scratch resistant, and they have been UV stabilized to resist discoloration due to age and ultraviolet radiation. All components are designed to be of snap-fit construction - no mechanical fasteners - to facilitate installation in under 5- minutes. Any components required for installation (wirenuts, wire leads, universal metal J-box bracket, etc.) are all included with each exit. The universal design of the LPX Series Exits with Heads enables universal exits to be configured as single or double face in the field. The LPX Series Exits with Heads can be wall, ceiling, or end mounted; a rugged, snap-fit, low profile canopy with captive screws is included with every exit for ceiling and end mounting applications.

Lens

Lenses for the LPX Series Exits with Heads are made from durable impact resistant polycarbonate. All exit faces are designed with full 3/4" stroke snap-out or snap-in chevron directional indicators to insure maximum visibility and compliance with the latest codes.

Sure-Lites EZ Key External Battery Disconnect (Self Powered Only)

Disconnect (Self Powered Only) Patented technology that allows installers to externally control the battery connection. Better than line latching, allows installers to choose when the battery is connected so that it stays fresh longer. Allows battery to be disconnected after installation but before building is occupied, enabling emergency circuit to be shut down for power savings.

Line-Latched

Sure Lites' line-latched electronic circuitry makes installation easy and economical. A labor efficient AC activated load switch prevents the lamps from turning on during installation to a non-energized AC circuit. Line-latching eliminates the need for a contractor's return to a job site to connect the batteries when the building's main power is turned on.

Solid-State Charger

Supplied with a 120/277 VAC, voltage regulated solid-state charger. Immediately upon restoration of AC current after a power failure, the charger provides a high charge rate. The charge circuit reacts to the condition of the battery and regulates the charging process in order to maintain peak battery capacity and maximize battery life. Solid-state construction recharges the battery following a power failure in accordance with UL 924.

Brownout Circuit

The brownout circuit on Sure- Lites' exits monitors the flow of AC current to the exit and activates the emergency lighting system when a predetermined reduction of AC power occurs. This dip in voltage will cause most ballasted fixtures to extinguish causing loss of normal lighting even though a total power failure has not occurred.

Solid-State Transfer

The LPX Series Exits with Heads incorporates solid-state switching which eliminates corroded and pitted contacts or mechanical failures associated with relays. The switching circuit is designed to detect a loss of AC voltage and automatically energizes the lamps using DC power. Upon restoration of AC power, the DC power will be disconnected and the charger will automatically recharge the battery.

Low-Voltage Disconnect

When the battery's terminal voltage falls, the low-voltage circuitry disconnects the lighting load. The disconnect remains in effect until normal utility power is restored, preventing deep battery discharge.

Test Switch/Power Indicator Light

A test switch located on the side of the exit permits the activation of the emergency circuit for a complete operational systems check. The Power Indicator Light provides visual assurance that the AC power is on.

Overload and Short Circuit Protection

The solid-state overload monitoring device in the DC circuit disconnects the lamp load from the battery should excessive wattage demands be made and automatically resets when the overload or short circuit is removed. This overload current protective feature eliminates the need for fuses or circuit breakers for the DC load.

Eagle Eye Self Diagnostics Option (Self Powered Only)

The self-diagnostic unit will automatically perform all tests required by UL924, and NFPA 101. The system indicates the status of the exit at all times using the LED indicator near the test switch on the side of the unit. A 90 minute battery power (emergency mode) simulation test will occur randomly once every 12 months. A 30 second battery power simulation test will occur every 30 days.

Sealed Lead Calcium Battery

The fully-sealed, long-life, maintenance-free lead calcium battery is ideal for emergency lighting applications. These recombinant cycle batteries typically provide 8 to 10 years of life and may be operated in any position.

Sealed Nickel Cadmium Battery (Self Powered Only)

Sure-Lites sealed nickel cadmium batteries are maintenance-free with a life expectancy of 15 years. The sealed rechargeable nickel cadmium battery offers high discharge rates and stable performance over a wide range of temperatures, from 0-40° C. The specially designed re-sealable vent automatically controls cell pressure, assuring safety and reliability. This battery is best suited for harsh ambient temperatures because the electrolyte is not active in the electrochemical process.

Warranty

All Sure-Lites' products are backed by a firm one-year warranty against defects in material and workmanship. Maintenance-free, long-life, sealed lead calcium batteries carry a five-year pro-rata warranty. Nickel Cadmium batteries carry a 15-year warranty.