

**HALO LED NON-IC NEW CONSTRUCTION HOUSING with 0-10V DC DIMMING CONTROL WIRING for ML7-1200 Series LED**

The H750TD010 is a dedicated LED new construction housing to be used with HALO LED ML712x 1200 Series of LED modules. The H750TD010 is designed for non-insulated ceilings and 0-10V DC dimming with ML7-1200 Series LED modules (2 - low voltage control wires included). If insulation is present it must be kept three inches from all sides and top of the housing. The LED connector system provides high efficacy code compliance designated when used with HALO LED modules and trims.

Catalog #		Type
Project		
Comments		Date
Prepared by		

**SPECIFICATION FEATURES**

**Housing**

Aluminum with white semi-gloss paint finish.

**Plaster Frame**

Galvanized steel frame. Housing adjusts in plaster frame to accommodate up to 1" ceiling thickness. Regressed locking screw for securing hanger bars. Cutouts included for easily crimping hanger bars in position.

**Slide-N-Side™ Junction Box**

- Separate compartment for 0-10V DC low voltage dimming connections.
- Positioned to accommodate straight conduit runs.
- Seven 1/2" trade size conduit knockouts with true pry-out slots.
- Slide-N-Side wire traps allow non metallic sheathed cable to be installed without tools and without removing knockouts.
- Allows wiring connections to be made outside the box.
- Simply insert the cable directly into the trap after connections are made.
- Accommodates the following standard non-metallic sheathed cable type:
  - U.S. #14/2, #14/3, #12/2, #12/3
  - Canada: #14/2, #14/3, #12/2

**GOT-NAIL!™ Pass-N-Thru™ Bar Hangers**

- Bar Hanger features include
- Pre-installed nail easily installs in regular lumber, engineered lumber and laminated beams.
  - Safety and Guidance system prevents snagging, ensures smooth, straight nail penetration and allows bar hangers to be easily removed if necessary
  - Automatic leveling flange aligns the housing and allows holding the housing in place with one hand while driving nails.
  - Housing can be positioned at any point within 24" joist spans
  - Score lines allow tool-free shortening for 12" joists and bar hangers do not need to be removed for shortening.
  - Bar hangers may be repositioned 90° on plaster frame
  - Integral T-bar clip snaps onto T-bars – no additional clips are required.

**LED Module Connections**

Power: Halo LED module simply installs with a plug-in 120V-277V rated line voltage wiring connector (UL and CSA Listed Luminaire Disconnect). This non-screw-base connection preserves the high efficacy rating and prevents use of low efficacy incandescent sources.

Dimming with ML7-1200 Series LED Modules: The housing is pre-wired with two low voltage DC control wires - color coded violet and gray - for connection to 0-10V DC low voltage dimming controls. The Halo ML7-1200 Series LED module's 0-10V DC dimming connector simply plugs into the pre-wired connector provided in the housing.

**Labels**

- UL/cUL 1598 Listed Luminaire
  - UL/cUL Listed for Feed Through
  - UL/cUL Listed for Damp Location
  - UL/cUL Listed for Wet Location with select trims
  - Rated for 25W maximum
- Can be used to meet High Efficacy luminaire requirements (when used with compliant Halo LED modules and designated trims):
- State of California Title 24
  - International Energy Conservation Code (IECC)



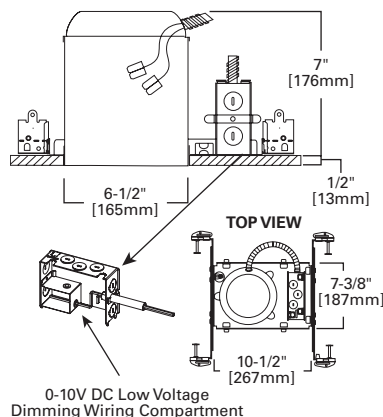
**H750TD010**

**6" New Construction Non-IC Housing with 0-10V DC Dimming Control Wiring For Halo ML7-1200 Series LED Modules ML712x Series and 49x Halo LED Series Trims**

**High Efficacy LED Housing**

**FOR USE IN NON-INSULATED CEILINGS**

**CAN BE USED IN INSULATED CEILINGS BUT INSULATION MUST BE KEPT 3" FROM ALL SIDES OF THE HOUSING**



Qualified and compliant with select trims. Refer to ENERGY STAR® Qualified Products List and CEC (T24) Appliance Database for listings.

## ORDERING INFORMATION - ML712 SERIES

**SAMPLE NUMBER:** H750TD010 - ML712827TUNVD010 - 494WB06  
Order housing, light module, trim and separately.

Housing	LED Module	Color Temperature (Nominal CCT)	Ceiling and Dimming Type
<b>H750TD010</b> = 6" Aperture, New Construction, Non-IC, High Efficacy LED housing	<b>ML7128</b> =6" LED Module, 1200 Series, 80 CRI	<b>27</b> =2700K <b>30</b> =3000K <b>35</b> =3500K <b>40</b> =4000K	<b>TUNVD010</b> =Non-IC Rated, 120V-277V Universal Voltage Driver with 0-10V DC Dimming

Trim Options <sup>1</sup>	Accessories
<p><b>Baffle</b> <b>Open Baffle, OD: 7-1/4" (184mm)</b> 494WB06=White Baffle, White Trim Ring</p> <p><b>Solite® Regressed Glass Lens Baffle, OD: 7-1/4" (184mm)</b> 493BBS06=Black Baffle with Solite® Lens, White Trim Ring, Shower Rated 493WBS06=White Baffle with Solite® Lens, White Trim Ring, Shower Rated</p> <p><b>Lensed</b> <b>Frosted Regressed Glass Lens, OD: 7-1/4" (184mm)</b> 492PS06=White Baffle with Frost Lens and White Trim Ring, Shower Rated</p> <p><b>Reflector</b> <b>Open Reflector, OD: 7-1/4" (184mm)</b> 494H06=Haze Reflector, White Trim Ring 494P06=White Reflector, White Trim Ring 494SC06=Specular Clear Reflector, White Trim Ring</p> <p><b>Solite® Regressed Glass Lens Reflector, OD: 7-1/4" (184mm)</b> 493HS06=Haze Reflector with Solite® Lens, White Trim Ring, Shower Rated 493PS06=White Reflector with Solite® Lens, White Trim Ring, Shower Rated 493SC06=Specular Clear Reflector with Solite® Lens, White Trim Ring, Shower Rated 493SNS06=Satin Nickel Reflector with Solite® Lens, Satin Nickel Trim Ring, Shower Rated 493TBZS06=Tuscan Bronze Reflector with Solite® Lens, Tuscan Bronze Trim Ring, Shower Rated</p> <p><b>Wall Wash</b> 495WW06=Wall Wash with Semi-specular Clear Reflector, Specular Kick Reflector and Lens, White Trim Ring</p>	<p><b>Designer Trim Rings</b> <b>TRM490BK</b>=Thin Profile Black Die-cast Trim Ring <b>TRM490PC</b>=Thin Profile Polished Chrome Die-cast Trim Ring <b>TRM490SN</b>=Thin Profile Satin Nickel Die-cast Trim Ring <b>TRM490TBZ</b>=Thin Profile Tuscan Bronze Die-cast Trim Ring <b>TRM490WH</b>=Thin Profile Matte White Die-cast Trim Ring</p> <p><b>Over-Optic Lenses</b> <b>494OPTIC</b>=6" Over-Optic Diffuse Polymer Lens for Use with Open LED Trims, Shower Rated (494 family)</p> <p><b>Oversize Trim Rings</b> <b>OT400P</b>=Oversize White Metal Trim Ring, 6" I.D. x 9-1/4" O.D. <b>OT403P</b>=Oversize White Plastic Trim Ring, 6" I.D. x 8" O.D. <b>OT490WH</b>=Oversize White Die-cast Trim Ring, 6" I.D. x 9-1/4" O.D. (Attaches to LED module. Substitute for standard trim ring shipped with trims.)</p> <p><b>Retrofit</b> <b>ML7RAB</b>=ML7 Retrofit adapter band kit - 4 pack (4 rings, 16 screws and 8 lever nuts). <b>HE26LED</b>=Replacement screwbase adapter to LED disconnect <b>HE26LED24PK</b>=Replacement screwbase adapter to LED disconnect, 24 pack - bulk</p>

Refer to Halo LED Module specification sheets for additional information.  
Solite® is a registered trademark of AGC Flat Glass North America.

Note: Specifications and Dimensions subject to change without notice.  
Visit our web site at [www.cooperlighting.com](http://www.cooperlighting.com)

Customer First Center 1121 Highway 74 South Peachtree City, GA 30269 770.486.4800 FAX 770 486.4801  
Cooper Lighting 5925 McLaughlin Rd. Mississauga, Ontario, Canada L5R 1B8 905.507.4000 FAX 905.568.7049