

HALO LED NON-IC REMODEL HOUSING WITH 0-10V DC DIMMING CONTROL WIRING for ML7-1200 Series LED

The H750RTD010 is a dedicated LED Remodel housing to be used with Halo LED ML712x 1200 Series of LED modules. The H750RTD010 is designed for remodel applications in non-insulated ceilings and 0-10V DC dimming with ML7-1200 Series LED modules (2 - low voltage control wires included). If insulation is present it must be kept three inches from all sides and top of housing. The LED connector system provides High Efficacy code compliance when used with designated Halo LED modules and designated trims.

Catalog #		Type
Project		
Comments		Date
Prepared by		

SPECIFICATION FEATURES

Housing

Single wall aluminum housing. Can be used in 2"x 8" joist construction (with 1/2" or 5/8" ceiling material).

Slide-N-Side™ Junction Box

- Separate compartment for 0-10V DC low voltage dimming connections.
- Seven 1/2" trade size conduit knockouts with true pry-out slots.
- Slide-N-Side™ wire traps allow non-metallic sheathed cable to be installed without tools and without removing knockouts.
- Accepts a wider range of non-metallic sheathed cable - the standard cable types used in lighting for both US and Canada.
 - Allows wiring connections to be made outside the box.
 - Simply insert the cable directly into the trap after connections are made.
- Accommodates the following standard non-metallic sheathed cable types.
 - (US) #14/2, #14/3, #12/2, #12/3
 - (Canada) #14/2, #14/3, #12/2

Remodel Springs

Four remodel clips secure housing and accommodate 1/2" and 5/8" ceiling material.

LED Module Connections

Power: Halo LED module simply installs with a plug-in 120V-277V rated line voltage wiring connector (UL and CSA Listed Luminaire Disconnect). This non-screw-base connection preserves the high efficacy rating and prevents use of low efficacy incandescent sources.

Dimming with ML7-1200 Series LED Modules:

The housing is pre-wired with two low voltage DC control wires - color coded violet and gray- for connection to 0-10V DC low voltage dimming controls. The Halo ML7-1200 Series LED module's 0-10V DC dimming connector simply plugs into the pre-wired connector provided in the housing.

Labels

- UL/cUL 1598 Listed Luminaire
 - UL/cUL Listed for Damp Location
 - UL/cUL Listed for Wet Location with select trims
 - Rated for 25W maximum
- Can be used to meet High Efficacy luminaire requirements (when used with compliant Halo LED modules and designated trims):
- State of California Title 24
 - International Energy Conservation Code (IECC)



H750RTD010

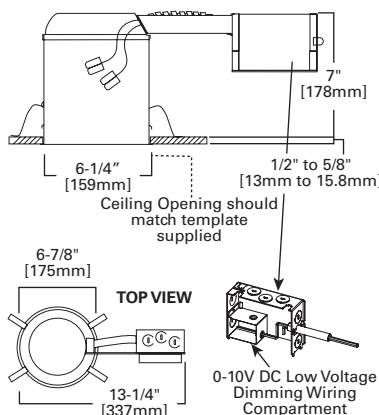
6" Non-IC Remodel Recessed Housing For Halo ML7-1200 Series LED Modules ML712x Series and 49x Halo LED Series Trims

High Efficacy LED Housing

FOR USE IN NON-INSULATED CEILINGS

CAN BE USED IN INSULATED CEILINGS BUT INSULATION MUST BE KEPT 3" FROM ALL SIDES OF THE HOUSING

TO BE INSTALLED FROM BELOW THE CEILING



Qualified and compliant with select trims. Refer to ENERGY STAR® Qualified Products List and CEC (T24) Appliance Database for listings.

ORDERING INFORMATION - ML712 SERIES

SAMPLE NUMBER: H750RTD010 - ML712827TUNVD010 - 494WB06
Order housing, light module, trim and separately.

Housing	LED Module	Color Temperature (Nominal CCT)	Ceiling and Dimming Type
H750RTD010 = 6" Aperture, Remodel, Non-IC, High Efficacy LED housing	ML7128 =6" LED Module, 1200 Series, 80 CRI	27 =2700K 30 =3000K 35 =3500K 40 =4000K	TUNVD010 =Non-IC Rated, 120V-277V Universal Voltage Driver with 0-10V DC Dimming

Trim Options ¹	Accessories
<p>Baffle Open Baffle, OD: 7-1/4" (184mm) 494WB06=White Baffle, White Trim Ring</p> <p>Solite® Regressed Glass Lens Baffle, OD: 7-1/4" (184mm) 493BBS06=Black Baffle with Solite® Lens, White Trim Ring, Shower Rated 493WBS06=White Baffle with Solite® Lens, White Trim Ring, Shower Rated</p> <p>Lensed Frosted Regressed Glass Lens, OD: 7-1/4" (184mm) 492PS06=White Baffle with Frost Lens and White Trim Ring, Shower Rated</p> <p>Reflector Open Reflector, OD: 7-1/4" (184mm) 494H06=Haze Reflector, White Trim Ring 494P06=White Reflector, White Trim Ring 494SC06=Specular Clear Reflector, White Trim Ring</p> <p>Solite® Regressed Glass Lens Reflector, OD: 7-1/4" (184mm) 493HS06=Haze Reflector with Solite® Lens, White Trim Ring, Shower Rated 493PS06=White Reflector with Solite® Lens, White Trim Ring, Shower Rated 493SC06=Specular Clear Reflector with Solite® Lens, White Trim Ring, Shower Rated 493SNS06=Satin Nickel Reflector with Solite® Lens, Satin Nickel Trim Ring, Shower Rated 493TBZS06=Tuscan Bronze Reflector with Solite® Lens, Tuscan Bronze Trim Ring, Shower Rated</p> <p>Wall Wash 495WW06=Wall Wash with Semi-specular Clear Reflector, Specular Kick Reflector and Lens, White Trim Ring</p>	<p>Designer Trim Rings TRM490BK=Thin Profile Black Die-cast Trim Ring TRM490PC=Thin Profile Polished Chrome Die-cast Trim Ring TRM490SN=Thin Profile Satin Nickel Die-cast Trim Ring TRM490TBZ=Thin Profile Tuscan Bronze Die-cast Trim Ring TRM490WH=Thin Profile Matte White Die-cast Trim Ring</p> <p>Over-Optic Lenses 494OPTIC=6" Over-Optic Diffuse Polymer Lens for Use with Open LED Trims, Shower Rated (494 family)</p> <p>Oversize Trim Rings OT400P=Oversize White Metal Trim Ring, 6" I.D. x 9-1/4" O.D. OT403P=Oversize White Plastic Trim Ring, 6" I.D. x 8" O.D. OT490WH=Oversize White Die-cast Trim Ring, 6" I.D. x 9-1/4" O.D. (Attaches to LED module. Substitute for standard trim ring shipped with trims.)</p> <p>Retrofit ML7RAB=ML7 Retrofit adapter band kit - 4 pack (4 rings, 16 screws and 8 lever nuts). HE26LED=Replacement screwbase adapter to LED disconnect HE26LED24PK=Replacement screwbase adapter to LED disconnect, 24 pack - bulk</p>

Refer to Halo LED Module specification sheets for additional information.
Solite® is a registered trademark of AGC Flat Glass North America.

Note: Specifications and Dimensions subject to change without notice.
Visit our web site at www.cooperlighting.com

Customer First Center 1121 Highway 74 South Peachtree City, GA 30269 770.486.4800 FAX 770 486.4801
Cooper Lighting 5925 McLaughlin Rd. Mississauga, Ontario, Canada L5R 1B8 905.507.4000 FAX 905.568.7049