

DESCRIPTION

The EI2072RAT is designed for remodel applications in insulated ceilings and can be in direct contact with ceiling insulation. This AIR-TITE™ housing prevents air flow between attic and living areas. The 26W electronic compact fluorescent ballast meets FCC Title 47 CFR part 18 for consumer equipment. The EI2072RAT offers trim types including reflector and lensed trims.

Catalog #		Type
Project		
Comments		Date
Prepared by		

DESIGN FEATURES

Housing

Single wall aluminum housing. Openings are gasketed for AIR-TITE installation. Housing height allows use in 2" x 8" joist construction.

Junction Box

- UL listed for thorough branch wiring.
- Positioned to accommodate straight conduit runs.
- Seven conduit knockouts are uniform 1/2" size with true pryout slots.
- Four pryouts with integral strain relief simplify non-metallic sheathed cable installation.

Remodel Springs

- Four remodel clips secure housing and accommodate 1/2" and 5/8" ceiling material.

Socket

G24q-3/GX248-3 socket for one 26W DTT*- Double Twin Tube (Quad) or 26W TTT -Triple twin Tube 4-pin lamp

Lamp

- Compact Fluorescent Lamp (by others)
26 watt lamp generic designations:
DTT-Double Twin Tube (Quad)(CFQ)
- CFQ26W/G24q
2700K, 3000K, 3500K, 4100K
 - TTT-Triple Twin tube (CFTR)
 - CFTR26W/GX24q
2700K, 3000K, 3500K, 4100K
 - Up to 12,000 hr rated average life
 - 82CRI rated lamps provide excellent color and high visual comfort.
 - Color temperature (warm to cool) options offer 2700K warm, 3000K, 3500K medium warm and 4100K cool incandescent-like light.

Electronic Ballast

Models are provided with Title 24 compliant electronic fluorescent ballast. The ballast is rated for use with 26W Double Twin Tube or Triple Twin Tube lamps (Triple Twin Tube is preferred for best visual comfort). Ballast is a high frequency electronic type that

operates lamps above 40 kHz. In addition the ballast is thermally protected and end of life feature shuts down the ballast upon lamp failure with auto restart to eliminate need to reset power after lamp replacement. Meets FCC EMI/RFI Consumer Level Limits.

Labels

- UL/cUL Listed for Damp Location
- UL/cUL Listed for Feed Through
- UL/cUL Listed for Direct Contact with Insulation and combustible material

Compliance

- Meets following restricted air flow and IC requirements:
- Washington State Energy Code
 - State of California Title 24 High Efficacy Luminaire
 - International Energy Conservation Code
 - New York State Energy Conservation Construction Code
 - Certified AIR-TITE under ASTM-E283



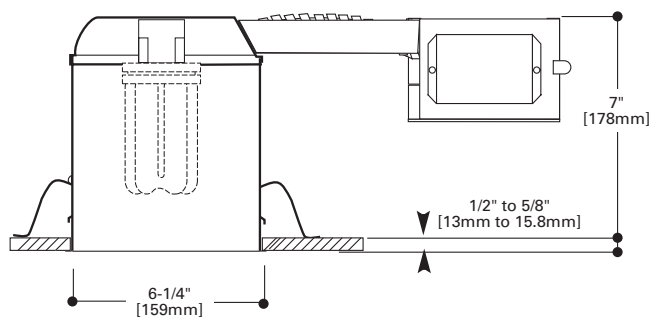
EI2072RAT

**6" Insulated Ceiling
Compact Fluorescent
AIRTITE Remodel
Recessed Housing
26 Watt Compact
Fluorescent**

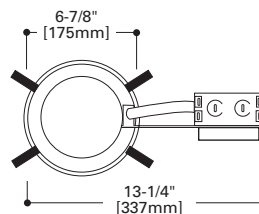
6" TRIMS

**FOR USE IN
INSULATED CEILINGS
FOR DIRECT CONTACT
WITH INSULATION**

DIMENSIONS



Top View



Energy Data

Rated Lamp Watts: 26W
(CFQ26WG238
Voltage: 120V-60Hz
Input current: 0.40 Amps
Input (Full) Power (ANSI watts): 24
EMI: FCC Title 47 CFR Part 18
(Class B)
Consumer compliant for EMI
(conducted and radiated)
Sound rating: A
Power Factor: 0.54
Ballast factor: .90
Max. THD: 150%
Min. Starting Temperature:
0°F/18°C
Crest Factor: <1.7



TRIMS

ORDERING INFORMATION

SAMPLE NUMBER: E12072RAT - ERT770TS

Orderhousing, trim and accessories separately.

Housing



E12072RAT= Insulated Ceiling 26W Compact Fluorescent
AIR-TITE Remodel Housing

Trims



ERT770

**Specular and Matte (Haze) Reflectors,
Gloss White Trim Ring, Torsion Springs
26W DTT, 26W TTT Compact Fluorescent**
ERT770TS=Clear Specular Reflector
ERT770MTS=Matte (Haze) Reflector
OD: 7-1/4" (184mm)



ERT771

**Gloss White Reflector with Torsion
Springs
26W DTT, 26W TTT Compact Fluorescent**
ERT771TS=Gloss White Reflector
OD: 7-1/4" (184mm)



ERT772

**Metal Baffle with Torsion Springs
26W DTT, 26W TTT Compact Fluorescent**
ET772TS=Black Baffle, Gloss White Upper
Reflector, Gloss White Trim Ring
ET772WHTTS=Gloss White Baffle, Gloss
White Upper Reflector, Gloss White Trim
Ring
OD: 7-1/4" (184mm)



ERT724

**Drop Opal Lens
26W DTT, 26W TTT Compact Fluorescent**
ERT724=Wet location listed Shower Light
with Drop Opal Lens and White Trim Ring
OD: 8" (203mm)



Accessories

**Gasket Kit**

GA-ATH7-6PK= AIR-TITE Finished Ceiling
Gasket Kit, 6 pieces
(Seals ceiling cut-out irregularities)

Oversize Trim Rings

For use when ceiling opening is cut too large.
Fits behind trim flange.

OT400P= 9-1/4" OD White Metal

OT403P= 8" OD White plastic