

DESCRIPTION

Wall Washer lamp holders designed for use with Quartz lamps (L1752 and L1753). L1752 and L1753 provide uniform illumination with sharp cutoff at top and bottom. For use with Halo and Lazer-by-Halo track systems.

Catalog #	Type
Project	
Comments	
Prepared by	Date

SPECIFICATION FEATURES

A...Electrical Quick Lock Adapter

Polycarbonate casing. Attaches electrically and mechanically anywhere along Power-Trac. Visual polarity line assures proper grounding. Two position conductor allows use in single circuit and either circuit of two circuit track.

B...Yoke

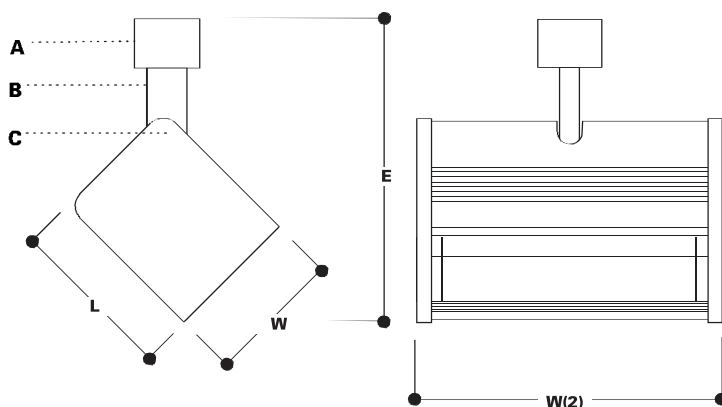
Yoke allows lampholder to rotate 338° and adjust vertically from 0° to 90°.

C...Body

L1751 features rounded corners for a streamlined look. L1752 and L1753 include spring loaded end caps for easy relamping.

Listings

UL listed and CSA certified for use with Halo and Lazer-by-Halo track and track systems.



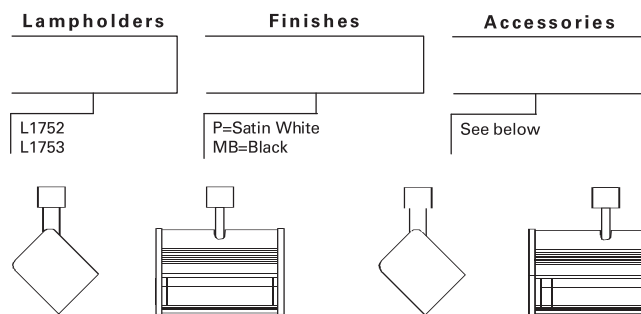
L1752



L1753

ORDERING INFORMATION

SAMPLE NUMBER: L1752P



L1752

For use with:
150W Tungsten Halogen Frosted
Mini-Candelabra

L =3 5/8" [92MM]
W =3" [76MM]
W(2)=6 1/8" (156MM)
E =6 1/2" [165MM]

Accessories

L977 Barn Doors

L1753

For use with:
Q250W T4 Tungsten Halogen Frosted Mini-
Candelabra

L =3 5/8" [92mm]
W =3" [76mm]
W(2)=8" (203mm)
E =6 1/2" [165mm]

Accessories

L978 Barn Doors

WALL WASH LAMP HOLDERS

Power-Trac®

ACCESSORIES

L977 Barn Door Shutters

For use with L1752 Quartz lamp
wall wash lampholder.

L978 Barn Door Shutters

For use with L17543 Quartz
lamp wall wash lampholder.

Color Code: MB



**L977, L978
Barn Door Shutters**

Note: Specifications and Dimensions subject to change without notice.

Visit our web site at www.cooperlighting.com