

DESCRIPTION

Solid-state adapter allows all Linea Lampholders (except) LV301 and LV302 wedge-base lampholders) to be used with Halo and Lazer by Halo line voltage track systems. This device contains electronics that step down the 120V line voltage to 12 volts.

Catalog #	Type
Project	
Comments	
Prepared by	Date

SPECIFICATION FEATURES

A--Electrical Quick Lock

Adapter/Housing

Polycarbonate casing. Attaches electrically and mechanically anywhere along the track. Visual polarity line assures proper orientation. Two position conductor allows use in single circuit and either circuit of two circuit track

B--Solid-State Electronics

Next generation electronics converts 120 volt line to 12 volts to drive lamp. This device will withstand overloads up to 75 watts continuously and permanent short circuits. The overload and short circuit protection automatically resets after overload or short is removed without cycling input power. Fully dimmable from 1% to 100% with three-wire dimming suitable for dimming solid state power supplies.

C--Locking Latch

Ribbed locking latch engages track to firmly secure adapter in place.

D--Linea Lampholder Interface

Interface will only accept Linea lampholder adapters. Other lampholders cannot be inserted in L2004.

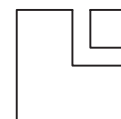
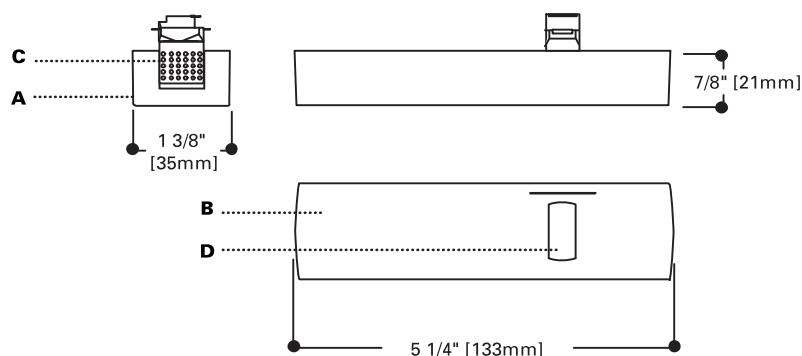
E--Agency Approvals

UL, CSA, Non-consumer limits FCC Part 18



L2004

Solid-State Adapter



ORDERING INFORMATION

SAMPLE NUMBER: L2004P

Power Supply

L2004=Solid State Adapter (120V in/12V out)

Finish

P=White
MB=Black

Electrical Data:

THD:	≤ 5%
Power Factor:	>.996
Input Wattage:	51.53
Input Current:	0.4327

ADV020820

9/04

TAB: Linea lampholders and Track
Sheet 9

Note: Specifications and Dimensions subject to change without notice.

Visit our web site at www.cooperlighting.com