

# PERFORMANCE FLEXIBILITY

Built strong for tough, low mount environments



## ACCESSORIES [ORDER SEPARATELY]



**TOP VISOR [SF/V-XX]**  
Easy to install top visor accessory provides additional cutoff and glare control.



**VANDAL SHIELD [SF/VS]**  
Easy to install polycarbonate vandal shield lens provides durable protection against projected objects.



**WIRE GUARD [SF/WG]**  
Easy to install wire guard features a heavy-gauge welded construction with corrosion resistant polyester powder coat finish. Protects glass from projected objects.



**TAMPER-RESISTANT SCREW [SF/TR]**  
Easy to install stainless steel tamper resistant screw secures toolless latch and discourages entry into the unit from vandals.

## FLOODLIGHTING

# SF FALCON

LOW WATTAGE FLOODLIGHT



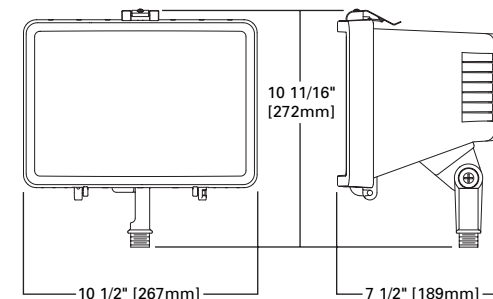
LUMARK®



### APPLICATION

The Falcon floodlight can be wall, pole, or ground mounted making it ideal for all commercial, industrial, and residential low wattage floodlighting applications.

35-175W MH/HPS  
26-70W PL



### DOOR + LATCH

Tempered glass lens is impact and thermal shock resistant. Easily released die-cast aluminum doorframe with stainless steel toolless latch allows easy access for re-lamping. Enclosure latch can be secured with a single point stainless steel screw, provided, or with optional vandal resistant head.

### HOUSING

Die-cast aluminum housing is finished in weather and abrasion resistant dark bronze polyester powder paint. Optional colors are available.

### GASKET

Full-circumference silicone gasket seals out external contaminants.

### SOCKET

Pulse rated, 4KV, medium-base porcelain lamp socket standard for HID. Electronic compact 4-pin fluorescent sockets standard for PL lamp options.

### REFLECTOR

Formed aluminum hammered reflector optimizes beam efficiency and control.

### MOUNTING

Adjustable ANSI 1G rated stem mounting arm fits 1/2" NPS outlet box cover. (RBC round outlet box cover not included, order separately). Optional heavy-gauge steel adjustable trunnion mounting provides additional durability when required.

### ORDERING INFORMATION

**SAMPLE NUMBER:** MHSF-T-100-240V-FF-TR-PE-GN-LL

#### LAMP TYPE

MH=Metal Halide  
HP=High Pressure Sodium  
PL=Compact Fluorescent

#### FIXTURE TYPE

SF=Falcon

#### MOUNTING

K=Knuckle  
T=Trunnion

#### LAMP WATTAGE

HID<sup>1</sup>  
35=35W<sup>2,3</sup>  
50=50W  
70=70W  
100=100W  
150=150W<sup>2</sup>  
175=175W<sup>4</sup>  
Compact Fluorescent  
26/32/42=26, 32, or 42W  
26=26W  
32=32W  
42=42W  
52=(2) 26W  
57=57W  
60=60W  
64=(2) 32W  
70=70W

#### POWER FACTOR

—=Normal  
H=High Power Factor

#### VOLTAGE<sup>5</sup>

120V  
208V<sup>6</sup>  
240V<sup>6</sup>  
277V  
347V  
480V  
DT=Dual-Tap (120/277V)  
MT=Multi-Tap (120/ 208/240/277V)  
TT=Triple-Tap (120/277/347V)<sup>7</sup>  
E=Electronic Ballast (50/60Hz)<sup>8</sup>

#### OPTIONS + ACCESSORIES<sup>9</sup>

(See Below)

### OPTIONS + ACCESSORIES

#### OPTIONS (add as suffix)<sup>9</sup>

F=Single Fuse (120, 277 or 347V. Specify Voltage)<sup>10</sup>  
FF=Double Fuse(208, 240 or 480V. Specify Voltage)<sup>10</sup>  
TR=Tamper-Resistant Entry Hardware  
PE=Factory-Installed Internal Photocontrol (Specify Voltage)  
BZ=Bronze  
WH=White  
BK=Black  
GN=Green  
AP=Grey  
LL=Lamp Included (Must Specify Wattage with Fluorescent)

#### ACCESSORIES (order separately)

PE/MT=Field-Installed Photocontrol  
TRSD-6/32=Tamper-Resistant Screwdriver  
SF/TR=Tamper-Resistant Screw  
NKS-XX-2/3" O.D. Slipfitter for Knuckle Mount (Must Specify Color)  
SF/V-XX=Top Visor (Specify Color. BZ Standard)  
SF/VS=Vandal Shield  
SF/WG=Wire Guard

#### RBC-XX=Round Outlet Box Cover (Specify Color)

FA5-XX-2" Slipfitter for Trunnion Fixture (Specify Color. BZ Standard)

RAB-XX=Right Angle Pipe Bracket for Slipfitters (Specify Color. BZ Standard)

SAB-XX=Steel Angle Bracket for Trunnion (Specify Color. BZ Standard)

SPK=Landscape Post (Standard Color Dary Grey)

**STOCK SAMPLE NUMBER (Lamp Included):** MHSF10K-MT

#### LAMP TYPE

HP=High Pressure Sodium  
MH=Metal Halide

#### SERIES

SF=Falcon

#### LAMP WATTAGE<sup>11</sup>

35=35W<sup>2,3</sup>  
50=50W  
70=70W  
10=100W  
15=150W<sup>2</sup>  
17=175W<sup>4</sup>

#### MOUNTING

K=Knuckle  
T=Trunnion

#### WIRING OPTIONS

—=Standard  
MT=Multi-Tap  
TT=Triple-Tap<sup>7</sup>

### SHIPPING DATA

Approximate Net Weight:  
17 lbs. (8 kgs.)

**NOTES** [stock]: Options not available with stock products. Order Accessories as separate items for field installation. Refer to standard ordering information to add options and accessories.

**NOTES:** 1 Medium-base only. 2 HPS only. 3 120V only. 4 MH with HPF CWA ballast only. 5 Products also available in non-US voltages and 50Hz for international markets. Consult factory for availability and ordering information. 6 Not available in Canada. 7 Canada only. 8 Compact fluorescent only. 9 Must be specified in order as shown and separated by a dash. 10 100W MH maximum. 11 Consult Lumark Stock Guide for available wattages.

COOPER Lighting

Visit our web site at [www.cooperlighting.com](http://www.cooperlighting.com)  
Customer First Center 1121 Highway 74 South Peachtree City, GA 30269 770.486.4800 FAX 770.486.4801 ADH042543

LUMARK®



## FALCON FLOODLIGHT

Low Wattage Floodlight



COOPER Lighting



# FALCON FLOODLIGHT

## Low Wattage Floodlight

### HIGH OUTPUT + SMALL PACKAGE

Powerful illumination in a small package defines the Falcon floodlight series. Ideal for illuminating signs, walkways or highlighting architecture, the Falcon bridges high efficiencies and rugged construction making it ideal for any general purpose floodlighting application.

### OPTICAL FLEXIBILITY

Offered in HID and Compact Fluorescent lamp sources, the Falcon is available in wattages up to 175W MH, 150W HPS H.I.D. and 26-42W, twin 26-32W Compact Fluorescent and now 60W PLH Compact Fluorescent. Leveraging the instant restrike advantages of fluorescent with the high output, cold weather capabilities of HID sources, PLH lamp technology offers -20°C cold weather starting and a 20,000 hour lamp life.

### BUILT TOUGH

Built strong for tough, low mount environments, the Falcon knuckle and fixture assembly is vibration rated to 1G in three (3) unique planes and is offered with optional vandal shields and wire guards for additional protection against man made and environmental hazards. For additional strength in mounting, a rugged trunnion mounting option is available.



[Trunnion-Mount]



[Knuckle-Mount]



**LAMP TECHNOLOGY**  
PLH lamp technology offers -20°F cold weather starting and a 20,000 hour lamp life.

## Specification Features

### DOOR + LATCH

Tempered glass lens is impact and thermal shock resistant. Easily released die-cast aluminum doorframe with stainless steel toolless latch allows easy access for re-lamping. Enclosure latch can be secured with a single point stainless steel screw, provided, or with optional vandal resistant head.

### HOUSING

Die-cast aluminum housing is finished in weather and abrasion resistant dark bronze polyester powder paint. Optional colors are available.

### GASKET

Full-circumference silicone gasket seals out external contaminants.

### SOCKET

Pulse rated, 4KV, medium-base porcelain lamp socket standard for HID. Electronic compact 4-pin fluorescent sockets standard for PL lamp options.

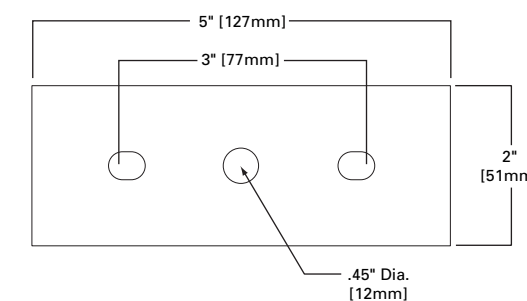
### REFLECTOR

Formed aluminum hammered reflector optimizes beam efficiency and control.

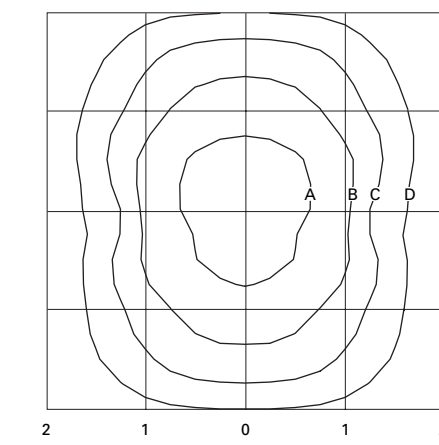
### MOUNTING

Adjustable ANSI 1G rated stem mounting arm fits 1/2" NPS outlet box cover. (RBC round outlet box cover not included, order separately). Optional heavy-gauge steel adjustable trunnion mounting provides additional durability when required.

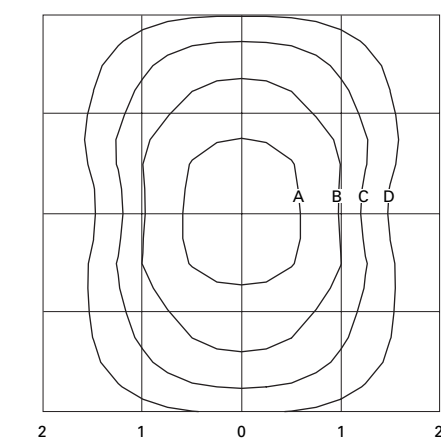
### TRUNNION-MOUNT DRILLING DIMENSIONS



### PHOTOMETRICS



**MHSF17K**  
175-Watt MH  
14,000-Lumen Clear Lamp



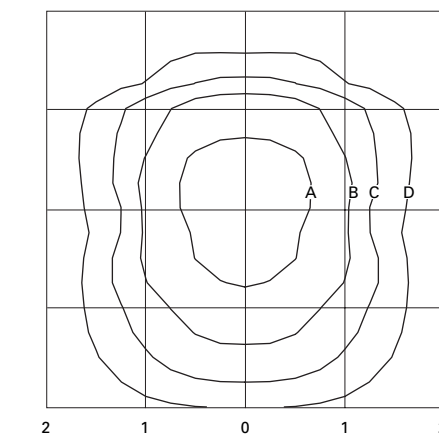
**HPSF15K**  
150-Watt HPS  
16,000-Lumen Clear Lamp

### FOOTCANDLE TABLE [MH+HPS]

Select mounting height and read across for footcandle values of each isofootcandle line. Distance in units of mounting height.

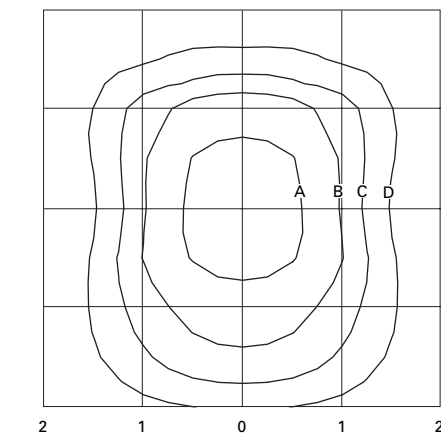
Mounting Height	Footcandle Values for Isofootcandle Lines			
	A	B	C	D
10'	20.00	8.00	4.00	2.00
15'	9.00	3.60	1.80	0.90
20'	5.00	2.00	1.00	0.50

VERTICAL AIMING=0°



**MHSF17K-V**  
175-Watt MH  
14,000-Lumen Clear Lamp

With Optional Top Visor "SF/V-XX" Installed.



**HPSF15K-V**  
150-Watt HPS  
16,000-Lumen Clear Lamp

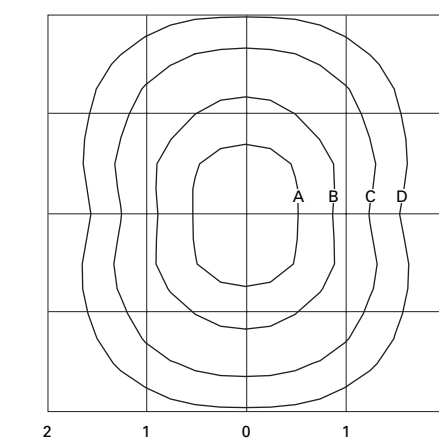
With Optional Top Visor "SF/V-XX" Installed.

### FOOTCANDLE TABLE [MH+HPS]

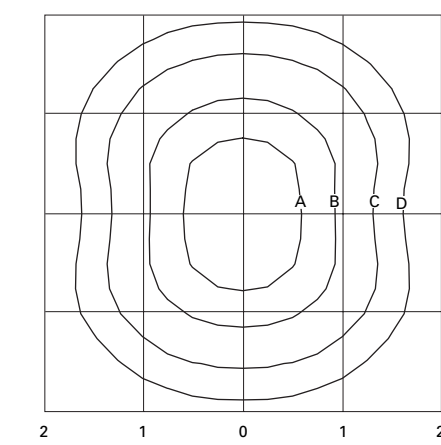
Select mounting height and read across for footcandle values of each isofootcandle line. Distance in units of mounting height.

Mounting Height	Footcandle Values for Isofootcandle Lines			
	A	B	C	D
10'	20.00	8.00	4.00	2.00
15'	9.00	3.60	1.80	0.90
20'	5.00	2.00	1.00	0.50

VERTICAL AIMING=0°



**PLSF42K**  
42-Watt PLH (42W Triple Tube)  
3,200-Lumen Clear Lamp



**PLSF60K**  
60-Watt PLH (60W Triple Tube)  
4,000-Lumen Clear Lamp

### FOOTCANDLE TABLE [PL]

Select mounting height and read across for footcandle values of each isofootcandle line. Distance in units of mounting height.

Mounting Height	Footcandle Values for Isofootcandle Lines			
	A	B	C	D
10'	4.00	2.00	0.80	0.40
15'	1.80	0.90	0.36	0.18
20'	1.00	0.50	0.20	0.10

VERTICAL AIMING=0°