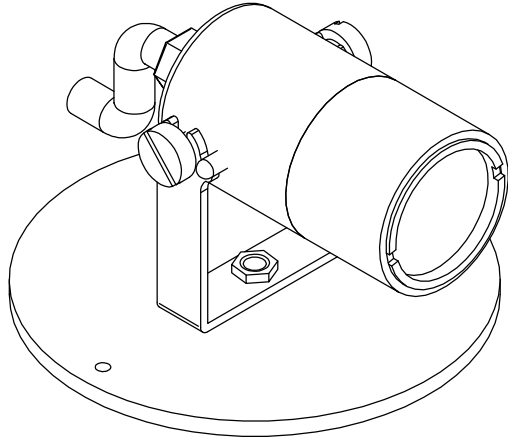




Lumière  
 Cooperlightng-Denver  
 4675 Holly Street  
 Denver, CO 80216  
 TEL: 303-393-1522  
 FAX: 303-393-1477



TYPE:



**DESCRIPTION:**

An ultra-compact, adjustable, low voltage, wet location accent fixture. Fixture can operate partially to fully submerged or out of water. Fixture has rotational stops providing 180 deg of rotation. Contemporary professional design. Fixture is precision machined from corrosion resistant solid bronze. Tempered glass lens. Stainless steel hardware. Sealed with high temperature silicone o-ring. Fixture hood designed to be used with multiple filters and accessories, including louvers, color filters and spread lenses. It's easy release system enables convenient relamping out of the water. Machined solid brass liquid tight cord fitting. Factory supplied with 15' SJO power cord. Custom cord lengths are also available.

**APPLICATIONS:**

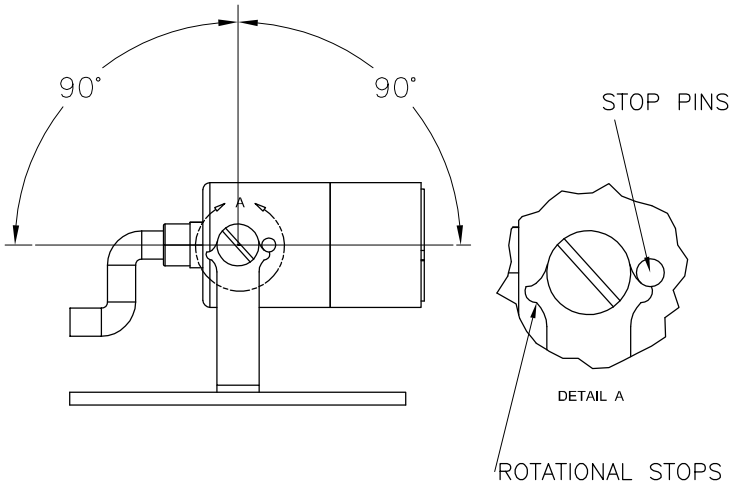
Up accent lighting of fountain sprays and other objects in or around fountains, ponds, decorative pools or water gardens. Spot lighting of waterfalls, pond sculptures. This fixture can be used in wet or dry locations. The fixture may be fully or partially submerged or used out of water.

**ELECTRICAL:**

WHEN SUBMERGED IN WATER, OR OUT OF WATER  
 12 Volts, 37 Watt maximum, MR16 bi-pin halogen lamp (not included). Ceramic lamp socket with 250°C Teflon coated lead wires. Remote transformer required (not included).

**FINISH:**

Hood, body, base plate, yoke and knobs are precision machined from solid bronze.



-NOTICE-  
 THIS SUBMITTAL MUST BE  
 SIGNED AND RETURNED TO Lumière  
 PRIOR TO RELEASING FOR MANUFACTURING.

Lumière reserves the right to make design changes without notice. All dimensions shown on this specification sheet are for reference only, and are not identical to manufacturing specifications.

PROJECT NAME \_\_\_\_\_

1407D-37MR16-12-NBZ

APPROVAL SIGNATURE \_\_\_\_\_ DATE \_\_\_\_\_

PRODUCT SPECIFICATION  
 XX = COLOR

DRAWN BY: Z.A.I. 03-22-06  
 DWG NO: C325317 REV A