



1SFC132062M0201 RevC Juli 11

PSE18...370

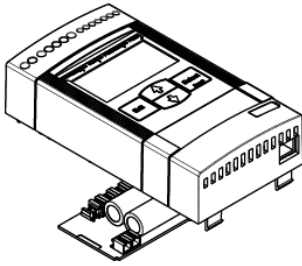


Contents

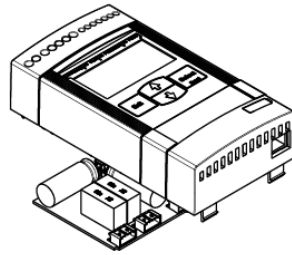
1. HMI-module	2
2. Cooling fan.....	2
3. Thyristors.....	3
4. Kit for changing thyristors.....	3
5. Bypass relay and contactor.....	4

Catalogue numbers to be used when ordering spare parts

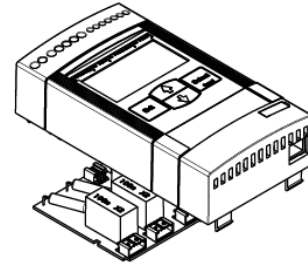
1. HMI-module



Picture 1



Picture 2



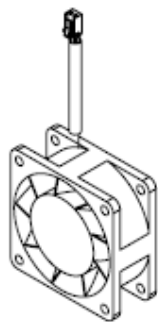
Picture 3

Softstarter Type	Pieces per softstarter unit	Order code / Factory code	Type	Pieces per package	Picture
PSE18...105	1	1SFA899219R7001	PSEHMI-1	1	1
PSE142...170	1	1SFA899219R7002	PSEHMI-2	1	2
PSE210...370	1	1SFA899219R7003	PSEHMI-3	1	3

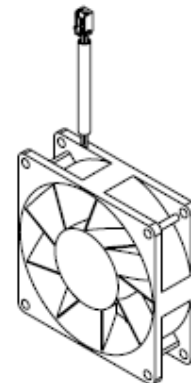
2. Cooling fan



Picture 1



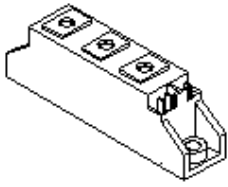
Picture 2



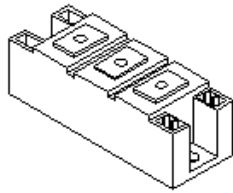
Picture 3

Softstarter Type	Pieces per softstarter unit	Order code / Factory code	Type	Pieces per package	Picture
PSE18...105	2	1SFA899215R1040	PSFA-40	1	1
PSE142...170	2	1SFA899215R1060	PSFA-60	1	1
PSE210...370	2	1SFA899215R1080	PSFA-80	1	1

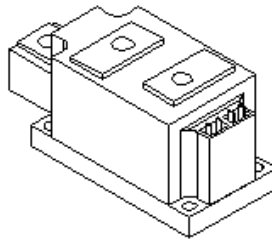
3. Thyristors



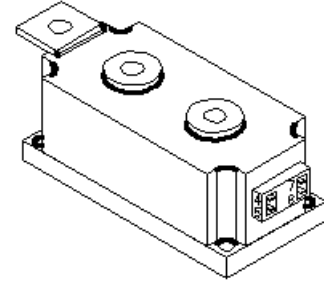
Picture 1



Picture 2



Picture 3



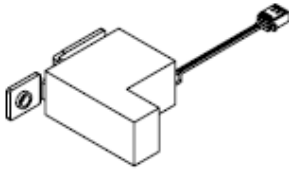
Picture 4

Softstarter Type	Pieces per softstarter unit	Order code / Factory code	Type	Pieces per package	Picture
PSE18	2	1SFA899210R1026	PSTHM-26/16	1	1
PSE25	2	1SFA899210R1026	PSTHM-26/16	1	1
PSE30	2	1SFA899210R1044	PSTHM-44/16	1	1
PSE37	2	1SFA899210R1044	PSTHM-44/16	1	1
PSE45	2	1SFA899210R1056	PSTHM-56/16	1	1
PSE60	2	1SFA899210R1095	PSTHM-95/16	1	1
PSE72	2	1SFA899210R1095	PSTHM-95/16	1	1
PSE85	2	1SFA899210R1132	PSTHM-132/16	1	2
PSE105	2	1SFA899210R1162	PSTHM-162/16	1	2
PSE142	2	1SFA899210R1162	PSTHM-162/16	1	2
PSE170	2	1SFA899210R1200	PSTHM-200/16	1	2
PSE210	2	1SFA899210R1312	PSTHM-312/16	1	3
PSE250	2	1SFA899210R1501	PSTHM-501/16	1	4
PSE300	2	1SFA899210R1501	PSTHM-501/16	1	4
PSE370	2	1SFA899210R1501	PSTHM-501/16	1	4

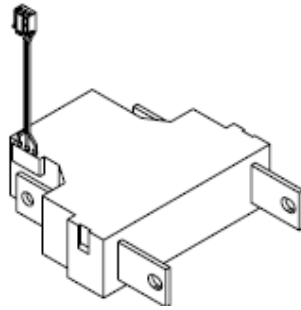
4. Kit for changing thyristors

Softstarter Type	Order code / Factory code	Type	Remark.
PSE18...370	1SFA899012R1001	PSPB-1	Sufficient for replacing 10 thyristor blocks

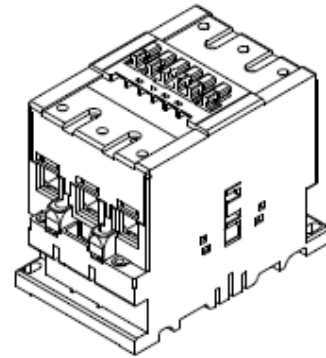
5. Bypass relay and contactor



Picture 1



Picture 2



Picture 3

Softstarter Type	Pieces per softstarter unit	Order code / Factory code	Type	Pieces per package	Picture
PSE18...105	2	1SFA899201R1120	PSBP-120	2	1
PSE142...170	1	1SFA899201R1200	PSBP-200	1	2
PSE210...370	2	1SFL457001R7000	AF110-30-00	1	3



ABB AB, CEWE-Control
 S-721 61 Västerås, SWEDEN
 Telephone +46 21 32 07 00
 TELEFAX +46 21 12 60 01