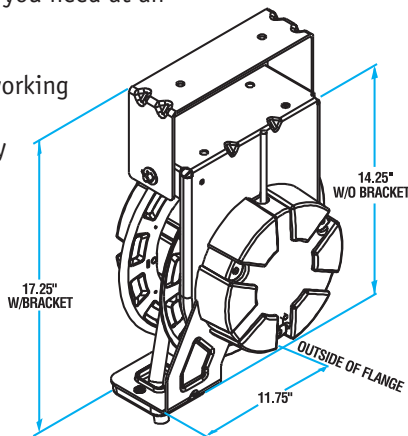


**RI 50** CORD REEL

Industrial strength reel has all the convenience, endurance and reliability feature you need at an easy-to-buy price.

- Fewer moving parts for long working life
- Removable hub covers for easy maintenance
- Easy tension adjustment
- Ratchet lock with engage and disengage capability
- Corrosion resistant steel housing
- Rigid or swinging mounts available
- UL listed
- Indoor use only



Accessories	50 ft. of Cable 3c/#16 AWG 8a / 120v	45 ft. of Cable 3c/#14 AWG 11a / 120v	35 ft. of Cable 3c/#12 AWG 15a / 120v	50 ft. of Cable 4c/#16 AWG 5.5a / 120v	30 ft. of Cable 4c/#14 AWG 7.5a / 120v
No Accessories	RI51	RI53	RI55	RI52	RI54
Type M Lamp	RI51-M	RI53-M			
Type FE Lamp	RI51-FE	RI53-FE			
Type 13G Lamp	RI51-13G	RI53-13G			
5 -15R Receptacle	RI51-R	RI53-R	RI55-R		
Triplex Outlet Strip	RI51-T				
Quad Tap Box (4) 5-15R	RI51-Q	RI53-Q	RI55-Q		
GFCI Dual Outlet Box (2) 5-15R	RI51-D	RI53-D	RI55-D		

RI50 reels come standard with rigid mount and no hand lamps. To select swinging mount add suffix "S" to part number. To add hand lamp option add the suffix for the type of hand lamp required. Add the suffix "AS" for the auto switch option. Example: RI51S-FE-AS. To add a pivot base option order item# PB10YE. All 3 conductor reels come without plug.

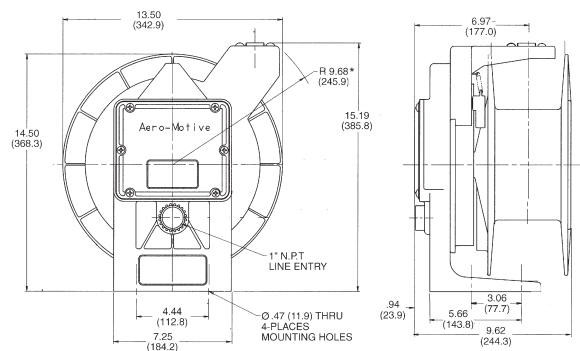
**228B** CORD REEL

- 50 feet travel
- Adjustable tension
- 3 conductor, 16 AWG SO
- Rigid Mount
- UL listed and CSA certified
- For Hand Lamp, add suffix FE, M, or G (see page 7)

Accessories	50 ft. of Cable 3c/#16 AWG	45 ft. of Cable 3c/#14 AWG
Type M Lamp	228B-M	
Type FE Lamp	228B-FE	
Type 13S Lamp	228B-13S	
Type 13G Lamp	228B-13G	
5 -15R Receptacle	228B-R	358C-R
Quad Tap Box (4) 5-15R	228B-Q	358C-Q
GFCI Dual Outlet Box (2) 5-15R	228B-D	358C-D



All 228B and 358C reels come standard with rigid mount. Swinging mount option is not available. Auto switch option is not available. To add a pivot base option order item# PB2A. 228BH, 228BM, and 228B13S reels include 3 ft. of lead-in cable with plug and a cable stop.



\* GUIDE POSITION ADJUSTABLE THRU 270° ARC