

4P & 5P



Field-Attachable Connectors

Single Keyway M12

Screw terminal connection accepts up to #18 AWG conductors
 Easy field installation of quick-disconnect design
 For use with all standard single keyway M12 receptacles and cordsets

	4P	5P
FEMALE FACE VIEW		
MALE FACE VIEW		
VOLTAGE	250V AC / 300V DC	30V AC / 36V DC
CURRENT	4A	4A

FEMALE	FIG	CATALOG NUMBER WITH PG 7 CABLE FITTING (.13 - .26" OD [3.3 - 6.6MM] CABLE)	
STRAIGHT	1	8A4000-31	8A5000-31
90°	2	8A4001-31	8A5001-31
FEMALE	FIG	CATALOG NUMBER WITH PG 9 CABLE FITTING (.16 - .32" OD [4.1 - 8.1MM] CABLE)	
STRAIGHT	1	8A4000-32	8A5000-32
MATING RECEPTACLE*	3	8R4006A18A120	8R5006A18A120
MALE	FIG	CATALOG NUMBER WITH PG 7 CABLE FITTING (.13 - .26" OD [3.3 - 6.6MM] CABLE)	
STRAIGHT	4	8A4006-31	8A5006-31
90°	5	8A4007-31	8A5007-31
MALE	FIG	CATALOG NUMBER WITH PG 9 CABLE FITTING (.16 - .32" OD [4.1 - 8.1MM] CABLE)	
STRAIGHT	4	8A4006-32	8A5006-32
MATING RECEPTACLE*	6	8R4A00A18A120	8R5A00A18A120

*See Page 116 for additional Mating Receptacles

Specifications



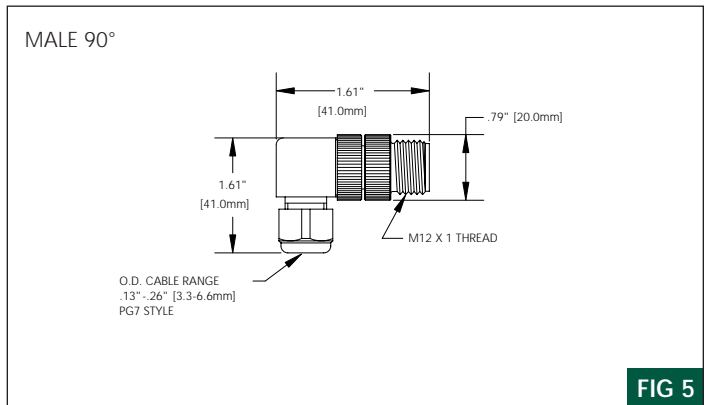
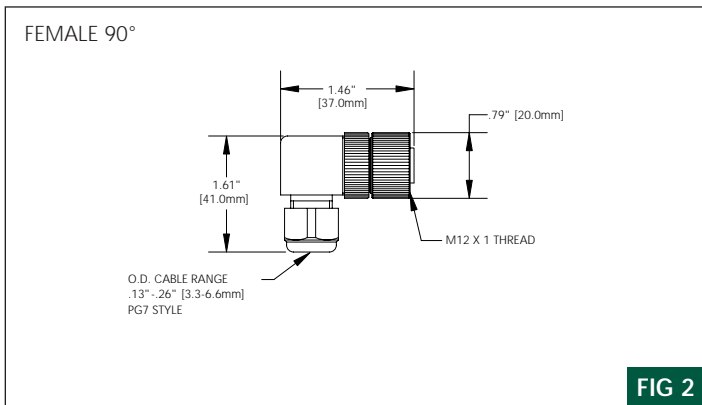
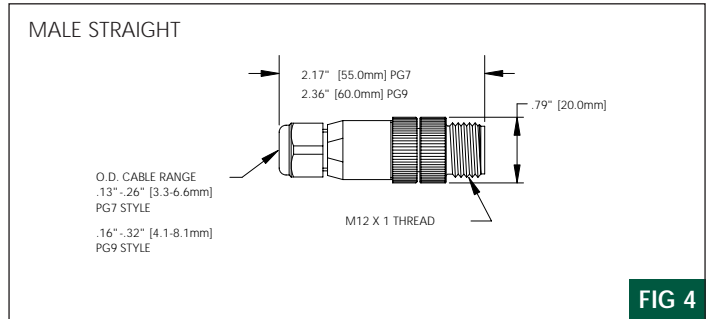
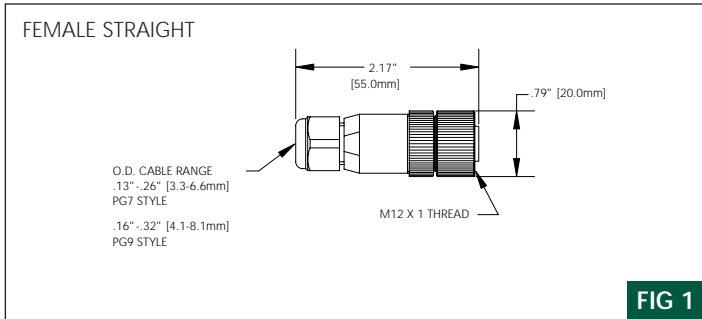
MECHANICAL
 CONNECTOR FACE: POLYAMIDE
 MOLDED BODY: POLYAMIDE
 CONTACT: SILVER PLATED BRASS
 COUPLING NUT: NICKEL PLATED BRASS
 GROMMET: NITRILE RUBBER
 MAXIMUM CONDUCTOR SIZE: 18 AWG

ELECTRICAL
 VOLTAGE RATING: 4P - 250V AC 300V DC
 5P - 30V AC 36V DC
 AMPERAGE: 4P - 4A
 5P - 4A

ENVIRONMENTAL
 PROTECTION: IP 68
 AMBIENT OPERATING TEMP: -13° TO 194° F (-25° TO 90° C)

CERTIFICATIONS
 CSA: CSA CERTIFIED, FILE NO LR6837

CONNECTOR DIMENSIONS



RECEPTACLE DIMENSIONS

