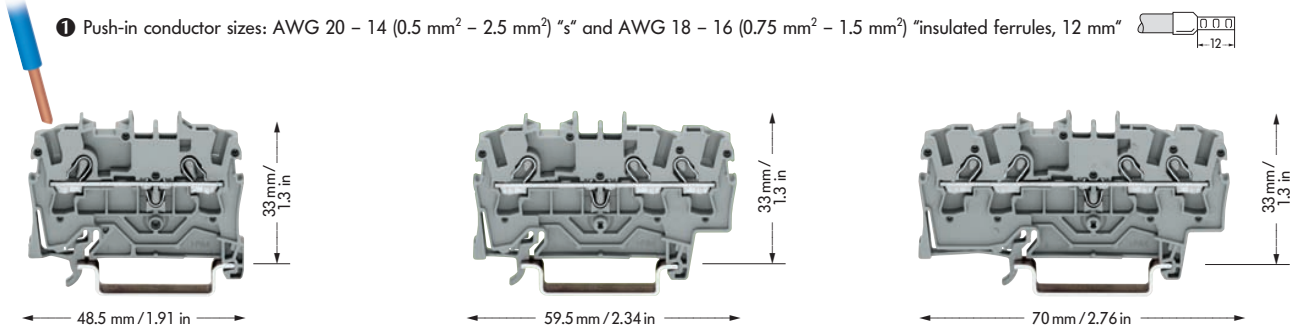


# TOPJOB® Rail-Mounted Terminal Blocks 1.5 (2.5) mm<sup>2</sup>/AWG 14 Series 2001

<p>0.25 – 1.5 (2.5) mm<sup>2</sup> ①   AWG 22 – 14 800 V/8 kV/3   600 V, 15 A Ⅴ 18 A   600 V, 15 A Ⅴ</p> <p>Terminal block width 4.2 mm / 0.165 in 9 – 11 mm / 0.39 in</p> <p>* Ⅴ Ⅴ</p>	<p>0.25 – 1.5 (2.5) mm<sup>2</sup> ①   AWG 22 – 14 800 V/8 kV/3   600 V, 15 A Ⅴ 18 A   600 V, 15 A Ⅴ</p> <p>Terminal block width 4.2 mm / 0.165 in 9 – 11 mm / 0.39 in</p> <p>* Ⅴ Ⅴ</p>	<p>0.25 – 1.5 (2.5) mm<sup>2</sup> ①   AWG 22 – 14 800 V/8 kV/3   600 V, 15 A Ⅴ 18 A   600 V, 15 A Ⅴ</p> <p>Terminal block width 4.2 mm / 0.165 in 9 – 11 mm / 0.39 in</p> <p>* Ⅴ Ⅴ</p>
---	---	---

① Push-in conductor sizes: AWG 20 – 14 (0.5 mm<sup>2</sup> – 2.5 mm<sup>2</sup>) "s" and AWG 18 – 16 (0.75 mm<sup>2</sup> – 1.5 mm<sup>2</sup>) "insulated ferrules, 12 mm" 



Item No.	Pack.-unit pcs	Item No.	Pack.-unit pcs	Item No.	Pack.-unit pcs
<b>2-conductor through terminal blocks</b>		<b>3-conductor through terminal blocks</b>		<b>4-conductor through terminal blocks</b>	
grey <b>2001-1201</b> ①	100	grey <b>2001-1301</b> ①	100	grey <b>2001-1401</b> ①	100
blue <b>2001-1204</b> ②	100	blue <b>2001-1304</b> ②	100	blue <b>2001-1404</b> ②	100
orange <b>2001-1202</b> ③	100	orange <b>2001-1302</b> ③	100	orange <b>2001-1402</b> ③	100
more colors are being prepared		more colors are being prepared		more colors are being prepared	
<b>2-conductor ground (earth) terminal block</b>		<b>3-conductor ground (earth) terminal block</b>		<b>4-conductor ground (earth) terminal block</b>	
green-yellow <b>2001-1207</b> ④	100	green-yellow <b>2001-1307</b> ④	100	green-yellow <b>2001-1407</b> ④	100
Ex e II applications are being prepared		Ex e II applications are being prepared		Ex e II applications are being prepared	
② Suitable for Ex i applications		② Suitable for Ex i applications		② Suitable for Ex i applications	

## Accessories

appropriate marker system **WMB/Marker strips** (see section 14)

<p><b>End and intermediate plate</b>, 0.8 mm/0.031 in thick</p> <p>orange <b>2002-1292</b> 100 (4 x 25)</p> <p>grey <b>2002-1291</b> 100 (4 x 25)</p>	<p><b>End and intermediate plate</b>, 0.8 mm/0.031 in thick</p> <p>orange <b>2002-1392</b> 100 (4 x 25)</p> <p>grey <b>2002-1391</b> 100 (4 x 25)</p>	<p><b>End and intermediate plate</b>, 0.8 mm/0.031 in thick</p> <p>orange <b>2002-1492</b> 100 (4 x 25)</p> <p>grey <b>2002-1491</b> 100 (4 x 25)</p>
<p><b>Insulation stop</b>, 5 pcs/strip</p> <p>200 strips</p> <p>dark grey <b>2001-172</b> 0.75-1 mm<sup>2</sup></p>	<p><b>Insulation stop</b>, 5 pcs/strip</p> <p>200 strips</p> <p>dark grey <b>2001-172</b> 0.75-1 mm<sup>2</sup></p>	<p><b>Insulation stop</b>, 5 pcs/strip</p> <p>200 strips</p> <p>dark grey <b>2001-172</b> 0.75-1 mm<sup>2</sup></p>
<p><b>Push-in type jumper bars</b>, light grey, insulated, I<sub>N</sub> 18 A</p> <p>2-way <b>2001-402</b> 200 (8 x 25)</p> <p>3-way <b>2001-403</b> 200 (8 x 25)</p> <p>4-way <b>2001-404</b> 200 (8 x 25)</p> <p>5-way <b>2001-405</b> 100 (4 x 25)</p> <p>10-way <b>2001-410</b> 100 (4 x 25)</p>	<p><b>Push-in type jumper bars</b>, light grey, insulated, I<sub>N</sub> 18 A</p> <p>2-way <b>2001-402</b> 200 (8 x 25)</p> <p>3-way <b>2001-403</b> 200 (8 x 25)</p> <p>4-way <b>2001-404</b> 200 (8 x 25)</p> <p>5-way <b>2001-405</b> 100 (4 x 25)</p> <p>10-way <b>2001-410</b> 100 (4 x 25)</p>	<p><b>Push-in type jumper bars</b>, light grey, insulated, I<sub>N</sub> 18 A</p> <p>2-way <b>2001-402</b> 200 (8 x 25)</p> <p>3-way <b>2001-403</b> 200 (8 x 25)</p> <p>4-way <b>2001-404</b> 200 (8 x 25)</p> <p>5-way <b>2001-405</b> 100 (4 x 25)</p> <p>10-way <b>2001-410</b> 100 (4 x 25)</p>
<p><b>Push-in type jumper bars</b>, light grey, insulated, I<sub>N</sub> 18 A</p> <p>1 - 3 <b>2001-433</b> 200 (8 x 25)</p> <p>1 - 4 <b>2001-434</b> 200 (8 x 25)</p> <p>1 - 5 <b>2001-435</b> 100 (4 x 25)</p> <p>1 - 10 <b>2001-440</b> 100 (4 x 25)</p>	<p><b>Push-in type jumper bars</b>, light grey, insulated, I<sub>N</sub> 18 A</p> <p>1 - 3 <b>2001-433</b> 200 (8 x 25)</p> <p>1 - 4 <b>2001-434</b> 200 (8 x 25)</p> <p>1 - 5 <b>2001-435</b> 100 (4 x 25)</p> <p>1 - 10 <b>2001-440</b> 100 (4 x 25)</p>	<p><b>Push-in type jumper bars</b>, light grey, insulated, I<sub>N</sub> 18 A</p> <p>1 - 3 <b>2001-433</b> 200 (8 x 25)</p> <p>1 - 4 <b>2001-434</b> 200 (8 x 25)</p> <p>1 - 5 <b>2001-435</b> 100 (4 x 25)</p> <p>1 - 10 <b>2001-440</b> 100 (4 x 25)</p>
<p><b>Modular TOPJOB®S connector</b>, for jumper contact slot</p> <p>1 pole <b>2001-501</b> 100 (4 x 25)</p>	<p><b>Modular TOPJOB®S connector</b>, for jumper contact slot</p> <p>1 pole <b>2001-501</b> 100 (4 x 25)</p>	<p><b>Modular TOPJOB®S connector</b>, for jumper contact slot</p> <p>1 pole <b>2001-501</b> 100 (4 x 25)</p>
<p><b>Spacer</b>, modular</p> <p>see also page 1.12</p> <p><b>2001-549</b> 100 (4 x 25)</p>	<p><b>Spacer</b>, modular</p> <p>see also page 1.12</p> <p><b>2001-549</b> 100 (4 x 25)</p>	<p><b>Spacer</b>, modular</p> <p>see also page 1.12</p> <p><b>2001-549</b> 100 (4 x 25)</p>
<p><b>Test plug adapter</b>, for test plug 4 mm/0.157 in Ø</p> <p><b>2009-174</b> 100 (4 x 25)</p> <p><b>Testing tap</b>, for max. 2.5 mm<sup>2</sup></p> <p><b>2009-182</b> 100 (4 x 25)</p>	<p><b>Test plug adapter</b>, for test plug 4 mm/0.157 in Ø</p> <p><b>2009-174</b> 100 (4 x 25)</p> <p><b>Testing tap</b>, for max. 2.5 mm<sup>2</sup></p> <p><b>2009-182</b> 100 (4 x 25)</p>	<p><b>Test plug adapter</b>, for test plug 4 mm/0.157 in Ø</p> <p><b>2009-174</b> 100 (4 x 25)</p> <p><b>Testing tap</b>, for max. 2.5 mm<sup>2</sup></p> <p><b>2009-182</b> 100 (4 x 25)</p>
<p><b>Marker strip</b>, white, plain</p> <p>for center marking</p> <p>11 mm/0.433 in wide</p> <p>50 m <b>2009-110</b></p> <p>300 m <b>2009-130</b></p>	<p><b>Marker strip</b>, white, plain</p> <p>for center marking</p> <p>11 mm/0.433 in wide</p> <p>50 m <b>2009-110</b></p> <p>300 m <b>2009-130</b></p>	<p><b>Marker strip</b>, white, plain</p> <p>for center marking</p> <p>11 mm/0.433 in wide</p> <p>50 m <b>2009-110</b></p> <p>300 m <b>2009-130</b></p>

\* For further approvals with corresponding ratings see section 15.