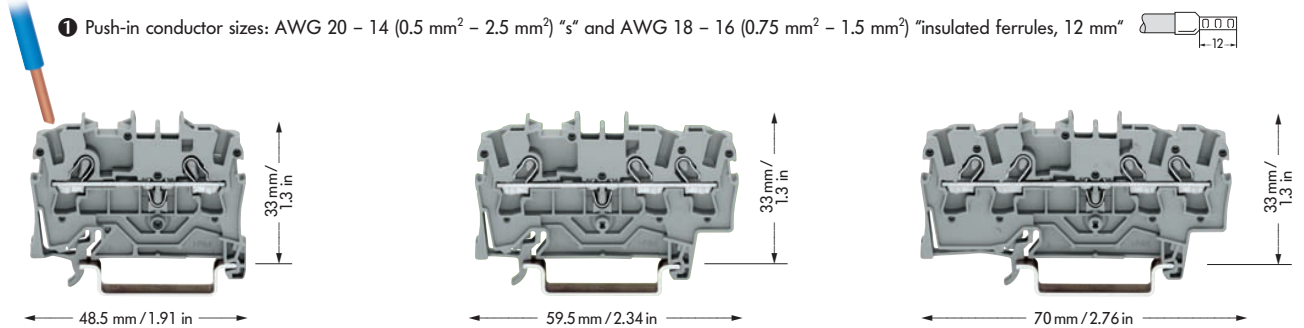


# TOPJOB® Rail-Mounted Terminal Blocks 1.5 (2.5) mm<sup>2</sup>/AWG 14 Series 2001

<b>0.25 – 1.5 (2.5) mm<sup>2</sup> ①</b>   <b>AWG 22 – 14</b> 800 V/8 kV/3   600 V, 15 A 18 A   600 V, 15 A	<b>0.25 – 1.5 (2.5) mm<sup>2</sup> ①</b>   <b>AWG 22 – 14</b> 800 V/8 kV/3   600 V, 15 A 18 A   600 V, 15 A	<b>0.25 – 1.5 (2.5) mm<sup>2</sup> ①</b>   <b>AWG 22 – 14</b> 800 V/8 kV/3   600 V, 15 A 18 A   600 V, 15 A
Terminal block width 4.2 mm / 0.165 in 9 – 11 mm / 0.39 in	Terminal block width 4.2 mm / 0.165 in 9 – 11 mm / 0.39 in	Terminal block width 4.2 mm / 0.165 in 9 – 11 mm / 0.39 in
*	*	*

① Push-in conductor sizes: AWG 20 – 14 (0.5 mm<sup>2</sup> – 2.5 mm<sup>2</sup>) "s" and AWG 18 – 16 (0.75 mm<sup>2</sup> – 1.5 mm<sup>2</sup>) "insulated ferrules, 12 mm"



Item No.	Pack.-unit pcs	Item No.	Pack.-unit pcs	Item No.	Pack.-unit pcs
<b>2-conductor through terminal blocks</b>		<b>3-conductor through terminal blocks</b>		<b>4-conductor through terminal blocks</b>	
grey <b>2001-1201</b>	100	grey <b>2001-1301</b>	100	grey <b>2001-1401</b>	100
blue <b>2001-1204</b>	100	blue <b>2001-1304</b>	100	blue <b>2001-1404</b>	100
orange <b>2001-1202</b>	100	orange <b>2001-1302</b>	100	orange <b>2001-1402</b>	100
more colors are being prepared		more colors are being prepared		more colors are being prepared	
<b>2-conductor ground (earth) terminal block</b>		<b>3-conductor ground (earth) terminal block</b>		<b>4-conductor ground (earth) terminal block</b>	
green-yellow <b>2001-1207</b>	100	green-yellow <b>2001-1307</b>	100	green-yellow <b>2001-1407</b>	100
Ex e II applications are being prepared		Ex e II applications are being prepared		Ex e II applications are being prepared	
Suitable for Ex i applications		Suitable for Ex i applications		Suitable for Ex i applications	

## Accessories

appropriate marker system **WMB/Marker strips** (see section 14)

<b>End and intermediate plate</b> , 0.8 mm/0.031 in thick orange <b>2002-1292</b> 100 (4 x 25) grey <b>2002-1291</b> 100 (4 x 25)	<b>End and intermediate plate</b> , 0.8 mm/0.031 in thick orange <b>2002-1392</b> 100 (4 x 25) grey <b>2002-1391</b> 100 (4 x 25)	<b>End and intermediate plate</b> , 0.8 mm/0.031 in thick orange <b>2002-1492</b> 100 (4 x 25) grey <b>2002-1491</b> 100 (4 x 25)
<b>Insulation stop</b> , 5 pcs/strip 200 strips dark grey <b>2001-172</b> 0.75-1 mm <sup>2</sup>	<b>Insulation stop</b> , 5 pcs/strip 200 strips dark grey <b>2001-172</b> 0.75-1 mm <sup>2</sup>	<b>Insulation stop</b> , 5 pcs/strip 200 strips dark grey <b>2001-172</b> 0.75-1 mm <sup>2</sup>
<b>Push-in type jumper bars</b> , light grey, insulated, I <sub>N</sub> 18 A 2-way <b>2001-402</b> 200 (8 x 25) 3-way <b>2001-403</b> 200 (8 x 25) 4-way <b>2001-404</b> 200 (8 x 25) 5-way <b>2001-405</b> 100 (4 x 25) : : 10-way <b>2001-410</b> 100 (4 x 25)	<b>Push-in type jumper bars</b> , light grey, insulated, I <sub>N</sub> 18 A 2-way <b>2001-402</b> 200 (8 x 25) 3-way <b>2001-403</b> 200 (8 x 25) 4-way <b>2001-404</b> 200 (8 x 25) 5-way <b>2001-405</b> 100 (4 x 25) : : 10-way <b>2001-410</b> 100 (4 x 25)	<b>Push-in type jumper bars</b> , light grey, insulated, I <sub>N</sub> 18 A 2-way <b>2001-402</b> 200 (8 x 25) 3-way <b>2001-403</b> 200 (8 x 25) 4-way <b>2001-404</b> 200 (8 x 25) 5-way <b>2001-405</b> 100 (4 x 25) : : 10-way <b>2001-410</b> 100 (4 x 25)
<b>Push-in type jumper bars</b> , light grey, insulated, I <sub>N</sub> 18 A 1 - 3 <b>2001-433</b> 200 (8 x 25) 1 - 4 <b>2001-434</b> 200 (8 x 25) 1 - 5 <b>2001-435</b> 100 (4 x 25) : : 1 - 10 <b>2001-440</b> 100 (4 x 25)	<b>Push-in type jumper bars</b> , light grey, insulated, I <sub>N</sub> 18 A 1 - 3 <b>2001-433</b> 200 (8 x 25) 1 - 4 <b>2001-434</b> 200 (8 x 25) 1 - 5 <b>2001-435</b> 100 (4 x 25) : : 1 - 10 <b>2001-440</b> 100 (4 x 25)	<b>Push-in type jumper bars</b> , light grey, insulated, I <sub>N</sub> 18 A 1 - 3 <b>2001-433</b> 200 (8 x 25) 1 - 4 <b>2001-434</b> 200 (8 x 25) 1 - 5 <b>2001-435</b> 100 (4 x 25) : : 1 - 10 <b>2001-440</b> 100 (4 x 25)
<b>Modular TOPJOB®S connector</b> , for jumper contact slot 1 pole <b>2001-501</b> 100 (4 x 25)	<b>Modular TOPJOB®S connector</b> , for jumper contact slot 1 pole <b>2001-501</b> 100 (4 x 25)	<b>Modular TOPJOB®S connector</b> , for jumper contact slot 1 pole <b>2001-501</b> 100 (4 x 25)
<b>Spacer</b> , modular <b>2001-549</b> 100 (4 x 25) see also page 1.12	<b>Spacer</b> , modular <b>2001-549</b> 100 (4 x 25) see also page 1.12	<b>Spacer</b> , modular <b>2001-549</b> 100 (4 x 25) see also page 1.12
<b>Test plug adapter</b> , for test plug 4 mm/0.157 in Ø <b>2009-174</b> 100 (4 x 25) <b>Testing tap</b> , for max. 2.5 mm <sup>2</sup> <b>2009-182</b> 100 (4 x 25)	<b>Test plug adapter</b> , for test plug 4 mm/0.157 in Ø <b>2009-174</b> 100 (4 x 25) <b>Testing tap</b> , for max. 2.5 mm <sup>2</sup> <b>2009-182</b> 100 (4 x 25)	<b>Test plug adapter</b> , for test plug 4 mm/0.157 in Ø <b>2009-174</b> 100 (4 x 25) <b>Testing tap</b> , for max. 2.5 mm <sup>2</sup> <b>2009-182</b> 100 (4 x 25)
<b>Marker strip</b> , white, plain for center marking 11 mm/0.433 in wide 50 m <b>2009-110</b> 1 300 m <b>2009-130</b> 1	<b>Marker strip</b> , white, plain for center marking 11 mm/0.433 in wide 50 m <b>2009-110</b> 1 300 m <b>2009-130</b> 1	<b>Marker strip</b> , white, plain for center marking 11 mm/0.433 in wide 50 m <b>2009-110</b> 1 300 m <b>2009-130</b> 1

\* For further approvals with corresponding ratings see section 15.