

www.GESecurity.com

Fixed Mini-Dome

Overview

The discreet 4-inch Fixed Mini-Dome camera is for indoor applications and easily mounts to a wall or ceiling. Various mounting options are available, including a plastic wall-mount bracket (included) and wall, pendant, and extendable pendant mount brackets (sold separately).

Outstanding Features

The Mini-Dome's shroud conceals its easy-to-position camera, which can be rotated 360 degrees and tilted 90 degrees into the most desirable viewing angle.

Choose from an Ultra Line high resolution black-and-white camera that delivers 580 TV lines and is sensitive to 0.1 lux, or a color camera that delivers 480 TV lines and is sensitive to 1.0 lux. In the Premier Line, select a black-and-white camera with 425 TV lines that is sensitive to 0.1 lux or a color camera with 380 TV lines and that is sensitive to 1.0 lux.

Various lens options are available, including an 8 or 12 mm lens, or a 2.5, 4 and 6 mm lens pack. The Mini-Dome accepts 12 VDC input voltage.



Standard Features

- **Discreet dome housing**
- **Mounts to a wall or ceiling**
- **Wall-mount bracket included**
- **Optional mounting brackets for wall, pendant, or extendable pendant**
- **Dome shroud conceals camera position**
- **Camera can be rotated 360 degrees and tilted 90 degrees for best position**
- **High and standard resolution black-and-white and color cameras**
- **12 VDC input voltage**



Fixed Mini-Dome

Specifications

Ultra Line Camera Specifications

- Signal system: NTSC/EIA standard or PAL/CCIR option
- Image sensor: 1/3 in. interline transfer super HAD CCD
- Picture elements: 811 H x 508 V
- Scanning system: 525 lines, 60 fields (NTSC/EIA); optional 625 lines, 50 fields (PAL/CCIR)-2:1 interlace
- Signal-to-noise ratio: > 50 dB (AGC off)
- AGC: Max 30 dB
- Backlight compensation: Automatic histogram on (under AES), center window weighted
- Synchronization: Internal/line lock AC
- Gamma compensation: 0.45
- Video output: 1.0 V p-p 75 ohm unbalanced
- Electronic shutter: AES 1/50 (1/60 sec) to 1/100,000 sec
- Power supply: 12 VDC
- Operating temperature: 14 to 122°F (-10 to 50°C)

B/W Ultra Line Camera

- Resolution: 580 TVL
- Sensitivity: 0.1 lux @ f1.2 (minimum illumination); 0.01 lux (faceplate)
- Power consumption (per camera): 125 mA; 1.5 W @ 12 VDC

Color Ultra Line Camera

- Resolution: 480 TVL
- Sensitivity: 1.0 lux @ f1.2 (minimum illumination); 0.1 lux (faceplate)
- White balance: Auto white balance 2500 to 9500 K
- Power consumption (per camera): 160 mA; 1.9 W @ 12 VDC

Premier Line Camera Specifications

- Signal system: NTSC/EIA standard or PAL/CCIR option
- Image sensor: 1/3 in. interline transfer CCD
- Picture elements: 512 H x 492 V
- Scanning system: interlace
- Signal-to-noise ratio: 48 dB (AGC off)
- AGC: Max 30 dB
- Backlight compensation: On (under AES), center weighted
- Synchronization: Internal
- Gamma compensation: 0.45
- Video output: 1.0 V p-p 75 ohm unbalanced
- Electronic shutter: AES 1/60 to 1/100,000 sec
- Power supply: 12 VDC
- Operating temperature: 0 to 140°F (-18 to 60°C)

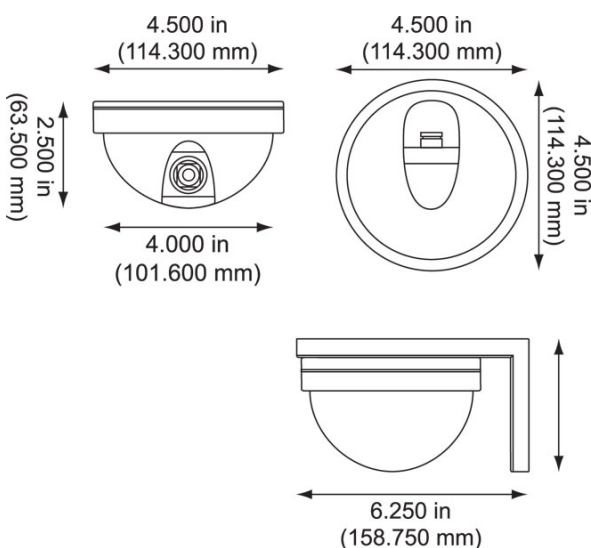
B/W Premier Line Camera

- Resolution: 425 TVL
- Sensitivity: 0.1 lux @ f1.2 (minimum illumination); 0.01 lux (faceplate)
- Power consumption: 95 mA, 1.14 W

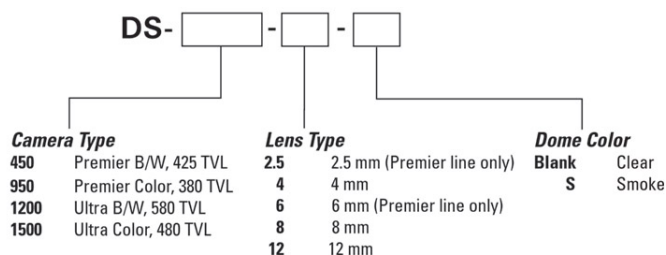
Color Premier Line Camera

- Resolution: 380 TVL
- Sensitivity: 1.0 lux @ f1.2 (minimum illumination); 0.1 lux (faceplate)
- Power consumption: 120 mA, 1.45 W

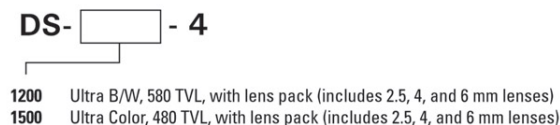
Related Diagram



Ordering Information



Accessories



Mailing Address
4575 Research Way, STE 250
Corvallis, OR 97333 USA
www.GESecurity.com

Americas
800-469-1676 (US only)
tel 541-754-9133
fax 541-754-7162

Asia
tel 852-2907-8108
fax 852-2142-5063
Australia
tel 61-3-9259-4700
fax 61-3-9259-4799

Europe
tel 32-2-725-11-20
fax 32-2-721-86-13
Latin America
tel 305-267-4301
fax 305-267-4300

www.GESecurity.com