

Horn/Strobe Electronic 860 Series

Edwards 860 Series xenon strobe beacons with horns are bright, low current, high decibel, combination signals designed for use where a distinctive visual or audible signal is required. The housing is made of gray, engineered thermoplastic. The strobe and horn can be operated independently.

The 867STR (indoor) and 868STR (outdoor) Series can be surface mounted on the supplied surface box. The 869STR and 869DSTR Series beacons can be flush mounted. They are designed to mount in a standard 4" (102mm) square electrical box with extension ring (total min. depth of 3" (76mm) not supplied.)

The 869DSTR Series is Diode Polarized for use in electrically supervised circuits.

Features and Specifications

- Xenon strobe light source with horn
- Flash rate 60 fpm
- 100dB at 1 meter/90dB at 10ft. (measured in anechoic chamber)
- Low current draw
- Terminals for easy wiring
- Gray, engineered thermoplastic housing
- Diode Polarized for use in electrically supervised circuits (869DSTR)
- Versions suitable for indoor and outdoor applications
- Operating indoor temperature range: 85% relative humidity at 86°F (30°C), 32°F to 120°F (0 to 49°C) variable ambient temperature.
- Operating outdoor temperature range: 95% relative humidity at 86°F (30°C), -31°F to 150°F (-35°C to 66°C) variable ambient temperature.



Ordering Information							
Description	Cat. No.	Operating Voltage ¹	Strobe Current ²	Horn Current ²	Lens Color	Effective Light Output UL 1638	Operating Environment
AC - Indoor Rated Surface Mount	867STRA-N5	120V AC	0.115 A (RMS)	0.033 A	Amber	90 cd	Indoor: 85% relative humidity at 86°F (30°C); 32°F to 120°F (0° to 49°C) variable ambient
	867STRB-N5	120V AC		0.033 A	Blue	20 cd	
	867STRC-N5	120V AC		0.033 A	Clear	150 cd	
	867STRG-N5	120V AC		0.033 A	Green	70 cd	
	867STRR-N5	120V AC		0.033 A	Red	21 cd	
AC/DC - Indoor Rated Surface Mount	867STRA-AQ	24V AC	0.370 A	0.072 A	Amber	90 cd	Indoor: 85% relative humidity at 86°F (30°C); 32°F to 120°F (0° to 49°C) variable ambient
		24V DC	0.390 A	0.022 A			
	867STRB-AQ	24V AC	0.370 A	0.072 A	Blue	20 cd	
		24V DC	0.390 A	0.022 A			
	867STRC-AQ	24V AC	0.370 A	0.072 A	Clear	150 cd	
		24V DC	0.390 A	0.022 A			
	867STRG-AQ	24V AC	0.370 A	0.072 A	Green	70 cd	
		24V DC	0.390 A	0.022 A			
	867STRR-AQ	24V AC	0.370 A	0.072 A	Red	21 cd	
		24V DC	0.390 A	0.022 A			

¹Operating voltage: -20% to +10% of nominal voltage.
²Horn and strobe currents are additive when connected in parallel.



Horn/Strobe Electronic 860 Series

Ordering Information							
Description	Cat. No.	Operating Voltage ¹	Strobe Current ²	Horn Current ²	Lens Color	Effective Light Output UL 1638	Operating Environment
AC - Outdoor Rated Surface Mount	868STRA-N5	120V AC	0.115 A	0.033 A	Amber	90 cd	Indoor: 85% relative humidity at 86°F (30°C); 32°F to 120°F (0° to 49°C) variable ambient Outdoor: 95% relative humidity at 86°F (30°C) -31°F to 150°F (-35°C to 66°C) variable ambient
	868STRB-N5	120V AC	0.115 A	0.033 A	Blue	20 cd	
	868STRC-N5	120V AC	0.115 A	0.033 A	Clear	150 cd	
	868STRG-N5	120V AC	0.115 A	0.033 A	Green	70 cd	
	868STRR-N5	120V AC	0.115 A	0.033 A	Red	21 cd	
AC/DC - Outdoor Rated Surface Mount	868STRA-AQ	24V AC	0.370 A	0.072 A	Amber	90 cd	
		24V DC	0.390 A	0.022 A			
	868STRB-AQ	24V AC	0.370 A	0.072 A	Blue	20 cd	
		24V DC	0.390 A	0.022 A			
	868STRC-AQ	24V AC	0.370 A	0.072 A	Clear	150 cd	
		24V DC	0.390 A	0.022 A			
	868STRG-AQ	24V AC	0.370 A	0.072 A	Green	70 cd	
		24V DC	0.390 A	0.022 A			
	868STRR-AQ	24V AC	0.370 A	0.072 A	Red	21 cd	
		24V DC	0.390 A	0.022 A			
AC - Indoor Rated Flush Mount	869STRA-N5	120V AC	0.115 A	0.033 A	Amber	90 cd	
	869STRB-N5	120V AC	0.115 A	0.033 A	Blue	20 cd	
	869STRC-N5	120V AC	0.115 A	0.033 A	Clear	150 cd	
	869STRG-N5	120V AC	0.115 A	0.033 A	Green	70 cd	
	869STRR-N5	120V AC	0.115 A	0.033 A	Red	21 cd	
AC/DC - Indoor Rated Flush Mount	869STRA-AQ	24V AC	0.370 A	0.072 A	Amber	90 cd	
		24V DC	0.390 A	0.022 A			
	869STRB-AQ	24V AC	0.370 A	0.072 A	Blue	20 cd	
		24V DC	0.390 A	0.022 A			
	869STRC-AQ	24V AC	0.370 A	0.072 A	Clear	150 cd	
		24V DC	0.390 A	0.022 A			
	869STRG-AQ	24V AC	0.370 A	0.072 A	Green	70 cd	
		24V DC	0.390 A	0.022 A			
	869STRR-AQ	24V AC	0.370 A	0.072 A	Red	21 cd	
		24V DC	0.390 A	0.022 A			
DC - Diode Polarized Indoor Rated Surface Mount	869DSTRA-G1	24V DC	0.320 A	0.048 A	Amber	90 cd	
	869DSTRB-G1	24V DC	0.320 A	0.048 A	Blue	20 cd	
	869DSTRC-G1	24V DC	0.320 A	0.048 A	Clear	150 cd	
	869DSTRG-G1	24V DC	0.320 A	0.048 A	Green	70 cd	
	869DSTRR-G1	24V DC	0.320 A	0.048 A	Red	21 cd	

¹Operating voltage: -20% to +10% of nominal voltage.

²Horn and strobe currents are additive when connected in parallel.

Horn/Strobe Electronic 860 Series

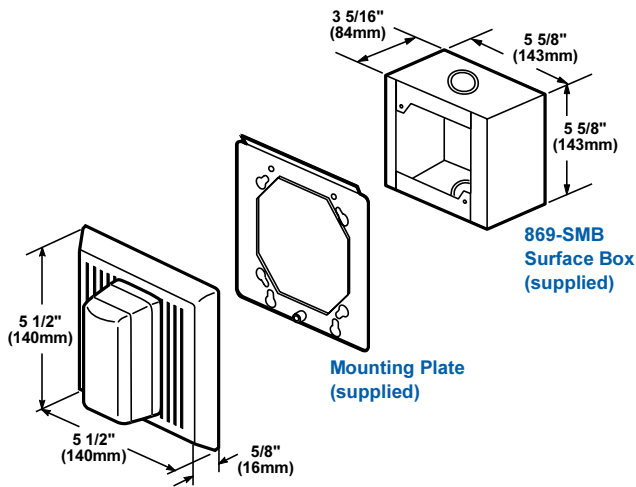
Accessories

Description	Cat. No.
Surface Mount Box, Outdoor Applications	869-WPB

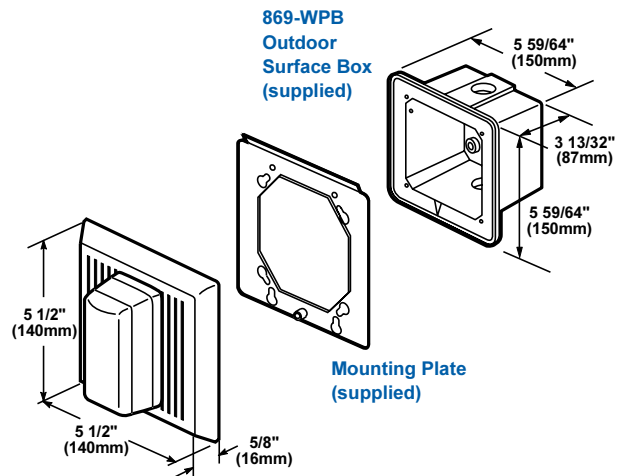
Weights and Dimensions

Cat. No.	Approx. Shipping Weight (lb.)
867STR*-N5	3.90
867STR*-AQ	3.90
868STR*-N5	3.60
868STR*-AQ	3.60
869STR*-N5	1.40
869STR*-AQ	1.40
869DSTR*-G1	1.40
869-WPB	2.10

*Letter in this position designates lens color: A - amber, B - blue, C - clear, G - green or R - red

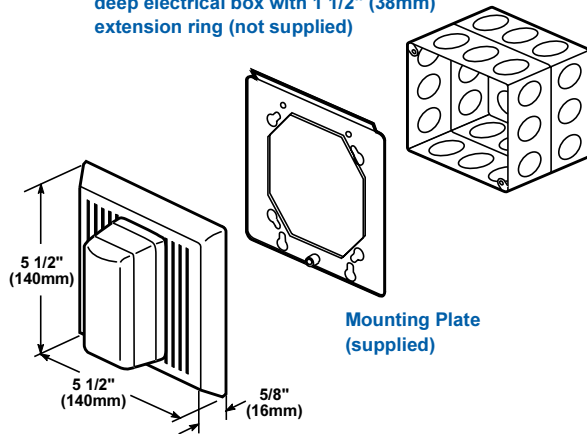


867STR Series



868STR Series

Standard North American
4" (102mm) sq. x 1 1/2" (38mm)
deep electrical box with 1 1/2" (38mm)
extension ring (not supplied)



869STR and
869DSTR Series