



Call For Assistance Kit

7008B-N5

FEATURES

- > 120V AC
- > Double pole single throw switch
- > High intensity strobe
- > Neutral white color
- > Fits single gang box

AGENCY APPROVALS

- > UL Listed

SPECIFICATIONS

- > Buzzer/strobe current draw: 115 mA
- > Strobe: 150 candela

The Edwards 7008B-N5 120 volt Call For Assistance system is designed for areas where a call-for-help device is required. The kit consists of a Cat. No. 7007B-N5 buzzer/strobe for audible and visual signaling and a Cat. No. 6537 emergency pull cord station for activation. Each component may also be ordered individually. See the applicable component catalog page for a detailed description of that component.

Use in public and private rest rooms.

7007B-N5 Buzzer/Strobe

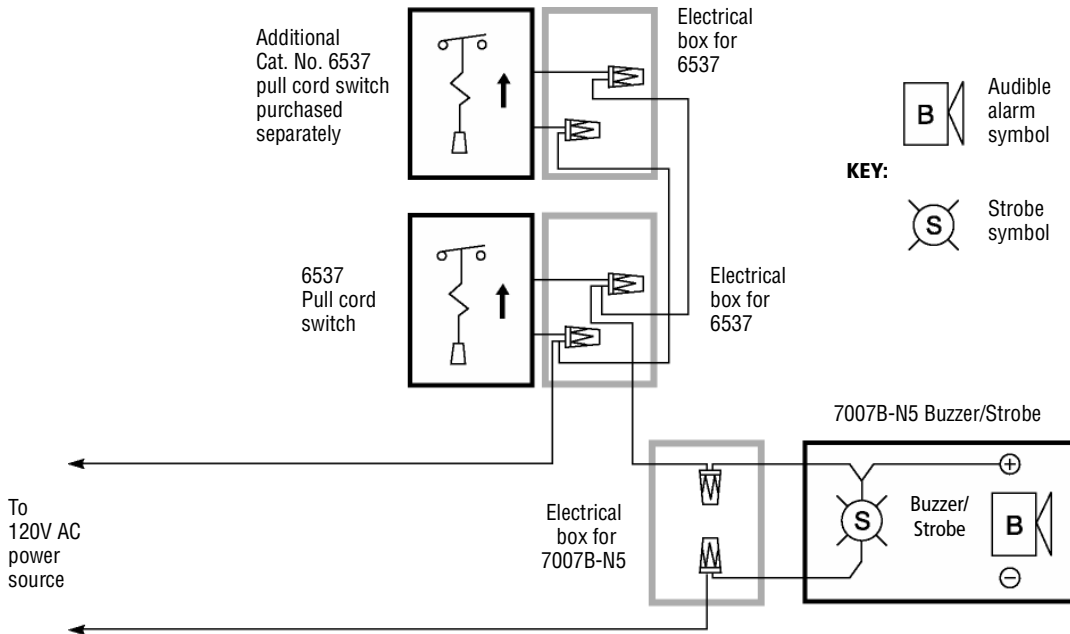
The Cat. No. 7007B-N5 buzzer/strobe is designed for installation in a single gang 2" (51mm) x 4" (102mm) box located over doors. Each unit contains an audible signal which generates an 82 dBA sound pressure level at 10 ft. and a high intensity 150 candela strobe. The unit draws 115 mA. See page 14-11.

6537 Pull Cord Station

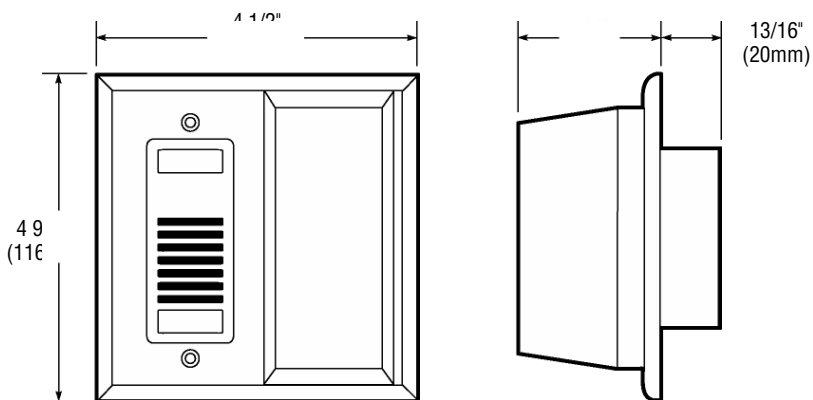
The Cat. No. 6537 pull cord station provides emergency call activation and reset. It has a stainless steel face plate with a DPST switch. See page 14-10.



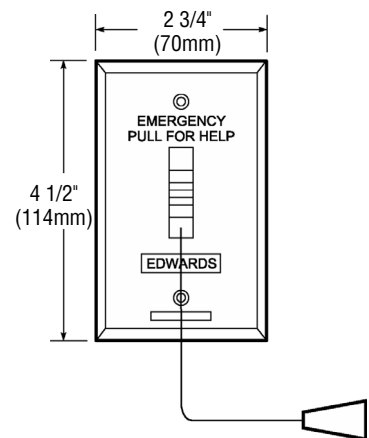
TECHNICAL INFORMATION



Connecting Cat. No. 7008B-N5 Call for Assistance Kit



Cat. No. 7007B-N5



Cat. No. 6537