



Adaptatone® Millennium Multiple Tone Signal

Four Outputs

5531M Series

FEATURES

- > 27 tone capability - No additional tone modules needed
- > Output up to 110 dB @ 10 ft
- > PLC compatible
- > Suitable for Division 2 Locations
- > Captive Components

AGENCY APPROVALS

- > NEMA Type 3R
- > IP 44
- > UL 464 and 1604
- > UL Listed for indoor and outdoor applications in Class I, Division 2, Groups A, B, C & D; Class II, Division 2, Groups F & G; and Class III Hazardous Locations
- > cUL C22.2 No. 205 (24AQ, 24N5 & 24Y6 models)
- > CE Marked, LV & EMC Directives, (24Y6 AC only & 24AQ models)
- > TUV Rheinland Certified

SPECIFICATIONS

- > Built-in cascading priority system
- > Speaker can be rotated and locked in any horizontal direction
- > 24V DC battery backup terminals

The Edwards 5531M Series Adaptatone Millennium is a heavy-duty industrial, tone-selectable, signaling device capable of producing volume-controlled, high-decibel tones. four tones can be activated from field-wired, normally open contacts, or a 24VDC or 120VAC external voltage source such as the output of a PLC. Normally open contacts can be obtained from the Cat. No. 5538-4 and/or Cat. No. 5538-4R Adaptatone Signal Actuators. See page 4-49.

The unit uses a microprocessor circuit to create 27 distinctive tones, by setting miniature dip switches within the unit. The programmed tones operate on a pyramid-type priority system. For more information on priority tone operation and a complete listing of all 27 tones, see page 4-55.

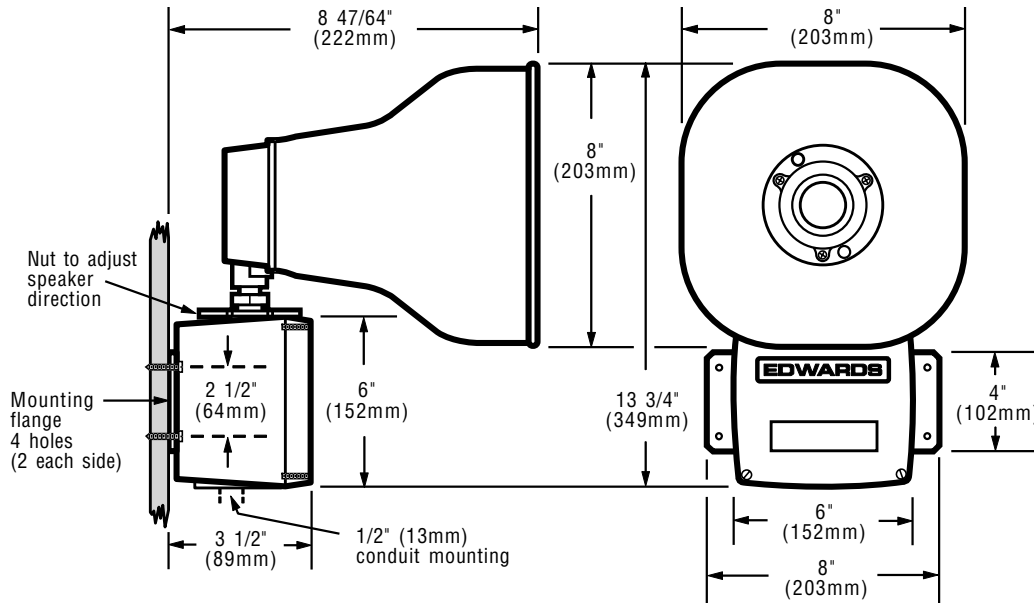
Designed for industrial applications. Typical applications include emergency warning systems, plant evacuation and security alarms, process monitoring, shift notification horns, and paging signals.

The 5531M is designed for either 1/2" (13mm) conduit or surface mounting. See Adaptatone Signaling Installation, pages 4-56.

D-04



TECHNICAL INFORMATION



| Cat. No. | Operating Voltage | Input Card Activation Voltage | Signal Off Standby Current (Amps) | Signal On Operating Current (Amps) |
|-------------|-------------------|-------------------------------|-----------------------------------|------------------------------------|
| 5531M-24AQ | 24V DC | 24VDC | 0.10 | 0.57 |
| | 24V AC 50/60 Hz | | 0.10 | 0.98 |
| 5531M-24N5 | 120V AC 50/60 Hz | 24VDC | 0.10 | 0.23 |
| 5531M-120N5 | | 120VAC | 0.10 | 0.23 |
| 5531M-24Y6 | 120V AC 50/60 Hz | 24VDC | 0.10 | 0.28 |
| 5531M-120Y6 | 240V AC 50/60 Hz | 120VAC | 0.08 | 0.15 |
| | 125V DC | | 0.10 | 0.15 |
| | 250V DC | | 0.02 | 0.08 |
| | | | | |

SIGNAL INPUT LOAD CHARACTERISTICS* (PLC output to meet following product input parameters)

| Cat. No. | Operating voltage | Max. off state leakage current (mA) | Continuous on current (mA) | Surge (inrush/duration) Amps/milliseconds |
|--------------------|------------------------------|-------------------------------------|----------------------------|---|
| 5531M-24AQ | 24V DC only | 2 | 740 | 8/4 |
| 5531M-24N5 | 120V 50/60 hz | 2 | 360 | 2.82/4 |
| 5531M-120N5 | 120V 50/60 hz | 5 | 380 | 2.82/4 |
| 24VDC Input Board | 5V DC to 24V DC (each input) | 2 | 6 | — |
| 120VAC Input Board | 120VAC 50/60 Hz (each input) | 5 | 13 | — |

*This device is PLC compatible and may be operated by PLCs with output characteristics that match the input load requirements of this signal.