

Chimes

Single Stroke

338 and 339 Series



The Edwards 338 and 339 are surface mount AC or DC single stroke chimes which can be pulsed up to 10 pulses/second. The chimes are high quality units with underdome construction intended for heavy-duty commercial and industrial use. The chimes require no lubrication, and come complete with a mounting plate.

Features and Specifications

- No exposed terminals
- Tamper-proof cover screw
- Plastic tipped stainless steel striker
- Satin aluminum finish

Ordering Information

Description	Cat. No.	Operating Voltage ¹	Current	VA	dB at 1m/10ft.
Single Stroke Chime	338-G5	24V AC	0.5 A	12	91/81
	338-N5	120V AC	0.1 A	12	91/81
Single Stroke Chime	339-E1	12V DC	0.6 A	7.2	91/81
	339-G1	24V DC	0.3 A	7.2	91/81

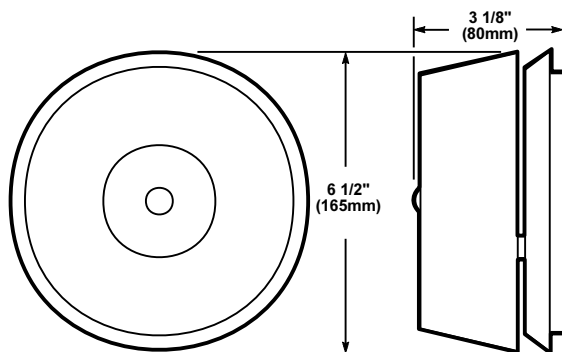
¹AC voltage frequency is 50/60 Hz.

Accessories

Description	Cat. No.
Flush Mount Grille and Wall Box	512-A
Back Box	512-1

Weights and Dimensions

Cat. No.	Approx. Net Weight (lb.)	Approx. Shipping Weight (lb.)
338-G5	2.32	2.68
338-N5	2.32	2.68
339-E1	2.32	2.68
339-G1	2.32	2.68
512-A	2.00	2.50
512-1	5.00	6.00



The mounting plate mounts on any plaster cover with mounting holes on 2 3/4" (70mm) centers, on any single gang opening, on any 3 1/4" (83mm), 3 1/2" (89mm), or 4" (102mm) octagon or square box. Also mounts directly on any wall surface.

For flush mounting use Cat. No. 512-A grille and 512-1 back box.

