

# Buzzers

## Miniature

### 15 and 115 Series

Edwards 15 and 115 Series buzzers are compact, adjustable volume buzzers designed for long-life and trouble-free installations. They are suitable for commercial and OEM applications.

The 15 Series is available in both AC and DC versions, while the contact-less 115 Series is for AC operation.

### Features and Specifications

- Adjustable volume
- Chrome cover
- Zinc plated base
- Contact-less (**115 Series**)



Ordering Information						
Description	Cat. No.	Operating Voltage	Current	VA	dB at 1m/10ft.	DC Coil Res (Ohms)
AC Buzzer	15-0G5	24V AC	0.2 A	4.8	75.5/65.5	85
	15-1G5	24V AC	0.25 A	6	78/68	56
	15-2G5	24V AC	0.25 A	6	79/69	40
	15-3G5	24V AC	0.25 A	6	84.5/74.5	30
DC Buzzer	15-1E1	12V DC	0.2 A	2.4	78/68	20
	15-3E1	12V DC	0.2 A	2.4	84.5/74.5	20
	15-0G1	24V DC	0.1 A	2.4	75.5/65.5	120
	15-1G1	24V DC	0.1 A	2.4	78/68	90
	15-2G1	24V DC	0.15 A	3.6	79/69	60
	15-3G1	24V DC	0.2 A	4.8	84.5/74.5	44
AC/DC Buzzer	15-0AJ	5-8V DC	0.2 A	1.2	75.5/65.5	10
		6-10V AC	0.3 A	2.4	75.5/65.5	10
	15-1AB	5-10V DC	0.3 A	2	78/68	8
		6-12V AC	0.45 A	3.5	78/68	8
	15-2AB	5-10V DC	3.5 A	2	79/69	6
		6-12V AC	3.0 A	3	79/69	6
15-3AB	5-10V DC	0.3 A	2	84.5/74.5	5	
	6-12V AC	0.4 A	2.5	84.5/74.5	5	
AC Buzzer contact-less	115-1AC	8V AC	0.4 A	3.2	83/73	12.5
	115-2AC	8V AC	0.5 A	4	87/77	6.5
	115-4AC	8V AC	0.45 A	4	90/80	3.6
	115-1G5	24V AC	0.2 A	4.8	83/73	80
	115-2G5	24V AC	0.2 A	4.8	87/77	45
	115-4G5	24V AC	0.25 A	6	90/80	28



# Buzzers

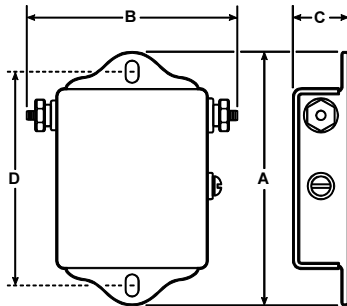
## Miniature

### 15 and 115 Series

#### Weights and Dimensions

Cat. No.	Approx. Net Weight (lb.)	Approx. Shipping Weight (lb.)	Dimensions			
			A	B	C	D
15-0AJ	0.08	0.10	1 5/8" (41mm)	1 15/32" (37mm)	1/2" (13mm)	1 13/32" (36mm)
15-0G1	0.08	0.10	1 5/8" (41mm)	1 15/32" (37mm)	1/2" (13mm)	1 13/32" (36mm)
15-0G5	0.08	0.10	1 5/8" (41mm)	1 15/32" (37mm)	1/2" (13mm)	1 13/32" (36mm)
15-1AB	0.12	0.15	2 1/8" (54mm)	1 13/16" (46mm)	19/32" (15mm)	1 53/64" (46mm)
15-1E1	0.12	0.15	2 1/8" (54mm)	1 13/16" (46mm)	19/32" (15mm)	1 53/64" (46mm)
15-1G1	0.12	0.15	2 1/8" (54mm)	1 13/16" (46mm)	19/32" (15mm)	1 53/64" (46mm)
15-1G5	0.12	0.15	2 1/8" (54mm)	1 13/16" (46mm)	19/32" (15mm)	1 53/64" (46mm)
15-2AB	0.23	0.26	2 5/8" (66mm)	2 3/8" (60mm)	15/16" (24mm)	2 3/32" (53mm)
15-2G1	0.23	0.26	2 5/8" (66mm)	2 3/8" (60mm)	15/16" (24mm)	2 3/32" (53mm)
15-2G5	0.23	0.26	2 5/8" (66mm)	2 3/8" (60mm)	15/16" (24mm)	2 3/32" (53mm)
15-3AB	0.35	0.36	2 5/8" (66mm)	2 3/8" (60mm)	15/16" (24mm)	2 3/32" (53mm)
15-3E1	0.35	0.36	2 5/8" (66mm)	2 3/8" (60mm)	15/16" (24mm)	2 3/32" (53mm)
15-3G1	0.35	0.36	2 5/8" (66mm)	2 3/8" (60mm)	15/16" (24mm)	2 3/32" (53mm)
15-3G5	0.35	0.36	2 5/8" (66mm)	2 3/8" (60mm)	15/16" (24mm)	2 3/32" (53mm)

15 Series



#### Weights and Dimensions

Cat. No.	Approx. Net Weight (lb.)	Approx. Shipping Weight (lb.)	Dimensions			
			A	B	C	D
115-1AC	0.11	0.13	2 5/32" (55mm)	1 9/32" (32mm)	5/8" (16mm)	1 25/32" (45mm)
115-1G5	0.11	0.13	2 5/32" (55mm)	1 9/32" (32mm)	5/8" (16mm)	1 25/32" (45mm)
115-2AC	0.22	0.24	2 5/8" (66mm)	1 11/16" (43mm)	25/32" (20mm)	2 3/32" (53mm)
115-2G5	0.22	0.24	2 5/8" (66mm)	1 11/16" (43mm)	25/32" (20mm)	2 3/32" (53mm)
115-4AC	0.43	0.50	3 7/16" (87mm)	2 3/16" (55mm)	1 1/8" (28mm)	2 27/32" (72mm)
115-4G5	0.43	0.50	3 7/16" (87mm)	2 3/16" (55mm)	1 1/8" (28mm)	2 27/32" (72mm)

115 Series

