

Horns

Projector/Double Projector

B93 Class



The B93 Class are designed for use where a loud and distinctive signal is needed. The sound mechanism of the signal starts and stops instantly with current impulse. The projector is connected to the heavy duty die cast aluminum housing by a cast aluminum, threaded ring.

Two mounting lugs are provided on either side of the unit for wall mounting. The housing is tapped on one side for 1/2" (13mm) conduit to allow for field wiring installation.

Features and Specifications

- Convenient plug-in assembly
- Corrosion resistant heat flowed epoxy finish
- Completely assembled
- Gasket sealed
- External volume control screw
- Heavy duty die cast aluminum
- 7" (178mm) seamless steel projector
- Vibrating diaphragm
- Tungsten contacts with arc suppressor
(B-8526 and B-8599)
- NEMA Type 4X enclosure

Ordering Information

Description	Cat. No.	Operating Voltage	Current	VA	dB at 1m/10ft.	DC Coil Res (Ohms)
Single Projector, AC	B-N-8546-E5	12V AC	1.6 A	19.2	107/97	3
	B-N-8546-G5	24V AC	1.1 A	26.4	107/97	5
	B-N-8546-N5	120V AC	0.2 A	24	107/97	146
	B-N-8546-R5	240V AC	0.1 A	24	107/97	750
Single Projector, DC	B-8526-G1	24V DC	1 A	24	105/95	1.5
	B-8526-P1	125V DC	0.2 A	25	105/95	103
	B-8526-S1	250V DC	0.1 A	25	105/95	600
Double Projector, AC	B-N-8590-E5	12V AC	1.6 A	19.2	105/95	3
	B-N-8590-G5	24V AC	1.1 A	26.4	105/95	5
	B-N-8590-N5	120V AC	0.2 A	24	105/95	146
Double Projector, DC	B-8599-E1	12V DC	1.5 A	18	103/93	3
	B-8599-G1	24V DC	1 A	24	103/93	21.5
	B-8599-P1	125V DC	0.2 A	25	103/93	103

Weights and Dimensions

Cat. No.	Approx. Net Weight (lb.)	Approx. Shipping Weight (lb.)
B-N-8546-E5	2.81	3.13
B-N-8546-G5	2.81	3.13
B-N-8546-N5	2.81	3.13
B-N-8546-R5	2.81	3.13
B-8526-G1	2.81	3.13
B-8526-P1	2.81	3.13
B-8526-S1	2.81	3.13
B-N-8590-E5	4.00	5.10
B-N-8590-G5	4.00	5.10
B-N-8590-N5	4.00	5.10
B-8599-E1	4.00	5.10
B-8599-G1	4.00	5.10
B-8599-P1	4.00	5.10

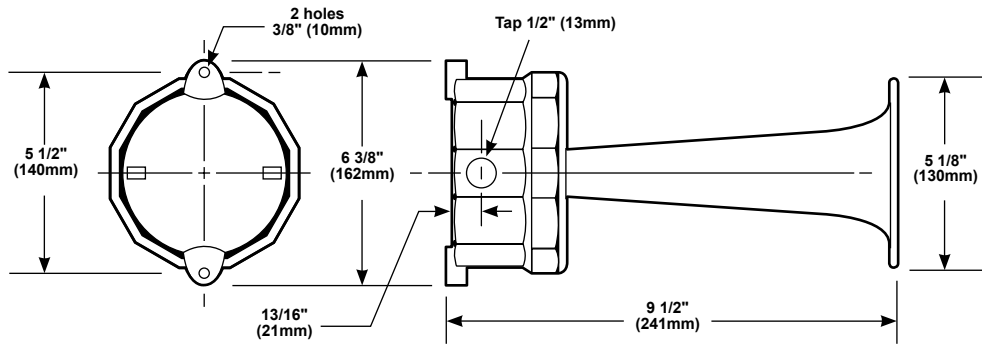


Horns

Projector/Double Projector

B93 Class

B-8526 and B-N-8546 Series



B-N-8590 and B-8599 Series

