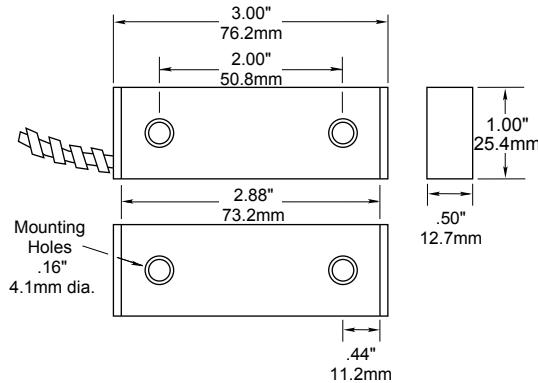


# Aluminum Housing Armored Cable Wide Gap 2500 Series

## Applications

- Mounting brackets available for gates, garage doors, freezers
- Rugged construction for long life
- Convenient surface mounting
- 2507AH is polarity-sensitive with reference to magnet direction



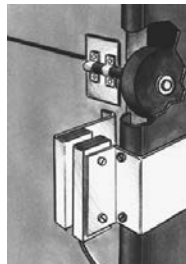
## General Specifications

Enclosure	Brushed anodized aluminum with ABS plastic end caps (L)
Temperature Range	-40°F to 150°F (-40°C to 65°C)
Environmental	Hermetically Sealed Reed Switch Encapsulated in Polyurethane
NEMA Rating	1, 2, 3, 4, 4x, 5, 6, 12
Protection Class	IP 67
Response Time	1 msec max.
Life Cycles	100,000 Under Full Load, 10,000,000 Under Dry Circuit
Lead Types/O.D.	Stainless Steel Armored Cable with #22 wire / (0.28")(0.71cm)
UL/ULC Listed	Most Models

## Mounting Kits for 2500 Series

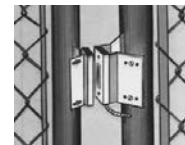
### 1092A Garage Door Track Mounting Kit for Model 2505A

- Includes:
- 1- 1940 bracket
  - 1-1912 bracket
  - 1-2505A contact, mounting screws and instructions



### 1094A Curtain Door Mounting Kit for Model 2507AH

- Includes:
- 1- 1941 bracket
  - 1-1942 bracket
  - 1-2507AH contact, mounting screws and instructions



## Order Information

## Electrical Specifications

Part Number	Contact <sup>1</sup> Configuration	Load Rating (AC/DC)	Switching Voltage (AC/DC)	Switching Current (AC/DC)	Contact Resistance	Sense Range <sup>2</sup> Nominal	Lead Length
2505A-L	N.O.	7.5W/VA	100V	0.5A	0.2 Ohms	3.0" (7.6cm)	3'
2507A-L	SPDT	3W/VA	30V	0.25A	0.25 Ohms	3.0" (7.6cm)	3'
2507AD <sup>4</sup> -L	DPDT	3W/VA	30V	0.25A	0.25 Ohms	1.5" (3.8cm) Min	3'
2507AH <sup>3,4</sup> -L	SPDT	3W/VA	30V	0.25A	0.25 Ohms	0.8" (1.9cm) Min	3'

**Warning— Each electrical rating is an individual maximum and cannot be exceeded!**

<sup>1</sup> Configuration with actuator away from the switch

<sup>2</sup> Proximity of ferrous materials usually reduces sense range — typically by 50%. The shape and type of material cause a wide diversity of effects. Testing is required to determine actual sense range for specific applications. As measured on a nonferrous surface.

Gap distances are nominal make distance ± 20%. Gap Specifications are for switch to make. Break distance is approximately 1.1 to 1.5 times make.

<sup>3</sup> Note: 2507AH biased type temperature rating: -20°F to 150°F (-28°C to 65°C).

<sup>4</sup> Not ULC Listed