

Electronic Audible Signals

Connectivity and Activation

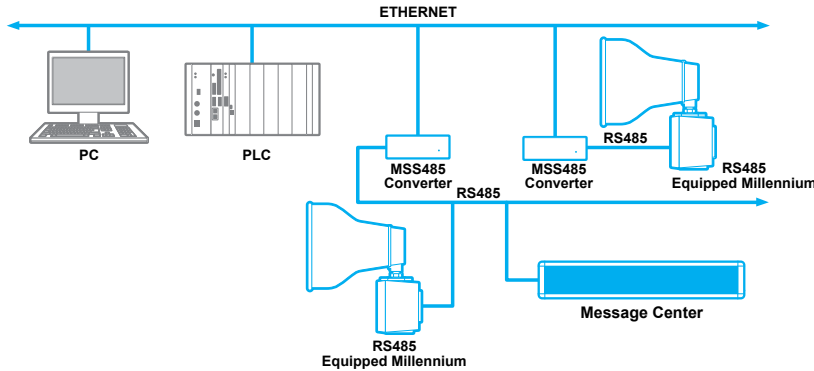
Millennium Class



PLC Connectivity

The Millennium Class products are designed to be directly connected to a PLC (Programmable Logic Controller) that utilize the most common control voltages—24V DC and 120V AC @ 60 Hz. Each of the Millennium products

list the specific signal load characteristics such as the Operating Voltage, Continuous On Input Current, Off State Leakage Current Maximum and Surge current (inrush/duration).



5530MV Series Millennium

RS485 Activation

Select Millennium Units have been designed for serial communication and activation in RS485 networks. Refer to the list below for model numbers.

Activation Voltages

Depending on the model no., the inputs to the Millennium Class products can be activated by closing a dry contact, such as a relay or switch or by applying an externally generated voltage to the input terminals. In addition, the units may accept either 24V DC or 120V AC inputs.

The 120V AC input configuration is used on all models with "-120xx" in the suffix (where xx = the operating voltage code) and the 24V DC input configurations on models with "-24xx" in the suffix of the catalog number (where xx = the operating voltage code). When using dry contact inputs the models configured for 24V DC ("-24xx" suffix) inputs should be used. Reference "Model Activation Voltage" table below for the activation voltage for each model.

Model Activation Voltage

Dry Contact or 24V DC	120V AC
5530M-24xx	5530M-120xx
5530MHV-24xx	5530MHV-120xx
5531M-24xx	5531M-120xx
5531MHV-24xx	5531MHV-120xx
5536M-24xx	5540M-120xx
5540M-24xx	5531MV-120xx
5540MV-24xx	—
5531MV-24xx	—

XX denotes the voltage code

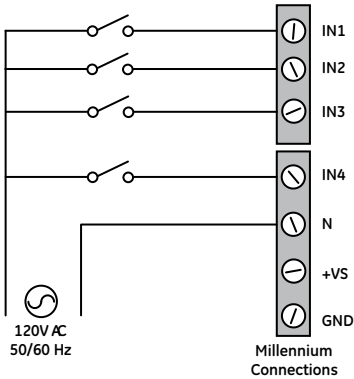
RS485 Activation

Models
5530M-485Y6
5530MHV-485Y6
5530MV-485Y6
5532M-485Y6
5532MHV-485Y6
5540M-485Y6
5540MV-485Y6
5560M with 556T-M485

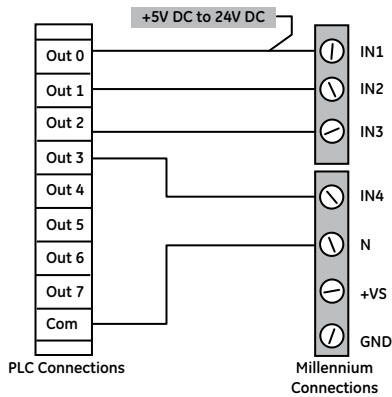
Electronic Audible Signals Connectivity and Activation Millennium Class

Technical Information

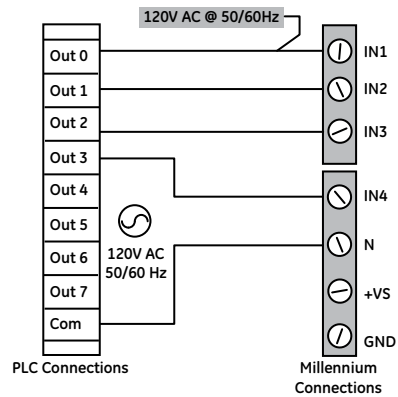
Dry contact wiring for 120V Input Units (5531M-120xx)



24V DC PLC Connection*



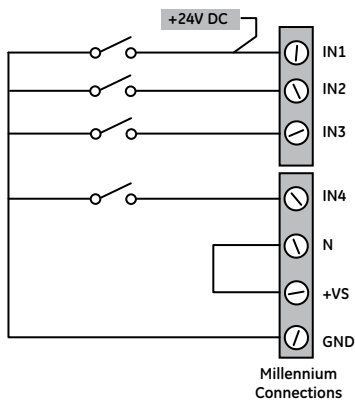
120V DC PLC Connection*



* The installer should consult the PLC manufacturer's output card data sheet and the Millennium PLC compatibility chart when connecting to a PLC.

Dry Contact Wiring for 24V Input Units (5531M-24xx)

Method A - Pull Down (Recommended)



Method B - Pull Up

