

# Electronic Audible Signals

## Multi-Tone Signal – Single Input, Single Output

### Millennium Class



The Millennium Class are heavy-duty industrial, tone-selectable, signaling devices capable of producing volume-controlled, high-decibel tones. Selected models are designed to serially connect to RS485 networks. The 5530MV-485Y6 additionally has a field recordable voice feature that allows activation of voice messages over the RS485 network.

#### Features and Specifications

- User selectable 55 tone capability - No additional tone modules needed
- Output up to 120dB @ 1m (110dB @ 10ft.)
- Output up to 123dB @ 1m (113dB @ 10ft.)
- **(5530MHV Series)**
- Captive components
- RS485 models supervised
- Diode polarized for supervisory circuits
- **(5530MD-24AW)**
- Speaker can be rotated and locked in any horizontal direction
- 24V DC battery backup terminals provided
- NEMA Type 3R
- UL listed for Class 1, Div. 2, Groups A, B, C and D; Class II, Div. 2, Groups F and G; Class III hazardous locations

Ordering Information		Operating Voltage <sup>1</sup>	Input Activation Voltage	Signal Off Standby Current (Amps)	Signal On Operating Current (Amps)
Single output, 15 Watt Standard Volume	<b>5530M-24AQ</b>	24V DC	24V DC	0.10 A	0.74 A
	<b>5530M-24N5</b>	24V AC	24V DC	0.10 A	1.3 A
	<b>5530M-120N5</b>	120V AC	24V DC	0.10 A	0.36 A
	<b>5530M-120N5</b>	120V AC	120V AC	0.10 A	0.38 A
	<b>5530M-24Y6</b>	120V-240V AC	24V DC	0.10 A	0.31-0.20 A
Single output, RS485	<b>5530M-120Y6</b>	125-250V DC	120V AC	0.10-0.02 A	0.21-0.10 A
	<b>5530M-485Y6</b>	120-240V AC	RS485	0.10 A	0.32-0.20 A
Single output, RS485 Field recordable voice model	<b>5530M-485Y6</b>	125-250V DC	RS485	0.10-0.02 A	0.21-0.10 A
	<b>5530MV-485Y6</b>	120-240V AC	RS485	0.10 A	0.31-0.20 A
Single output, 30 Watt High Volume	<b>5530MV-485Y6</b>	125-250V DC	RS485	0.10-0.02 A	0.20-0.10 A
	<b>5530MHV-24AQ</b>	24V DC	24V DC	0.10 A	1.5 A
Single output, 30 Watt High Volume	<b>5530MHV-24Y6</b>	24V AC	24V DC	0.10 A	2.3 A
	<b>5530MHV-24Y6</b>	120-240V AC	24V DC	0.10 A	0.56-0.34 A
	<b>5530MHV-120Y6</b>	125-250V DC	120V AC	0.10-0.02 A	0.39-0.19 A
Single output, RS485 Connection 30 Watt High Volume	<b>5530MHV-485Y6</b>	120V AC-240V AC	RS485	0.10 A	0.56-0.34 A
	<b>5530MHV-485Y6</b>	125-250V DC	RS485	0.10-0.02 A	0.39-0.19 A
Single output, Diode Polarized	<b>5530MD-24AW<sup>2</sup></b>	20-31V DC	—	—	0.63-1.0 A

<sup>1</sup>AC voltage frequency is 50/60 Hz.  
<sup>2</sup>Red finish

#### Signal Input Load Characteristics

These devices may be operated by PLCs with output characteristics that match the input load requirements of the signal.

Cat. No.	Operating Voltage <sup>1</sup>	Max. Off State Leakage Current (A)	Continuous On Current (A)	Surge (Inrush/Duration) Amps/Milliseconds
<b>5530M-24AQ</b>	24V DC only	0.002	0.740	8/4
<b>5530M-24N5</b>	120V	0.002	0.360	2.82/4
<b>5530M-120N5</b>	120V	0.005	0.380	2.82/4
<b>5530MHV-24AQ</b>	24V DC only	0.002	1.500	8/4



# Electronic Audible Signals

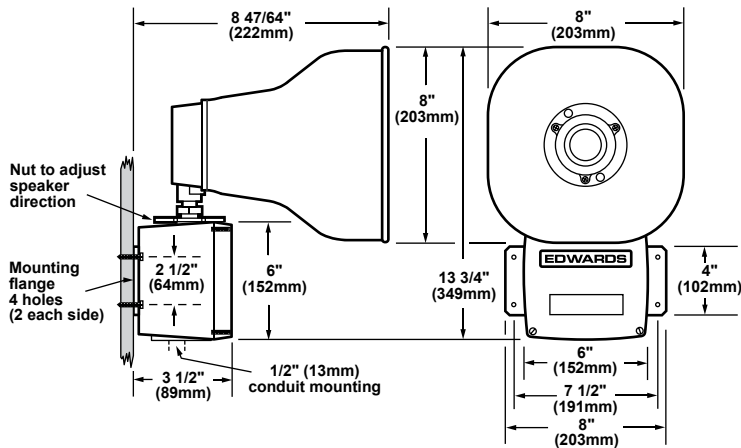
## Multi-Tone Signal – Single Input, Single Output

### Millennium Class

#### Weights and Dimensions

Cat. No.	Approx. Net Weight (lb.)	Approx. Shipping Weight (lb.)
5530M-24AQ	10.60	13.20
5530M-24N5	10.60	13.20
5530M-120N5	10.60	13.20
5530M-24Y6	10.60	13.20
5530M-120Y6	10.60	13.20
5530M-485Y6	10.60	13.20
5530MV-485Y6	10.60	13.20
5530MHV-24AQ	10.60	13.20
5530MHV-24Y6	10.60	13.20
5530MHV-120Y6	10.60	13.20
5530MHV-485Y6	10.60	13.20
5530MD-24AW	10.60	13.20

#### 5530M, 5530MV, and 5530MD-24AW Series



#### 5530MHV Series

