

# Beacons

## Flashing Halogen or Incandescent

### 48 Series

Edwards Signaling 48 Series mid-sized, Halogen and Incandescent flashing beacons are economical, NEMA Type 4X rated devices suitable for use in indoor or outdoor applications where a flashing light source is required. Base material is gray ABS. Unique snap-on, high-impact polycarbonate double fresnel lens is optically engineered to maximize light distribution and viewing distance.

### Features and Specifications

- Halogen or Incandescent light source
- Flash rate 65 fpm
- Quick snap-on, high-impact polycarbonate lens
- Gray ABS base
- Suitable for use in indoor and outdoor applications
- For outdoor use, lens should face up
- Option for panel or conduit mounting
- NEMA Type 4X enclosure
- Operating temperature range: -31°F to 150°F (-35°C to 66°C)



VISUAL SIGNALS

### Ordering Information

Description	Cat. No.	Operating Voltage	Operating Current	Lens Colors	Lamp Ratings <sup>1</sup>	Replacement				
						Lens	Flasher	Lamp		
Flashing Beacon Halogen	48FINR-G5-20WH	24V AC	0.80 A	Red	25,000 hr.	96-LR	P-041917-0029	50LMP-20WH or Ind. Trade No. 1692 <sup>2,3</sup>		
	48FING-G5-20WH	24V AC	0.80 A	Green	25,000 hr.	96-LG				
	48FINA-G5-20WH	24V AC	0.80 A	Amber	25,000 hr.	96-LA				
	48FINB-G5-20WH	24V AC	0.80 A	Blue	25,000 hr.	96-LB				
	48FINC-G5-20WH	24V AC	0.80 A	Clear	25,000 hr.	96-LC				
	48FINM-G5-20WH	24V AC	0.80 A	Magenta	25,000 hr.	96-LM				
	48FINR-N5-25WH	120V AC	0.20 A	Red	25,000 hr.	96-LR	P-041917-0026	50LMP-25WH or Ind. Trade No. 25T8DC <sup>2,3</sup>		
	48FING-N5-25WH	120V AC	0.20 A	Green	25,000 hr.	96-LG				
	48FINA-N5-25WH	120V AC	0.20 A	Amber	25,000 hr.	96-LA				
	48FINB-N5-25WH	120V AC	0.20 A	Blue	25,000 hr.	96-LB				
	48FINC-N5-25WH	120V AC	0.20 A	Clear	25,000 hr.	96-LC				
	48FINM-N5-25WH	120V AC	0.20 A	Magenta	25,000 hr.	96-LM				
	Flashing Beacon Incandescent	48FINR-G1-20WH	24V DC	0.80 A	Red	25,000 hr.	96-LR	P-041917-0029	50LMP-20WH	
		48FING-G1-20WH	24V DC	0.80 A	Green	25,000 hr.	96-LG			
48FINA-G1-20WH		24V DC	0.80 A	Amber	25,000 hr.	96-LA				
48FINB-G1-20WH		24V DC	0.80 A	Blue	25,000 hr.	96-LB				
48FINC-G1-20WH		24V DC	0.80 A	Clear	25,000 hr.	96-LC				
48FINM-G1-20WH		24V DC	0.80 A	Magenta	25,000 hr.	96-LM				
48FINR-E1		12V DC	1.0 A	Red	1,520 hr.	96-LR	P-041917-0028			Industry Trade No. 94 <sup>3</sup>
48FING-E1		12V DC	1.0 A	Green	1,520 hr.	96-LG				
48FINA-E1	12V DC	1.0 A	Amber	1,520 hr.	96-LA					
48FINB-E1	12V DC	1.0 A	Blue	1,520 hr.	96-LB					
48FINC-E1	12V DC	1.0 A	Clear	1,520 hr.	96-LC					
48FINM-E1	12V DC	1.0 A	Magenta	1,520 hr.	96-LM					

<sup>1</sup>Projected lamp life based on manufacturer's calculated lamp life at 65 fpm and 50% duty cycle.

<sup>2</sup>Incandescent lamps

<sup>3</sup>User supplied



# Beacons

## Flashing Halogen or Incandescent

### 48 Series

#### Accessories

Description	Cat. No.
Gasket Kit suitable for outdoor surface installation – AC models	<b>GSK-KIT</b>
Corner Mount Bracket	<b>CBR</b>
Wall Mount Bracket	<b>WBR</b>



**GSK-KIT**  
Gasket Kit



**CBR**  
Corner Mount Bracket



**WBR**  
Wall Mount Bracket

#### Signal Input Load Characteristics

These devices may be operated by PLCs with output characteristics that match the input load requirements of the signal.

Cat. No.	Operating <sup>1</sup> Voltage	Max. Off State Leakage Current (A)	Continuous On Current (A)	Surge (inrush / duration)
<b>48FIN*-N5-25WH</b>	120V AC	0.025	0.200	1.3 A / 8 mSeconds
<b>48FIN*-G1-20WH</b>	24V DC	0.025	0.800	2.2 A / 100 mSeconds

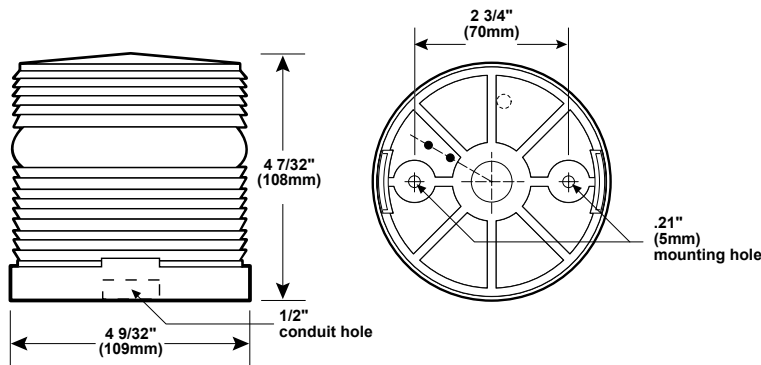
\*Letter in this position designates lens color: A - amber, B - blue, C - clear, G - green, M - magenta or R - red

<sup>1</sup>AC voltage frequency is 50/60 Hz

#### Weights and Dimensions

Cat. No.	Approx. Net Weight (lb.)	Approx. Shipping Weight (lb.)
<b>48FIN*-G5-20WH</b>	0.16	0.32
<b>48FIN*-N5-25WH</b>	0.16	0.32
<b>48FIN*-G1-20WH</b>	0.16	0.32
<b>48FIN*-E1</b>	0.70	0.86
<b>GSK-KIT</b>	0.70	1.00
<b>CBR</b>	4.00	4.20
<b>WBR</b>	2.30	2.50

\*Letter in this position designates lens color: A - amber, B - blue, C - clear, G - green, M - magenta or R - red



Use Cat. No. GSK-KIT gasket kit suitable for outdoor surface mount installation on AC units