

# DG100 SERIES

## MULTIPURPOSE CONTROLS

### 1 OR 2 CHANNEL

### 365/7 DAY

### TIME SWITCH



NEW!

CALIFORNIA Title 24

ASHRAE 90.1

**HOLIDAY PROGRAMMING**  
FOR MORE SAVINGS!

#### APPLICATIONS



- Indoor/Outdoor lighting
- HVAC equipment
- School warning and other
- Traffic lights
- Water heaters in offices, churches and factories

#### FEATURES

**SCHEDULING:** 56 ON & OFF set points provide individual programs for each day of the week. Minimum setting is 1 minute.

**MOMENTARY CONTACT:** DGM100A has 2 second contact closures for ON & OFF control of mechanically held contactors or latching relays.

**BLOCK HOLIDAY:** 9 holiday blocks can be set for individual days or for duration of any number of days.

**DAYLIGHT SAVING:** Automatic adjustment (can be omitted).

**LEAP YEAR:** Automatic Compensation.

**MANUAL OVERRIDE:** Until the next regularly scheduled ON or OFF; automatic operation then resumes.

**CLOCK FORMAT:** AM/PM or 24 Hour format.

**POWER OUTAGE BACKUP:** Permanent schedule retention is provided. Supercapacitor provides 7 days of real time back up.

#### ORDERING INFO

CATALOG NO.	UPC CODE	INPUT SUPPLY (VAC) 50/60Hz	NO. OF CHANNELS	OUTPUT CONTACTS
DG100A	82201	120-277VAC	1	DPDT
DG200A	82209	120-277VAC	2	SPDT
DGM100A	82210	120-277VAC	1	SPDT Momentary
DGM100A-Y	82222	120-277VAC	1	SPDT Momentary

#### SPECIFICATIONS

**TIMING ACCURACY:** Line Frequency.

**INPUT VOLTAGE:** 120 - 277VAC, 50/60Hz (automatic detection).

**TERMINAL RANGE:** #12 - #18AWG.

**OPERATING TEMPERATURE:** -31° to +131°F (-35° to +55°C).

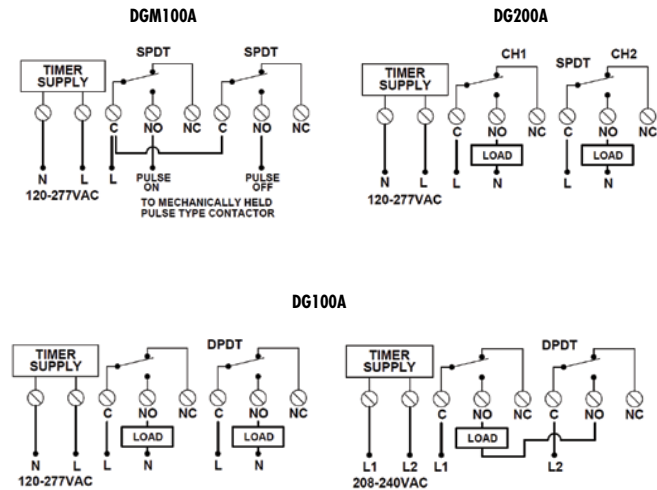
**POWER CONSUMPTION:** 6VA Max.

**ENCLOSURE:** Noryl® Indoor/Outdoor NEMA 3R. Suffix -Y metal indoor enclosure NEMA 1. All with lockable hasp (see page 153 for enclosure dimensions).

#### CONTACT RATINGS

TYPE	VOLTAGE	RATING	
		NO	NC
Resistive	24-277VAC	20A	10A
Ballast	120 VAC 277 VAC	20A	10A
Tungsten	120VAC	15A	
Pilot Duty	120VAC 240VAC	720VA	290VA 360VA
Motor	120VAC 240VAC	1HP 2HP	1/4HP 1/2HP
Resistive	28VDC	20A	10A

#### WIRING DIAGRAMS



#### SPECIFICATION WRITER'S GUIDE

DG100/200A SERIES – 1. Furnish and install, where noted, a 1 (2) channel 7-day programmable digital time switch. 2. Controller shall program in AM/PM (12 hour) or Military (24 hour) formats. 3. Unit shall be capable of switching 20 amps ballast loads at 277VAC. 4. Controller shall be capable of 56 set points; separate scheduling for each day of the week with one minute resolution. 5. Controller shall have 365 day holiday capabilities with 9 block holidays for individual or duration of any number of days. 6. Controller shall be able to select USA Standard Daylight Saving, Standard time, or programmable dates. 7. Controller shall have automatic Leap Year correction. 8. Controller shall have Permanent Schedule Retention. 9. Controller shall have 7 days backup for real time with built in super capacitor; no batteries to maintain. 10. Controller shall be capable of Manual Override ON or OFF to the next scheduled event using 1 button for each channel. 11. Unit shall have NEMA Type 3R indoor/outdoor enclosure as standard. 12. To order specify TORK Model DG100A (DG200A). 13. To order momentary contact closure for latching contactor control specify DGM100A.