

Rigid/IMC Conduit Bodies, Covers & Gaskets

T&B Catalog Number:

C200MCG

UPC Number:

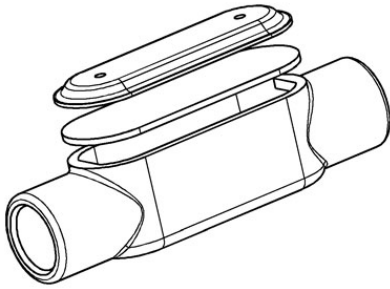
78620986896

Status:

Active

Description:

2 Inch Series 35 Unipak Type C Conduit Body, Cover and Gasket, Body Material and Finish Malleable Iron Zinc Plated with Aluminum, Acrylic Coating, Cover Material and Finish Stamped Steel Zinc Plated, Gasket Material Neoprene



Features

Zinc-plated iron construction with aluminum acrylic coating provides durability, impact resistance and corrosion resistance.

All threaded hubs have tapered threads.

Suitable for use in concrete

Application

To connect conduit sections

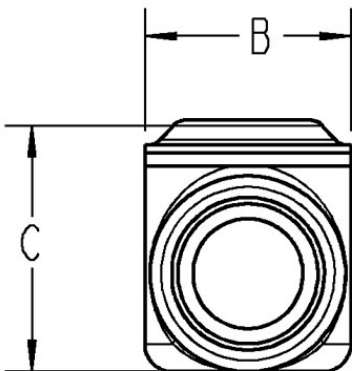
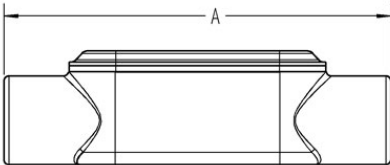
Serve as pulling outlets during conductor installation

Provide easy access for splices in brand conductors

Make 90 degree bends in conduit runs

Act as mounting outlets for wiring devices and lighting fixtures

Provide access to conductors for maintenance and future system changes.



General

Trade Size (inches)	2
Material	Malleable Iron
Finish	Zinc Plating with Aluminum Acrylic Coating
Volume (cu.in.)	75
Conduit Body Shape	C

Dimension Information

Dimension A (inches)	11.500
Dimension B (inches)	3.125
Dimension C (inches)	3.313

Packaging

Package in Units	1
T&B Sold in UOM	Each
T&B Weight Per UOM	7 lbs. Each

Application Support

T&B Sales Drawings	wsd-000301
Product Brochure-BlueKote Universal Conduit Elbow	Available on Website
Form 7-Form 8 & Series 35 Conduit Body Fill	Available on Website
Product Brochure-Stainless Steel Form 8 Conduit Outlet Bodies	Available on Website

Certifications

RoHS Compliance	Yes
-----------------	-----

Certifications



File Nbr:
E 2969

For further technical assistance, please contact us...

Thomas & Betts - USA
8155 T&B Blvd.
Memphis, TN 38125
www.tnb.com

T&B Technical Support
MS 3B-50
8155 T&B Blvd.
Memphis, TN 38125

Hours: 7AM - 6PM CDT
Monday-Friday
Phone: (888) 862-3289
Fax: (901) 252-1321
Email: techsupport@tnb.com