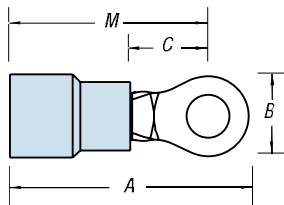


## Ring Terminals

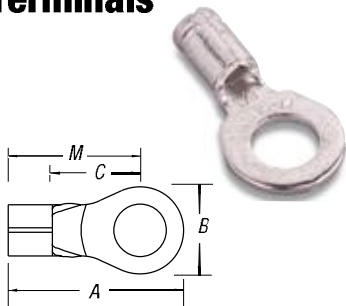
### Insulated Heavy-Duty Ring Terminals



CAT. NO.	PKG. QTY.	WIRE RANGE	MAX. INS.	BOLT HOLE	REC. TOOL	DIMENSIONS				STOCK THICK.
						A	B	C	M	
<i>Nylon</i>										
RBC14-6	50	16-14 Heavy-duty	.210	#6	WT2130A	.98	.25	.29	.85	.05
RBC14-8	50	16-14 Heavy-duty	.210	#8		1.04	.39	.29	.85	
RBC863	500		.210	#8		1.04	.39	.29	.85	
RBC14-10	50	16-14 Heavy-duty	.210	#10		1.04	.39	.29	.85	
RBC14-14	50	16-14 Heavy-duty	.210	1/4"		1.10	.51	.29	.85	
RBC713	500		.210	1/4"		1.10	.51	.29	.85	
RBC14-516	50	16-14 Heavy-duty	.210	5/16"		1.21	.54	.38	.94	
RBC14-38	50	16-14 Heavy-duty	.210	3/8"		1.26	.63	.38	.94	
RBC14-12	50	16-14 Heavy-duty	.210	1/2"		1.49	.76	.54	1.11	
RBC753	500		.210	1/2"		1.49	.76	.54	1.11	
<i>Vinyl</i>										
14RBC-6	50	16-14 Heavy-duty	.210	#6	WT2130A	1.06	.25	.29	.93	.05
RBC857	500		.210	#6		1.06	.25	.29	.93	
14RBC-8	50	16-14 Heavy-duty	.210	#8		1.13	.39	.29	.93	
RBC867	500		.210	#8		1.13	.39	.29	.93	
14RBC-10	50	16-14 Heavy-duty	.210	#10		1.13	.39	.29	.93	
RBC877	500		.210	#10		1.13	.39	.29	.93	
14RBC-14	50	16-14 Heavy-duty	.210	1/4"		1.19	.51	.29	.93	
RBC717	500		.210	1/4"		1.19	.51	.29	.93	
14RBC-516	50	16-14 Heavy-duty	.210	5/16"		1.29	.54	.38	1.03	
RBC727	500		.210	5/16"		1.29	.54	.38	1.03	
14RBC-38	50	16-14 Heavy-duty	.210	3/8"		1.34	.63	.38	1.03	
RBC797	500		.210	3/8"		1.34	.63	.38	1.03	
14RBC-12	50	16-14 Heavy-duty	.210	1/2"		1.57	.76	.54	1.19	
RB757	500		.210	1/2"		1.57	.76	.54	1.19	

### The heavy-duty terminal solution!

### Non-Insulated Heavy-Duty Ring Terminals

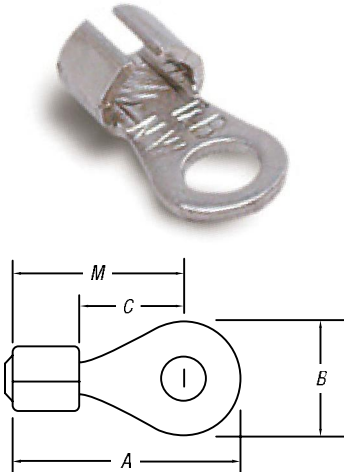


CAT. NO.	PKG. QTY.	WIRE RANGE	BOLT HOLE	REC. TOOL	DIMENSIONS				STOCK THICK.
					A	B	C	M	
BC14-6	50	16-14 Heavy-duty	#6	ER4002 ERG4005	.81	.25	.29	.68	.05
BC85	500		#6		.81	.25	.29	.68	
BC14-8	50	16-14 Heavy-duty	#8		.87	.39	.29	.68	
BC86	500		#8		.87	.39	.29	.68	
BC14-10	50	16-14 Heavy-duty	#10		.87	.39	.29	.68	
BC87	500		#10		.87	.39	.29	.68	
BC14-14	50	16-14 Heavy-duty	1/4"		.93	.51	.29	.68	
BC71	500		1/4"		.93	.51	.29	.68	
BC14-516	50	16-14 Heavy-duty	5/16"		1.04	.54	.38	.77	
BC72	500		5/16"		1.04	.54	.38	.77	
BC14-38	50	16-14 Heavy-duty	3/8"		1.09	.63	.38	.77	
BC79	500		3/8"		1.09	.63	.38	.77	
BC14-12	50	16-14 Heavy-duty	1/2"		1.32	.76	.54	.94	
BC75	500		1/2"		1.32	.76	.54	.94	

## Ring Terminals

Terminals for nichrome wire NW Series.

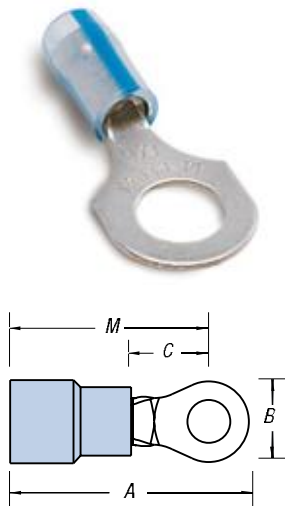
**High-Temperature Non-Insulated Rings — 1200° F Max.**



CAT. NO.	PKG. QTY.	WIRE RANGE	WT./LBS. PER 1,000	BOLT HOLE	REC. TOOL	DIMENSIONS				STOCK THICK.
						A	B	C	M	
NW18-10	100	20-18	2.5	#10	WT1377	.63	.31	.28	.38	.032
NW52	1,000	20-18	2.5	#8		.63	.31	.28	.38	
NW81	1,000	16-14	2.5	#6		.66	.31	.28	.51	.040
NW14-8	100	16-14	2.5	#8		.66	.31	.28	.51	
NW14-10	100	16-14	2.5	#10		.66	.31	.28	.51	
NW83	1,000	16-14	2.5	#10		.66	.31	.28	.51	
NW14-12	100	16-14	2.5	#12*		.66	.31	.28	.51	
NW84	1,000	16-14	2.5	#12*		.66	.31	.28	.51	
NW10-8	50	12-10	3	#8		.66	.31	.28	.51	.040
NW10-10	50	12-10	3	#10		.66	.31	.28	.51	
NW10-12	50	12-10	3	#12*		.66	.31	.28	.51	

\* #12 stud is smaller than 1/4" stud.

## Tefzel® Insulated Rings — Insulation Grip



CAT. NO.	PKG. QTY.	WIRE RANGE	MAX. INS.	BOLT HOLE	REC. TOOL	DIMENSIONS				STOCK THICK.
						A	B	C	M	
RAT853	1,000	22-18	.140	#6	WT145C	.81	.25	.25	.69	.03
RAT863	1,000	22-18	.140	#8		.84	.31	.25	.69	
RAT873	1,000	22-18	.140	#10		.84	.31	.25	.69	
RAT713	1,000	22-18	.140	1/4"		1.07	.46	.31	.84	
RBT853	1,000	16-14	.170	#6		.84	.31	.25	.69	
RBT863	1,000	16-14	.170	#8		.84	.31	.25	.69	
RBT873	1,000	16-14	.170	#10		.84	.31	.25	.69	
RBT713	1,000	16-14	.170	1/4"		1.08	.46	.31	.81	
RCT333	500	12-10	.210	#6		1.00	.37	.27	.81	.04
RCT863	500	12-10	.210	#8		1.00	.37	.27	.81	
RCT363	500	12-10	.210	#10		1.00	.37	.27	.81	
RCT713	500	12-10	.210	1/4"		1.11	.52	.32	.85	
RCT703	500	12-10	.210	5/16"	1.23	.52	.31	.96		
RCT733	500	12-10	.210	3/8"	1.29	.58	.35	1.00		

Tefzel® is a registered trademark of DuPont.