

Conduit Bodies, Covers & Gaskets
T&B Catalog Number:

AE-1

UPC Number:

04226930250

Status:

Active

Description:

1/2 inch Threaded Die Cast Aluminum Conduit Body-Dead-End. For Use with Rigid/IMC Conduit.

Features

Retained stainless steel cover screws

Smooth throats for easy wire pulling

Spacious, accessible wiring chamber provides a convenient location to pull conductors and make splices.

Application

For use with rigid/IMC conduit

Threaded conduit bodies maintain a weather resistant conduit system when used with covers and gaskets.

General

Trade Size (inches)	1/2
Material	Die Cast Aluminum
Volume (cu.in.)	4.3

Dimension Information

A (inches)	3 7/8
B (inches)	4 3/8
C (inches)	1 21/64
D (inches)	1 3/8
E (inches)	2 13/32
F (inches)	2 1/16
G (inches)	13/16

Accessories & Components

Cover-Die Cast	CV-1
Cover-Stamped Aluminum	SCV-1
Gasket-Composition	GKV-1
Gasket-Neoprene	GKN-1

Packaging

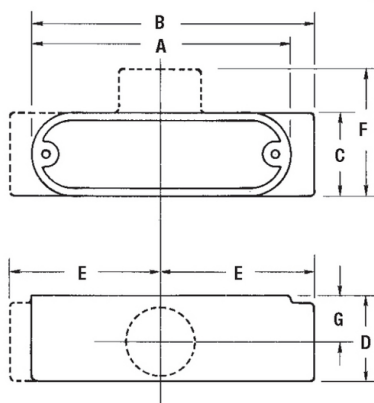
T&B Order Multiple	10
T&B Inner Pack	10
Package in Units	50
T&B Sold in UOM	Each
T&B Weight Per UOM	26.81 lbs. per 100

Application Support

Product Selector	lc_rigidimc_cbody_dc
Product Overview	Available on Website
D-Pak Merchandising System	Available on Website

Certifications

RoHS Compliance	Yes
-----------------	-----



Certifications



File Nbr:
E 28688

For further technical assistance, please contact us...

Thomas & Betts - USA
8155 T&B Blvd.
Memphis, TN 38125
www.tnb.com

T&B Technical Support
MS 3B-50
8155 T&B Blvd.
Memphis, TN 38125

Hours: 7AM - 6PM CDT
Monday-Friday
Phone: (888) 862-3289
Fax: (901) 252-1321
Email: techsupport@tnb.com