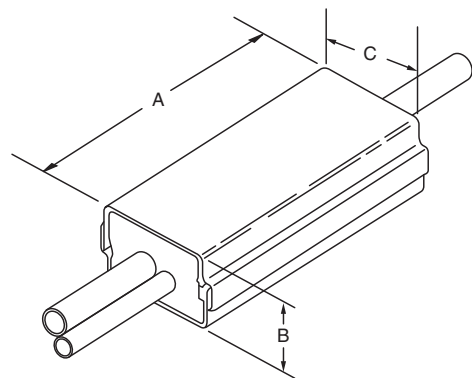


Splice Insulators & Insulating Covers



H-Tap Insulating Covers (Hard Covers)

- Interlocking insulating covers for H-type compression taps
- Easy installation: Place the H-Tap in the cover and snap the cover closed
- Consult factory for flame-retardant version
- Can also be used on C-Taps



CAT. NO.	NOMINAL DIMENSIONS IN./MM.			STD. PKG. QTY.
	A (LENGTH)	B (THICKNESS)	C (WIDTH)	
HTC2S	2	1.13	1.44	15
HTC2	3.5	1.13	1.44	15
HTC40	4.25	1.56	2	2
HTC40L2	5.75	1.56	2	2
HTC500	6	1.75	2.75	8
HTC1000	7	2.38	3.88	2
HTC1000L	10	2.38	3.88	3

Order multiple is std. pkg.

Specifications

- HTC2 and HTC2S use insulation wrap instead of end cushions for inner seal.
- Connector Cat. Nos. 54755 through 54790 and 63148 through 63180 require hydraulic crimping tools. Refer to instruction sheets.
- Outer Hard Shell Covers: High-impact black thermoplastic (Noryl) Flammability Class, UL 94V-1
- Inner seal: Black neoprene sponge soft closed cell, oxygen index 28% UL 94 HBF
- Temperature Rating: 90° C Maximum
- Voltage Rating: 600V Maximum
- Uses insulation wrap instead of end cushions for inner seal

NOTE: Insulation covers are not reusable

For H-Tap Applications

COVER CAT. NO.	AL/CU H-TAP NO.	CU H-TAP
HTC2	63105	—
HTC2S	—	CHT814-10
HTC40	63110	CHT214-9
	63118	CHT250214-8
	63125	CHT2514-7
	63140	CHT2502-6
	63148	CHT50010-5/CHT50040-4
HTC500	63160	CHT75010-3/CHT750350-2
HTC1000L	63170	—
HTC1000	63180/63169	CHT750350-1F

For C-Tap Applications

COVER CAT. NO.	C-TAP NO.	COLOR CODE
HTC40	54720	Brown
	54725	Green
	54730	Pink
	54755	Blue
	54760	Brown
HTC40L2	54735	Black
	54740	Orange
	54745	Purple
	54750	Yellow
	54765	Pink
HTC500	54770	Black
	54775	Yellow
	54780	White
	54785	—
	54790	—
HTC1000	54790	—