

Carlton®

Rigid Non-Metallic FS & FD Boxes & Covers

T&B Catalog Number:

E9812F

UPC Number:

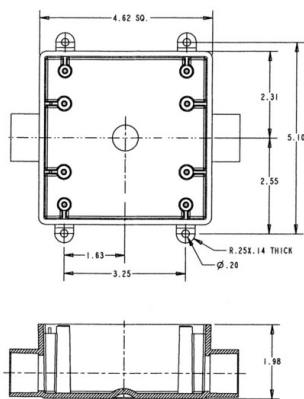
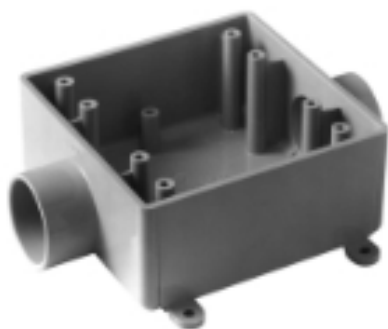
03448105098

Status:

Active

Description:

1 inch non-metallic two gang FS box, 32 cuin, type 2FSC.



Features

All sizes take standard covers and accessories or devices.

Integral mounting feet provide easy mounting.

Application

For through terminations where two devices or additional wiring capacity is required.

General

Material Non-Metallic

Volume (cu.in.) 32

Number of Gangs 2

Dimension Information

Size (inches) 1

Packaging

T&B Order Multiple 10

Package in Units 10

T&B Sold in UOM Each

T&B Weight Per UOM 0.51 lbs. Each

Application Support

T&B Sales Drawings wsd-ac03677

Product Overview-Rigid Non-metallic FS Boxes & Covers Available on Website

Boxes & Covers

Certifications

RoHS Compliance Yes

Certifications



File Nbr:

E 42728

For further technical assistance, please contact us...

Thomas & Betts - USA
8155 T&B Blvd.
Memphis, TN 38125
www.tnb.com

T&B Technical Support
MS 3B-50
8155 T&B Blvd.
Memphis, TN 38125

Hours: 7AM - 6PM CDT
Monday-Friday
Phone: (888) 862-3289
Fax: (901) 252-1321
Email:techsupport@tnb.com