

Carlton®

Rigid Non-Metallic Conduit Fittings & Accessories

T&B Catalog Number:

E978JC-CAR

UPC Number:

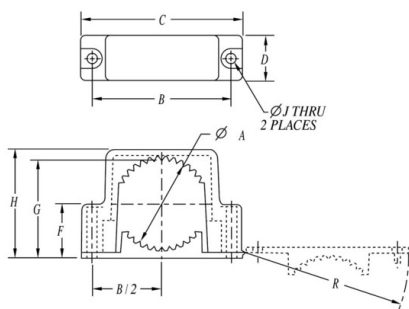
03448113067

Status:

Active

Description:

2 inch non-metallic double mount conduit support strap.



Features

High strength, non-metallic clamp allows conduit to expand and contract freely, eliminating the bowing commonly seen from the expansion and contraction of conduit caused by varying temperature changes.

Carlton's Snap Strap offers a unique support strap designed especially for the installation of PVC conduit.

Also usable for installations of rigid steel.

Finished installations have a neat, attractive appearance on exposed applications.

Application

UV inhibited for use in direct sunlight

To be used in accordance with conduit spacing requirements per NEC, Section 352.30.

General

Trade Size (inches)	2
Material	Non-Metallic

Dimension Information

A (mm)	59.44
B (mm)	88.9
C (mm)	101.6
D (mm)	25.4
F (mm)	33.3
A (inches)	2.34
B (inches)	3.5
C (inches)	4
D (inches)	1
F (inches)	1.31
G (inches)	2.48
H (inches)	2.86
H (mm)	72.64
J (inches)	0.218
R (inches)	4.06

Packaging

T&B Order Multiple	10
Package in Units	10
T&B Sold in UOM	Each
T&B Weight Per UOM	0.12 lbs. Each

Application Support

T&B Sales Drawings	wsd-ac03030
Specifications & Applications	Available on Website

For further technical assistance, please contact us...

Thomas & Betts - USA
8155 T&B Blvd.
Memphis, TN 38125
www.tnb.com

T&B Technical Support
MS 3B-50
8155 T&B Blvd.
Memphis, TN 38125

Hours: 7AM - 6PM CDT
Monday-Friday
Phone: (888) 862-3289
Fax: (901) 252-1321
Email: techsupport@tnb.com