

# Carlton®

**Rigid Non-Metallic Conduit Fittings & Accessories**  
**T&B Catalog Number:**

E978GC-CAR

**UPC Number:**

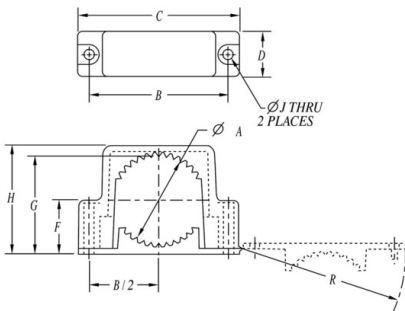
03448113065

**Status:**

Active

**Description:**

1-1/4 inch non-metallic double mount conduit support strap.



## Features

High strength, non-metallic clamp allows conduit to expand and contract freely, eliminating the bowing commonly seen from the expansion and contraction of conduit caused by varying temperature changes.

Carlton's Snap Strap offers a unique support strap designed especially for the installation of PVC conduit.

Also usable for installations of rigid steel.

Finished installations have a neat, attractive appearance on exposed applications.

## Application

UV inhibited for use in direct sunlight

To be used in accordance with conduit spacing requirements per NEC, Section 352.30.

## General

Trade Size (inches)	1 1/4
Material	Non-Metallic

## Dimension Information

A (mm)	42.16
B (mm)	69.9
C (mm)	82
D (mm)	25.4
F (mm)	24.1
A (inches)	1.66
B (inches)	2.75
C (inches)	3.23
D (inches)	1
F (inches)	0.95
G (inches)	1.78
H (inches)	2.15
H (mm)	54.61
J (inches)	0.218
R (inches)	3.28

## Packaging

T&B Order Multiple	15
Package in Units	15
T&B Sold in UOM	Each
T&B Weight Per UOM	0.08 lbs. Each

## Application Support

T&B Sales Drawings	wsd-ac03030
Specifications & Applications	Available on Website

**For further technical assistance, please contact us...**

Thomas & Betts - USA  
8155 T&B Blvd.  
Memphis, TN 38125  
[www.tnb.com](http://www.tnb.com)

T&B Technical Support  
MS 3B-50  
8155 T&B Blvd.  
Memphis, TN 38125

Hours: 7AM - 6PM CDT  
Monday-Friday  
Phone: (888) 862-3289  
Fax: (901) 252-1321  
Email: [techsupport@tnb.com](mailto:techsupport@tnb.com)