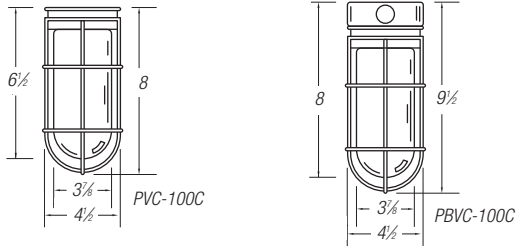


Red•Dot® Vaporproof Fixtures —
UL Listed for Non-Explosive Vapors.

Surface Fixtures



- Rugged aluminum die-cast construction
- Corrosion-resistant, natural cast finish
- All current-carrying components are copper or copper alloy porcelain socket
- Fixtures supplied with heat-resistant glass globes or high-impact LEXAN® globes
- Amber, clear, red and white LEXAN® globes can be ordered separately
- Mount with diffuser facing down

CAT. NO.	DESCRIPTION	MAX. WATTS	PACKAGING	
			BOX	STD. CTN.
PVC-100C	Fixture and Clear LEXAN® Globe	100	1	12
PBVC-100C	Fixture, Box and Clear LEXAN® Globe	100	1	12

Fits all 3" and 4" Round or Octagon Boxes

* UL Listed E-77360.

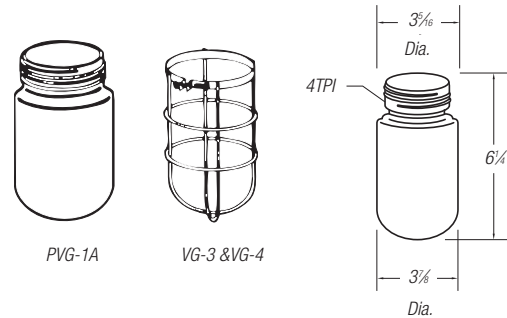
CSA Certified LR-95792.

LEXAN® is a registered trademark of SABIC Innovative Plastics Company.

Vaporproof Fixtures — Globes and Guards.

Vaporproof Fixture Globes and Guards Replacements

- Heat-resistant glass globes or high-impact LEXAN®
- Amber, clear, red and white LEXAN® globes can be ordered separately



CAT. NO.	DESCRIPTION	PACKAGING	
		BOX	STD. CTN.
PVG-1A*	Amber LEXAN® Globe for 100-Watt Fixtures	1	12
PVG-1C*	Clear LEXAN® Globe for 100-Watt Fixtures	1	12
PVG-1R*	Red LEXAN® Globe for 100-Watt Fixtures	1	12
PVG-1W*	White LEXAN® Globe for 100-Watt Fixtures	1	12
VG-3	Guard for 100-Watt Fixtures	1	12
VG-4	Guard for 200-Watt Fixtures	1	6

* UL Listed E-77360.

LEXAN® is a registered trademark of SABIC Innovative Plastics Company.