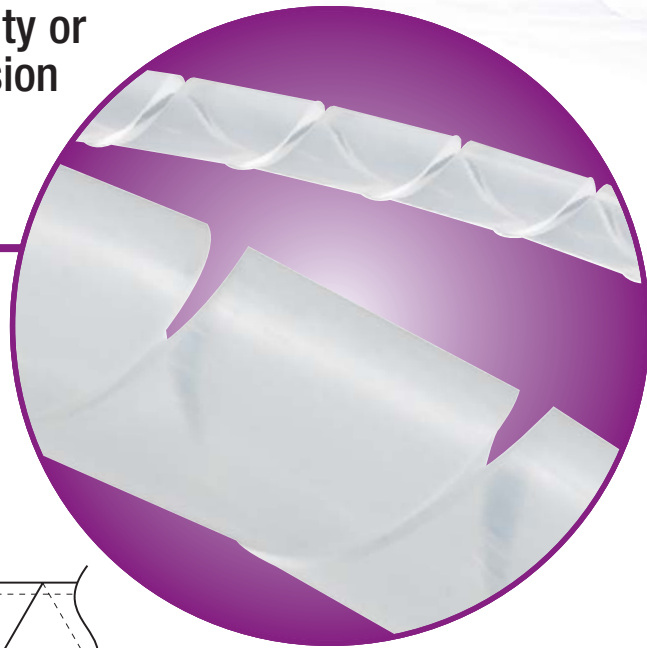
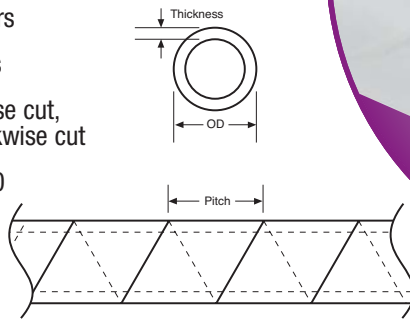


Install with gaps for greater flexibility or butted together for maximum abrasion resistance, insulation and rigidity!

### Spiral Wrap

- Packaged in 100 foot reels
- Protects bundles from .063" to 7" (1.6 mm to 177.8 mm) diameters
- Available in three material types
- Also commonly known as reverse cut, left-handed cut or counter-clockwise cut
- For use with cutting tool SR-100 (see page D-53)
- UL 94 HB Flammability Rating



STD. PKG. CAT. NO.	MATERIAL	OUTSIDE DIAMETER		NOMINAL WALL THICKNESS	MINIMUM/MAXIMUM BUNDLE RANGE		REEL QTY.
		IN./MM.	PITCH IN./MM.		IN./MM.	IN./MM.	
SRPE-125-9-C	Natural Polyethylene	.13/3.18	.21/5.33	.04/.89	.06/1.60	.50/12.70	1 (100 ft.)
SRPE-187-9-C	Natural Polyethylene	.19/4.75	.24/6.10	.04/1.02	.13/3.18	1.50/38.10	1 (100 ft.)
SRPE-250-9-C	Natural Polyethylene	.25/6.35	.38/9.53	.05/1.14	.19/4.78	2.00/50.80	1 (100 ft.)
SRPE-375-9-C	Natural Polyethylene	.38/9.53	.44/11.13	.05/1.32	.31/7.95	3.00/76.20	1 (100 ft.)
SRPE-500-9-C	Natural Polyethylene	.50/12.70	.56/14.30	.06/1.57	.38/9.53	4.00/101.60	1 (100 ft.)
SRPE-625-9-C	Natural Polyethylene	.63/15.88	.63/15.88	.06/1.57	.63/15.88	4.50/114.30	1 (100 ft.)
SRPE-750-9-C	Natural Polyethylene	.63/15.88	.75/19.05	.07/1.65	.75/19.05	5.00/127.00	1 (100 ft.)
SRPE-1000-9-C	Natural Polyethylene	1.00/25.40	1.11/28.19	.70/17.78	1.0/25.40	7.00/177.80	1 (100 ft.)
SRPE-125-0-C	Weatherable Black Polyethylene	.13/3.18	.21/5.33	.04/.89	.06/1.60	.50/12.70	1 (100 ft.)
SRPE-187-0-C	Weatherable Black Polyethylene	.19/4.75	.24/6.10	.04/1.02	.13/3.18	1.50/38.10	1 (100 ft.)
SRPE-250-0-C	Weatherable Black Polyethylene	.25/6.35	.38/9.53	.05/1.14	.19/4.78	2.00/50.80	1 (100 ft.)
SRPE-375-0-C	Weatherable Black Polyethylene	.38/9.53	.44/11.13	.05/1.32	.31/7.95	3.00/76.20	1 (100 ft.)
SRPE-500-0-C	Weatherable Black Polyethylene	.50/12.70	.56/14.30	.06/1.57	.38/9.53	4.00/101.60	1 (100 ft.)
SRPE-625-0-C	Weatherable Black Polyethylene	.63/15.88	.63/15.88	.06/1.57	.63/15.88	4.50/114.30	1 (100 ft.)
SRPE-750-0-C	Weatherable Black Polyethylene	.63/15.88	.75/19.05	.07/1.65	.75/19.05	5.00/127.00	1 (100 ft.)
SRPE-1000-0-C	Weatherable Black Polyethylene	1.00/25.40	1.11/28.19	.70/17.78	1.0/25.40	7.00/177.80	1 (100 ft.)
SRNY-187-9-C	Natural Nylon 6.6	.19/4.75	.24/6.10	.03/.64	.13/3.18	1.50/38.10	1 (100 ft.)
SRNY-250-9-C	Natural Nylon 6.6	.25/6.35	.38/9.53	.03/.64	.19/4.75	2.00/50.80	1 (100 ft.)
SRNY-375-9-C	Natural Nylon 6.6	.38/9.53	.44/11.13	.04/.89	.31/7.92	3.00/76.20	1 (100 ft.)
SRNY-500-9-C	Natural Nylon 6.6	.50/12.70	.56/14.30	.04/.89	.38/9.53	4.00/101.60	1 (100 ft.)

Sold in 100-ft. rolls.

#### Polyethylene

Available in natural and weatherable black. For general indoor use to 122° F (50° C). Material is flexible and easy to work with.

#### Weatherable Polyethylene

Available in black only. Designed to resist ultraviolet light in outdoor applications.

#### Flame-Retardant Polyethylene

Available in white only. Material is UL® 94 V-0 rated. More economical and less rigid than nylon.

#### Nylon 6.6

Available in natural only. Offers highest abrasion resistance and rigidity. Self-extinguishing to UL 94 HB and a UL Recognized Component.

#### Fluoropolymer

Available in opaque color. Excellent resistance to harsh environments 338° F (170° C) max operating temperature.